



Acura, Honda, Isuzu **Multi Kit 1988-2006**

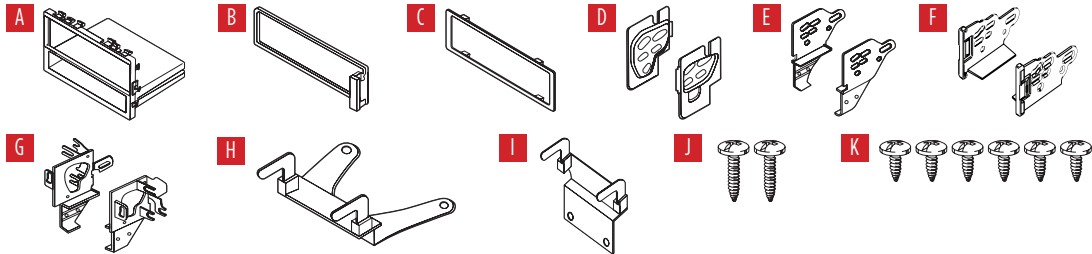
Visit MetraOnline.com for more detailed information about the product and up-to-date vehicle specific applications

KIT FEATURES

- ISO DIN radio provision
- ISO DDIN radio provision

KIT COMPONENTS

- A) Radio housing (a) • B) Radio housing (b) • C) Trim plate (a) • D) ISO spacers • E) ISO brackets (a) • F) ISO brackets (b) • G) Radio brackets
- H) Rear support bracket (a) • I) Rear support bracket (b) • J) (2) #8 x 3/4" Phillips pan head screws • K) (6) #8 x 3/8" Phillips pan head screws



APPLICATIONS

See page 2

TABLE OF CONTENTS

See page 2

WIRING & ANTENNA CONNECTIONS

Sold separately

TOOLS REQUIRED

- Phillips screwdriver • 8mm socket wrench
- Panel removal tool • Cutting tool

Attention! With the key out of the ignition, disconnect the negative battery terminal before installing this product. Ensure that all installation connections are secure before cycling the ignition to test this product.

APPLICATIONS

Acura

CL	1997-1999
Integra	1990-2001
Legend	1990-1996
RSX (except "S" model)	2002-2006
TL	1996-1998
Vigor	1992-1994

Honda

Accord	1990-2002
Civic	1996-2000
Civic SE	2005
CRV	1997-2006
Odyssey (without nav)	1995-2004
Prelude	1988-2001

Isuzu

Oasis	1996-1999
-------------	-----------

TABLE OF CONTENTS

Dash Disassembly

Acura

- CL 1997-1999	3
- Integra 1990-1993	3
- Integra 1994-2001	3-4
- Legend 1990-1996	4
- RSX 2002-2006 (except "S" model)	4-5
- TL 1996-1998	5
- Vigor 1992-1994	5

Honda

- Accord 1990-1993	6
- Accord 1994-1997	6
- Accord 1998-2002	7
- Civic 1996-1998	7
- Civic 1999-2000	8

Honda (cont.)

- Civic SE 2005 (only)	9
- CRV 1997-2001	10
- CRV 2002-2006	10
- Oasis 1996-1999	11
- Odyssey 1995-1998	11
- Odyssey 1999-2004	11
- Prelude 1988-1991	12
- Prelude 1992-1996	12
- Prelude 1997-2001	13

Kit Assembly

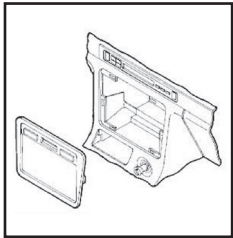
- DIN radio provision	13-14
- ISO DIN radio provision	15

DASH DISASSEMBLY

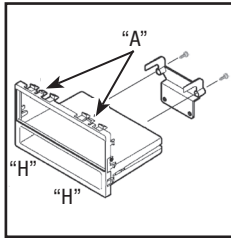
Acura CL 1997-1999

1. Unclip the radio trim bezel and disconnect the clock and climate control wiring. (Figure A)
2. Remove (2) 8mm hex head screws securing the factory radio and disconnect the wiring.
3. Cut and remove all of the mounting clips on **radio housing (a)** EXCEPT clips "A" and "H" (the clips can be identified by the stamped letter near each clip). (Figure B)
4. Mount the **rear support bracket (a)** to the back of **radio housing (b)** with (2) #8 x 3/8" Phillips pan head screws supplied. (Figure B)

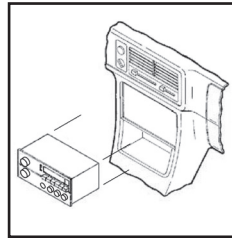
Continue to Kit Assembly



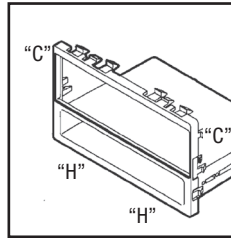
(Figure A)



(Figure B)



(Figure A)



(Figure B)

Acura Integra 1990-1993

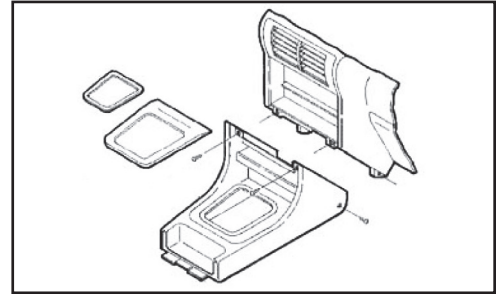
1. Remove (3) screws from each side of the center console and remove the console.
2. Remove (2) screws securing the factory radio to the sub-dash support bracket. Slide the radio/pocket assembly out and disconnect the wiring. (Figure A)
3. Cut and remove all of the mounting clips on **radio housing (a)** EXCEPT clips "C" and "H" (the clips can be identified by the stamped letter near each clip). (Figure B)

Continue to Kit Assembly

Acura Integra 1994-2001

1. Remove the cover cap located under the emergency brake and remove (2) screws exposed.
2. Remove (2) screws from the rear corners of the lower dash trim bezel and remove.
3. Remove the ashtray and (2) screws exposed.
4. Unsnap the ashtray housing and disconnect the cigarette lighter harness.
5. Remove the gear shifter knob and unsnap the shifter trim.

Continued on the next page



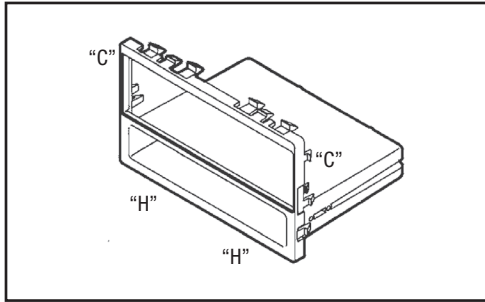
(Figure A)

DASH DISASSEMBLY

Acura Integra 1994-2001 (cont.)

6. Remove (2) screws below the radio opening and remove the upper dash trim bezel. (Figure A)
7. Remove (2) 8 mm screws securing the factory radio and disconnect the wiring.
8. Cut and remove all of the mounting clips on **radio housing (a)** EXCEPT clips "C" and "H" (the clips can be identified by the stamped letter near each clip). (Figure B)

Continue to Kit Assembly

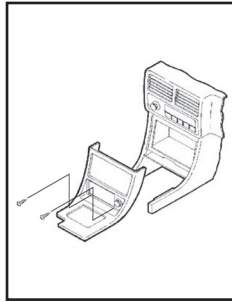


(Figure A)

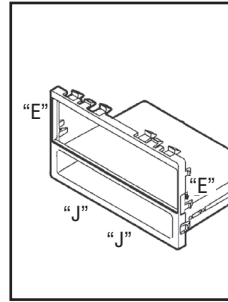
Acura Legend 1990-1996

1. Remove (2) screws below the ashtray. (Figure A)
2. Unclip the dash trim bezel.
3. Disconnect the cigarette lighter wiring and remove the bezel.
4. Remove (2) bolts securing the rear of the factory radio and disconnect the wiring.
5. Cut and remove all of the mounting clips on **radio housing (a)** EXCEPT clips "E" and "J" (the clips can be identified by the stamped letter near each clip). (Figure B)

Continue to Kit Assembly



(Figure A)

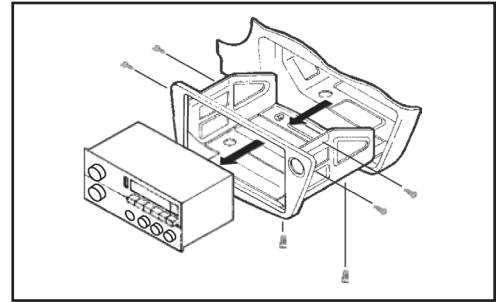


(Figure B)

Acura RSX 2002-2005 (except "S" model)

1. Unclip the lower dash panel (containing the power outlet) and remove the panel.
2. Reach into the opening and remove (2) Phillips screws from the base of the factory radio.
3. Slide the factory radio (with bracket assembly) from the dash and disconnect the wiring. (Figure A)
4. Remove (4) Phillips screws securing the factory radio to the bracket assembly and remove the radio (if a factory pocket is present, remove (4) Phillips screws securing the pocket to the bracket assembly and remove). (Figure A)

Continued on the next page



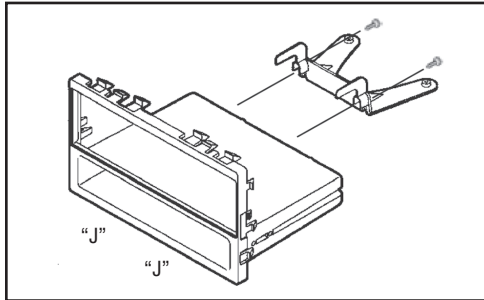
(Figure A)

DASH DISASSEMBLY

Acura RSX 2002-2005 (except "S" model) (cont.)

5. Cut and remove the all mounting clips on **radio housing (a)** EXCEPT clips "J" (the clips can be identified by the stamped letter near each clip). (Figure B)
6. Mount the **rear support bracket (b)** to the back of **radio housing (a)** with (2) #8 x 3/8" Phillips pan head screws supplied.

Continued on the next page

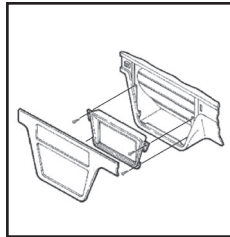


(Figure B)

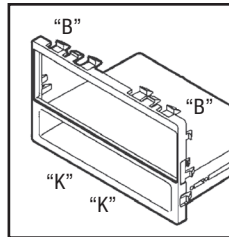
Acura TL 1996-1998

1. Using a small screwdriver, unclip the perimeter of the radio trim bezel. (Figure A)
2. Disconnect the climate control and rear defroster wiring and remove the bezel.
3. Remove (4) Phillips screws securing the factory radio/trim bezel assembly. (Figure A)
4. Loosen (2) Phillips screws securing the back of the radio to the metal housing and slide the radio out (it is not necessary to remove the screws securing the metal).
5. Disconnect the wiring.
6. Cut and remove all of the mounting clips on **radio housing (a)** EXCEPT clips "B" and "K" (the clips can be identified by the stamped letter near each clip). (Figure B)

Continue to Kit Assembly



(Figure A)

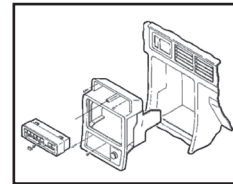


(Figure B)

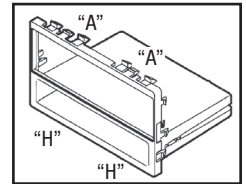
Acura Vigor 1992-1996

1. Remove the access cap from the climate control cluster and (1) screw exposed. (Figure A)
2. Unclip the cluster and remove (2) screws exposed. (Figure A)
3. Remove the ashtray and (2) Phillips screws exposed.
4. Remove the cover caps from each front corner of the center console and the screws exposed.
5. Open the storage compartment, lift up the carpet and remove (2) screws exposed.
6. Lift up on the center console and remove. Unclip the radio trim bezel and disconnect the wiring.
7. Remove (2) bolts from the back of the factory radio and disconnect the wiring.
8. Cut and remove all of the mounting clips on **radio housing (a)** EXCEPT clips "A" and "H" (the clips can be identified by the stamped letter near each clip). (Figure B)

Continue to Kit Assembly



(Figure A)

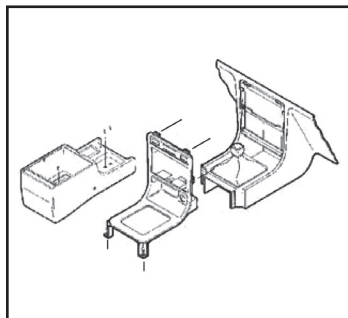


(Figure B)

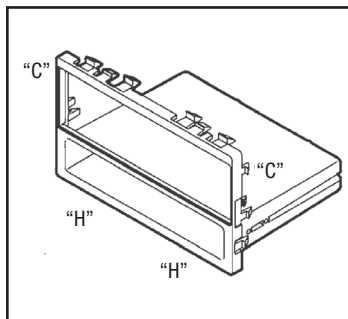
DASH DISASSEMBLY

Honda Accord 1990-1993

1. Remove (4) screws from the lower portion of the center console. (Figure A)
2. Remove the gear shifter knob and lift the console out. Remove the ashtray and ashtray bracket.
3. Remove (2) screws from the bottom of the radio support, slide the radio out and disconnect the wiring.
4. Cut and remove all of the mounting clips on **radio housing (a)** EXCEPT clips "C" and "H" (the clips can be identified by the stamped letter near each clip). (Figure B)



(Figure A)

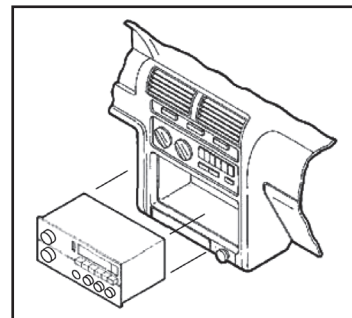


(Figure B)

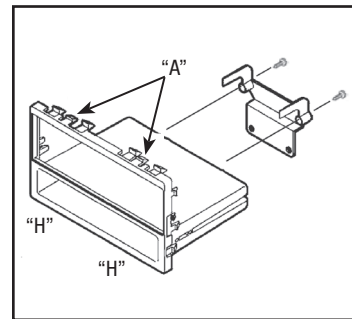
Continue to Kit Assembly

Honda Accord 1994-1997

1. Remove the ashtray and (1) 3/4" #8 Phillips screw exposed. Open the storage compartment and remove (2) #8 Phillips screws exposed.
2. Remove the cup holder tray and (3) #8 Phillips screws inside.
3. Lift the center console out and remove (2) Phillips screws exposed at the base of the dash trim bezel.
4. Unclip the bezel and remove.
5. Remove (2) hex head screws securing the factory radio and disconnect the wiring. (Figure A)
6. Cut and remove all of the mounting clips on **radio housing (a)** EXCEPT clips "A" and "H" (the clips can be identified by the stamped letter near each clip). (Figure B)
7. Mount the **rear support bracket (a)** to the back of the **radio housing (a)** with (2) #8 x 3/8" Phillips pan head screws supplied.



(Figure A)



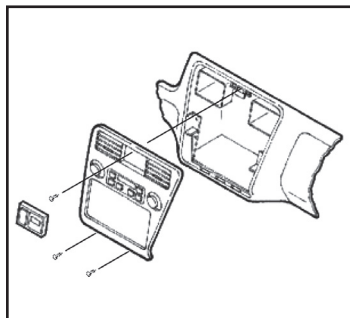
(Figure B)

Continue to Kit Assembly

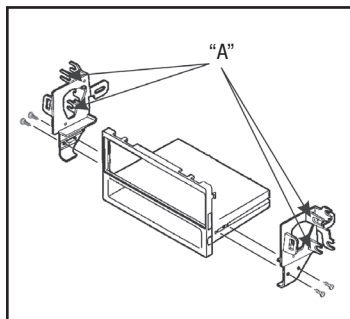
DASH DISASSEMBLY

Honda Accord 1998–2002

1. Unsnap the clock panel, disconnect the wiring and remove. (Figure A)
2. Remove (1) Phillips screw exposed in the clock cavity.
3. Remove (2) Phillips screws below the factory radio.
4. Unclip the radio trim bezel and disconnect the wiring. (Figure A)
5. Remove (4) Phillips screws securing the factory radio assembly and disconnect the wiring.
6. Remove (2) screws securing the factory pocket to the assembly.
7. Cut and remove the mounting clips from **radio housing (a)**.
8. Locate tabs “A” on the **mounting brackets** for mounting, cut and remove tabs “B” (the tabs can be identified by the stamped letter near each tab). (Figure B)
9. Secure the **brackets** to the **housing** with (4) #8 x 3/8” Phillips pan head screws.



(Figure A)



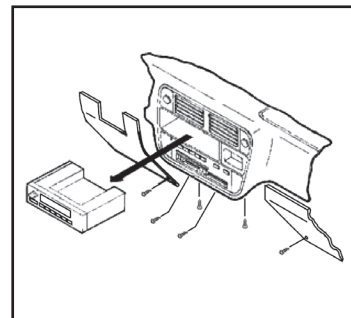
(Figure B)

Continue to Kit Assembly

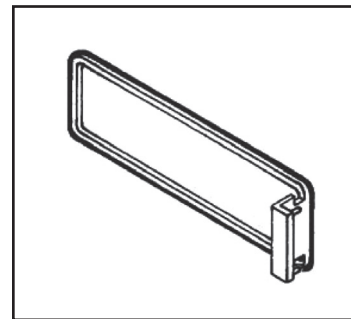
Honda Civic 1996–1998

1. Remove (2) Phillips screws from the bottom edge of the glove box door and remove the door.
2. Remove (3) Phillips screws from the lower steering column panel.
3. Pull straight down on the lower steering column panel and remove the panel.
4. Remove (2) Phillips screws under the climate control panel. (Figure A)
5. Remove (4) Phillips screws from the lower dash location.
6. Remove (2) 8 mm hex head screws securing the bottom-rear of the factory radio and disconnect the wiring.
7. Locate **radio housing (b)**. (Figure B)

Continue to Kit Assembly



(Figure A)

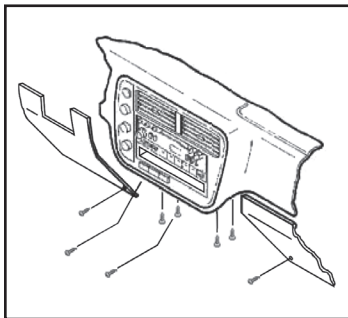


(Figure B)

DASH DISASSEMBLY

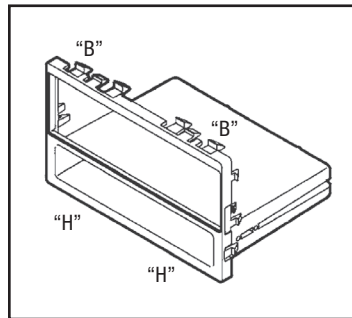
Honda Civic 1999-2000

1. Remove (2) Phillips screws from the bottom edge of the glove box door and remove the door.
2. Remove (3) Phillips screws from the lower steering column panel.
3. Pull straight down on the lower steering column panel and remove the panel.
4. Remove (2) Phillips screws under the climate controls.
5. Remove (4) Phillips screws from the lower dash location. (Figure A)



(Figure A)

6. Remove (4) Phillips screws securing the bottom of the dash trim bezel/radio assembly and pull the assembly out as far as possible.
7. Cut the zip ties securing the radio and climate control wires, slide the dash trim bezel/radio assembly from the dash cavity and disconnect the wiring.
8. Cut and remove all of the mounting clips on **radio housing (a)** EXCEPT clips "B" and "H" (the clips can be identified by the stamped letter near each clip). (Figure B)



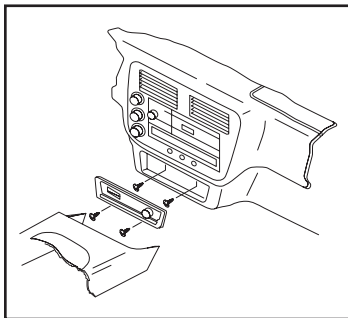
(Figure B)

Continue to Kit Assembly

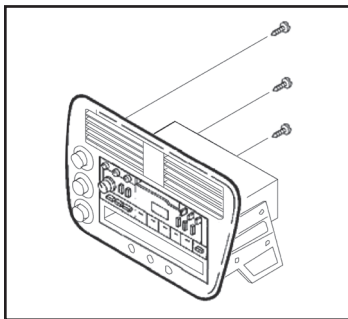
DASH DISASSEMBLY

Honda Civic SE 2005 (only)

1. Unsnap and remove the trim ring from around floor shifter.
2. Unsnap and remove larger trim around floor console shifter.
3. Remove (2) Phillips screws from in between cup holder and shifter. (Figure A)
4. Unsnap sides of console (2 snaps per side) and remove with power outlet assembly.
5. Remove (2) Phillips screws from under radio assembly, facing up. (Figure A)



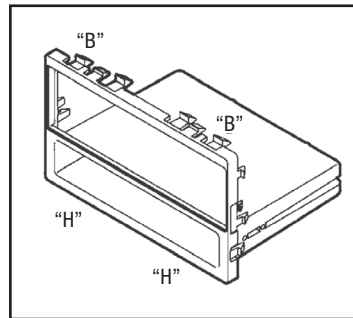
(Figure A)



(Figure B)

6. Remove (3) screws securing the climate control pod to the back of the dash trim bezel and remove the pod. (Figure B)
7. Remove (4) Phillips screws from each side securing the factory radio to the bracket assembly and remove the radio.
8. Cut and remove all mounting clips on **radio housing (a)**, EXCEPT clips "B" and "H" (hooks can be identified by the letter stamped near each clip). (Figure C)

Continue to Kit Assembly

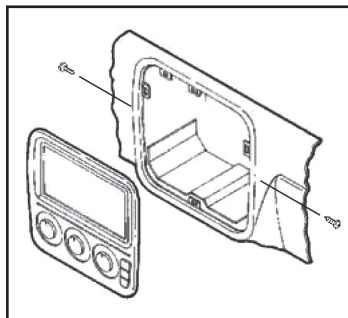


(Figure C)

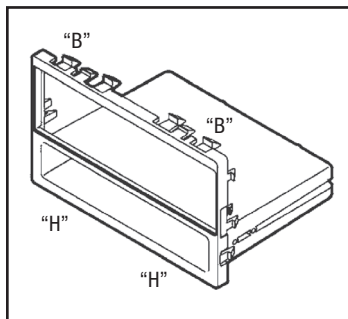
DASH DISASSEMBLY

Honda CR-V 1997-2001

1. Open the glove box, squeeze the retaining clips and remove the stoppers.
2. Lower the glove box and remove (2) Phillips screws from the left edge.
3. Remove (2) Phillips screws from the lower steering column panel and remove.
4. Unclip the lower console cover (below the ashtray and pocket) and remove.
5. Remove (2) Phillips screws from the base of the center console, open the console pocket and remove the (4) outer screws exposed.
6. Unclip the center console and remove.
7. Remove (2) Phillips screws securing the radio trim bezel, disconnect the wiring, and remove the trim bezel/radio assembly. (Figure A)
8. Remove (4) Phillips screws securing the radio to the bezel and remove.
9. Cut and remove all of the mounting clips on **radio housing (a)** EXCEPT clips "B" and "H" (the clips can be identified by the stamped letter near each clip). (Figure B)



(Figure A)



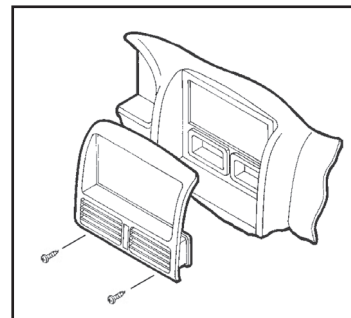
(Figure B)

Continue to Kit Assembly

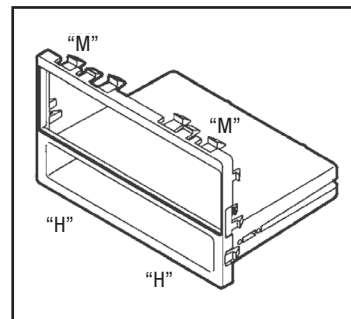
Honda CR-V 2002-2006

1. Remove (2) Phillips screws from the bottom edge of the radio trim bezel. (Figure A)
2. Unclip the trim bezel and remove.
3. Remove (4) Phillips screws securing the factory radio and disconnect the wiring.
4. Cut and remove all of the mounting clips on **radio housing (a)** EXCEPT clips "M" and "H" (the clips can be identified by the stamped letter near each clip). (Figure B)

Continue to Kit Assembly



(Figure A)



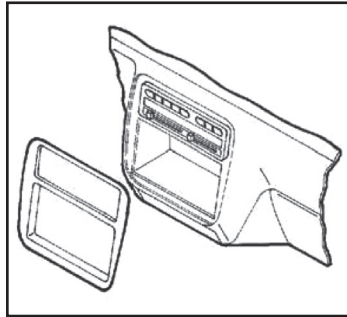
(Figure B)

DASH DISASSEMBLY

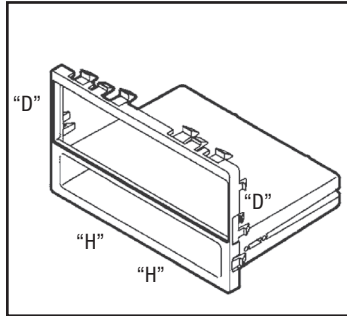
Honda Odyssey 1995-1998 Isuzu Oasis 1996-1999

1. Lower the glove box assembly.
2. Remove (2) Phillips screws exposed on the right side of the underdash.
3. Remove (2) Phillips screws from the driver's side knee bolster and (1) Phillips screw in the coin pocket.
4. Remove (5) Phillips screws from the underdash panel and remove the panel. (Figure A)
5. Remove (4) Phillips screws from the cupholder assembly and remove.
6. Remove (2) Phillips screws securing the factory radio and disconnect the wiring.
7. Cut and remove all of the mounting clips on **radio housing (a)** EXCEPT clips "D" and "H" (the clips can be identified by the stamped letter near each clip). (Figure B)

Continue to Kit Assembly



(Figure A)

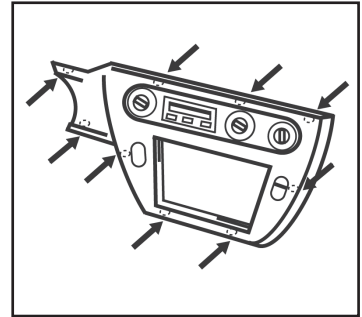


(Figure B)

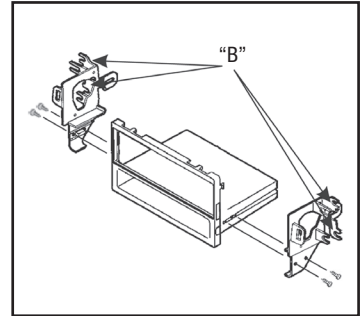
Honda Odyssey 1999-2004

1. Unclip the radio trim bezel (including the climate control panel) and remove. (Figure A)
2. Remove (4) Phillips screws securing the factory radio and disconnect the wiring.
3. Cut and remove the mounting clips from **radio housing (a)**.
4. Locate tabs "B" on the **mounting brackets** for mounting, cut and remove tabs "A" (the tabs can be identified by the stamped letter near each tab). (Figure B)
5. Secure the **brackets** to the **housing** with (4) #8 x 3/8" Phillips pan head screws. (Figure B)

Continue to Kit Assembly



(Figure A)



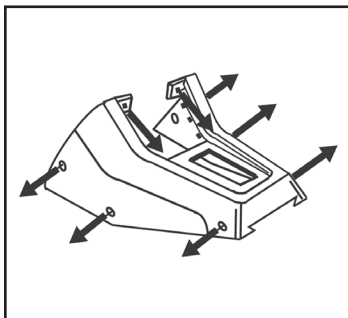
(Figure B)

DASH DISASSEMBLY

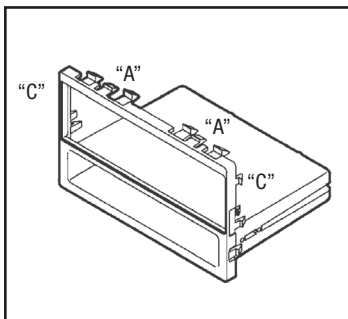
Honda Prelude 1988-1991

1. Remove (2) Phillips screws located below the climate controls. (Figure A)
2. Remove (1) Phillips screw from each side of the dash console and (2) Phillips screws from each side of the floor console. (Figure A)
3. Remove the plastic dummy cap from the end of the dash console and (2) Phillips screws exposed. (Figure A)
4. Pull the floor console out and gently remove the dash console.
5. Remove (6) Phillips screws securing the factory radio and disconnect the wiring.
6. Cut and remove all of the mounting clips on **radio housing (a)** EXCEPT clips "A" and "C" (the clips can be identified by the stamped letter near each clip). (Figure B)

Continue to Kit Assembly



(Figure A)

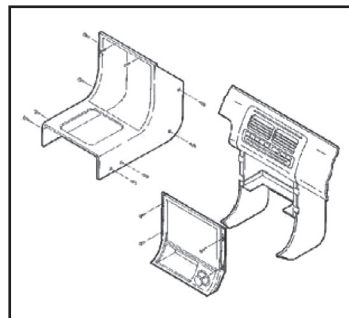


(Figure B)

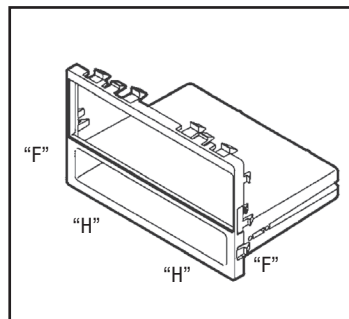
Honda Prelude 1992-1996

1. Remove (2) screws from the top of the console trim bezel.
2. Slide the front seats back and remove (4) Phillips screws from each side of the bezel. (Figure A)
3. Pull up on the console trim bezel and remove.
4. Using an angled screwdriver, remove (2) screws securing the gear shifter bracket to the bezel.
5. Remove (4) screws from the radio trim bezel, remove the factory radio assembly and disconnect the wiring. (Figure A)
6. Cut and remove all of the mounting clips on **radio housing (a)** EXCEPT clips "F" and "H" (the clips can be identified by the stamped letter near each clip). (Figure B)

Continue to Kit Assembly



(Figure A)



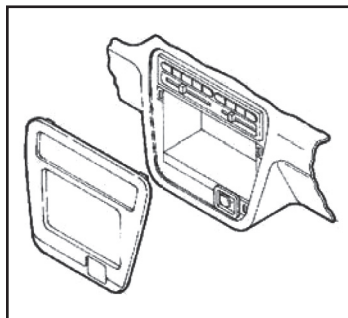
(Figure B)

DASH DISASSEMBLY

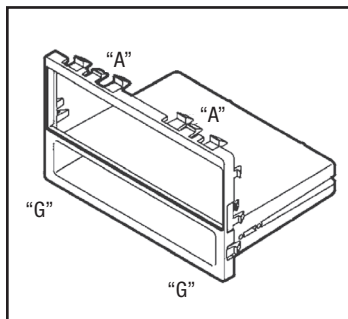
Honda Prelude 1997-2001

1. Remove (2) Phillips screws located below. Using a panel removal tool, unclip the radio trim bezel and remove (some force may be required). (Figure A)
2. Remove (4) Phillips screws securing the factory radio/bracket housing assembly and disconnect the wiring.
3. Remove (4) Phillips screws securing the factory radio to the bracket housing and remove.
4. Cut and remove all of the mounting clips on **radio housing (a)** EXCEPT clips "A" and "G" (the clips can be identified by the stamped letter near each clip). (Figure B)

Continue to Kit Assembly



(Figure A)



(Figure B)

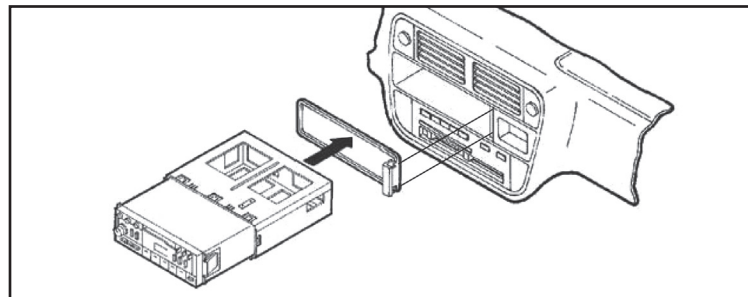
KIT ASSEMBLY

For the Honda Civic 1996-1998 follow the next (6) steps. For all other applications, either proceed to page 14 for DIN radio installations, or page 15 for ISO DIN radio installations:

1. Position the **radio housing (b)** in the radio opening by inserting the locating pins on the housing into the holes in the sub-dash. (Figure A)

Note: if a radio dummy plate was removed during the dash disassembly, cut and remove the locating pins on the **radio housing**.

2. Remove the metal DIN sleeve from the aftermarket radio.
3. Slide the sleeve into the kit and secure by bending the metal locking tabs down.
4. Locate the factory wiring harness in the dash. Metra recommends using the proper mating adapter from Metra or AXXESS. Test the radio for proper operation.
5. Slide the radio back into the sleeve until it clicks in. (Figure A)
6. Reassemble the dash in reverse order of disassembly.

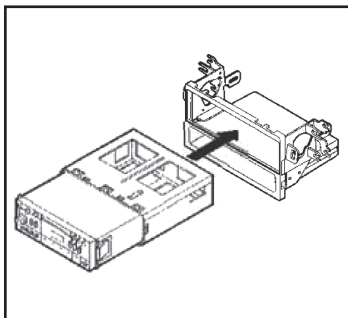


(Figure A)

KIT ASSEMBLY

For the Honda Accord 1998-2002 / Odyssey 1999-2002 follow the next (6) steps. For all other applications skip to All Other Models:

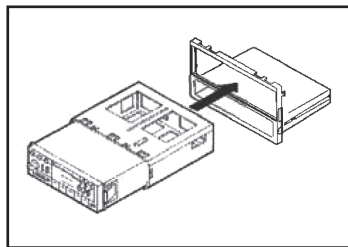
1. Secure the **radio brackets to radio housing (a)** using (4) #8 X 3/4" screws Phillips pan head screws provided.
2. Remove the metal DIN sleeve from the aftermarket radio.
3. Slide the sleeve into the assembly and secure by bending the metal locking tabs down. (Figure A)
4. Slide the radio back into the sleeve until it click in.
5. Locate the factory wiring harness in the dash. Metra recommends using the proper mating adapter from Metra or AXCESS. Test the radio for proper operation.
6. Reassemble the dash in reverse order of disassembly.



(Figure A)

All other models:

1. Remove the metal DIN sleeve from the aftermarket radio.
2. Slide the sleeve into **radio housing (a)** and secure by bending the metal locking tabs down.
Note: For the Honda Civic 2001-2005 (non "si" model), use **radio housing (b)** instead.
3. Slide the radio back into the sleeve until it clicks in. (Figure A)
4. Locate the factory wiring harness in the dash. Metra recommends using the proper mating adapter from Metra or AXCESS. Test the radio for proper operation.



(Figure A)

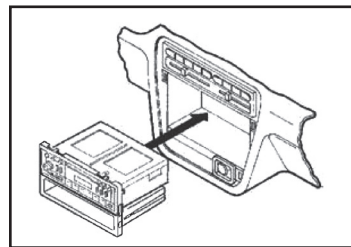
5. Reassemble the dash in reverse order of disassembly.

For the Honda Accord 1994-1997 and Acura CL 1997-1999:

Mount the **rear support bracket (b)** to the rear support provision with (2) bolts previously removed in dash disassembly. (Figure B)

For the Acura RSX 2002-2006:

Mount **rear support bracket (a)** to the rear support provision with (2) #8 x 7/8" Phillips pan head screws included. (Figure B)

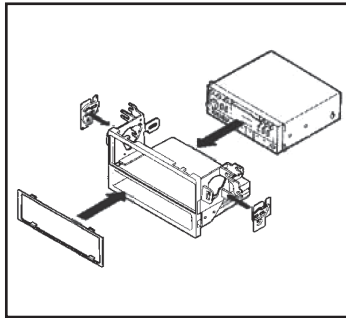


(Figure B)

KIT ASSEMBLY

For the Honda Accord 1998–2002 / Odyssey 1999–2002 follow the next (6) steps. For all other applications skip to All Other Models:

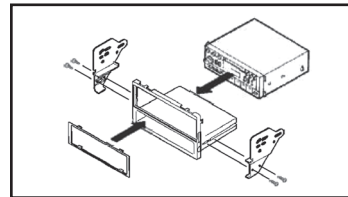
1. Secure the **radio brackets** to **radio housing (a)** using (4) #8 X 3/4" screws Phillips pan head screws provided.
2. Attach the **ISO spacers** onto the sides of the **radio brackets**, and snap **trim plate (a)** into the **radio housing**. (Figure A)
3. Remove the metal DIN sleeve and trim ring from the aftermarket radio.
4. Slide the radio into the assembly and align the holes in the radio, with the holes in the **ISO spacers**. Secure with screws supplied with the radio.
5. Locate the factory wiring harness in the dash. Metra recommends using the proper mating adapter from Metra or AXXESS. Test the radio for proper operation.
6. Reassemble the dash in reverse order of disassembly.



(Figure A)

All other models:

1. Snap **trim plate (a)** into **radio housing (a)**. (Figure A)
Note: For the Honda Civic 2001–2005 (non “si” model), use **radio housing (b)**, and **trim plate (b)** instead.
2. Secure **ISO brackets (a)** to the **radio housing** with (4) #8 x 3/8” Philips pan head screws supplied. (Figure A)
3. Remove the metal DIN sleeve and trim ring from the aftermarket radio
4. Slide the radio into the assembly and align the holes in the radio, with the holes in the **radio brackets**. Secure with screws supplied with the radio. (Figure A)



(Figure A)

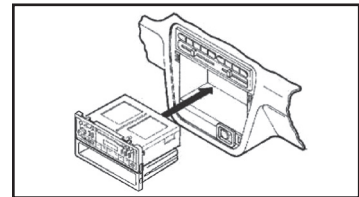
5. Locate the factory wiring harness in the dash. Metra recommends using the proper mating adapter from Metra or AXXESS. Test the radio for proper operation.
6. Reassemble the dash in reverse order of disassembly.

For the Honda Accord 1994–1997 and Acura CL 1997–1999:

Mount **rear support bracket (b)** to the rear support provision with (2) bolts previously removed in the dash disassembly. (Figure B)

For the Acura RSX 2002–2006:

Mount **rear support bracket (a)** to the rear support provision with (2) #8 x 7/8” Phillips pan head screws included. (Figure B)



(Figure B)



Having difficulties? We're here to help.



Contact our Tech Support line at:

386-257-1187



Or via email at:

techsupport@metra-autosound.com

Tech Support Hours (Eastern Standard Time)

Monday - Friday: 9:00 AM - 7:00 PM

Saturday: 10:00 AM - 7:00 PM

Sunday: 10:00 AM - 4:00 PM



KNOWLEDGE IS POWER

Enhance your installation and fabrication skills by enrolling in the most recognized and respected mobile electronics school in our industry. Log onto www.installerinstitute.edu or call 386-672-5771 for more information and take steps toward a better tomorrow.



Metra recommends MECP certified technicians



Acura, Honda, Isuzu **Multi Kit 1988-2006**

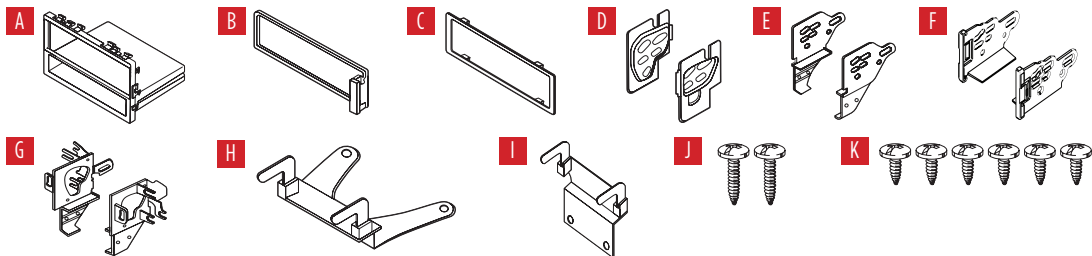
Visite MetraOnline.com para obtener información más detallada sobre el producto y aplicaciones actualizadas específicas para vehículos.

CARACTERÍSTICAS DEL KIT

- Provisión de radio ISO DIN
- Provisión de radio ISO DDIN

COMPONENTES DEL KIT

- A) Carcasa del radio (a) • B) Carcasa del radio (b) • C) Placa de moldura (a) • D) Espaciadores ISO • E) Soportes ISO (a) • F) Soportes ISO (b) • G) Soportes del radio
- H) Soporte de apoyo (a) • I) Soporte de apoyo (b) • J) (2) Tornillos Phillips #8 x 3/4" de cabeza troncocónica • K) (6) Tornillos Phillips #8 x 3/8" de cabeza troncocónica



APLICACIONES

Ve a la página 2

INDICE

Ve a la página 2

CABLEADO Y CONEXIONES DE ANTENA

Se venden por separado

HERRAMIENTAS NECESARIAS

- Destornillador Phillips • Llave de tubo 8mm
- Herramienta para quitar paneles
- Herramienta de corte

¡Atención! Deje que el vehículo se asiente con la llave fuera del encendido durante unos minutos antes de quitar la radio de fábrica. Al probar el equipo del mercado de accesorios, asegúrese de que todo el equipo de fábrica esté conectado antes de encender el llave de encendido.

APLICACIONES

Acura

CL	1997-1999
Integra	1990-2001
Legend	1990-1996
RSX (excepto el modelo "S")	2002-2006
TL	1996-1998
Vigor	1992-1994

Honda

Accord	1990-2002
Civic	1996-2000
Civic SE	2005
CRV	1997-2006
Odyssey (sin nav)	1995-2004
Prelude	1988-2001

Isuzu

Oasis	1996-1999
-------------	-----------

INDICE

Desmontaje del tablero

Acura

- CL 1997-1999	3
- Integra 1990-1993	3
- Integra 1994-2001	3-4
- Legend 1990-1996	4
- RSX 2002-2006 (excepto el modelo "S")	4-5
- TL 1996-1998	5
- Vigor 1992-1994	5

Honda

- Accord 1990-1993	6
- Accord 1994-1997	6
- Accord 1998-2002	7
- Civic 1996-1998	7
- Civic 1999-2000	8

Honda (continúa.)

- Civic SE 2005 (solamente)	9
- CRV 1997-2001	10
- CRV 2002-2006	10
- Oasis 1996-1999	11
- Odyssey 1995-1998	11
- Odyssey 1999-2004	11
- Prelude 1988-1991	12
- Prelude 1992-1996	12
- Prelude 1997-2001	13

Ensamble del kit

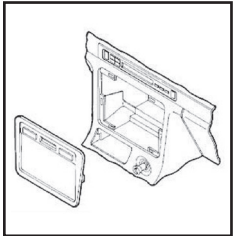
- DIN radio provision	13-14
- ISO DIN radio provision	15

DESMONTAJE DEL TABLERO

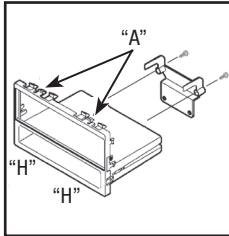
Acura CL 1997-1999

1. Desenganche el bisel de la moldura del radio y desconecte el cableado del reloj y del control del clima. (Figura A)
2. Quite los (2) tornillos de cabeza hexagonal de 8 mm que sujetan el radio de fábrica y desconecte el cableado.
3. Corte y quite todos los ganchos de montaje de la **carcasa del radio (a)** EXCEPTO los ganchos "A" y "H" (los ganchos pueden identificarse por la letra estampada cerca de cada gancho). (Figura B)
4. Monte el **soporte de apoyo trasero (a)** en la parte posterior la **carcasa del radio (b)** con los (2) tornillos Phillips de cabeza troncocónica #8 x 3/8" suministrados. (Figura B)

Continúe con el ensamble del kit



(Figura A)

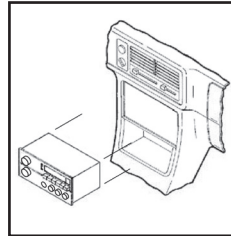


(Figura B)

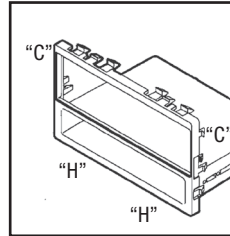
Acura Integra 1990-1993

1. Quite los (3) tornillos a cada lado de la consola central y quite la consola.
2. Quite los (2) tornillos que sujetan el radio de fábrica al soporte de apoyo del sub tablero. Deslice el ensamble de radio/cavidad hacia afuera y desconecte el cableado. (Figura A)
3. Corte y quite todos los ganchos de montaje de la **carcasa del radio (a)** EXCEPTO los ganchos "C" y "H" (los ganchos pueden identificarse por la letra estampada cerca de cada gancho). (Figura B)

Continúe con el ensamble del kit



(Figura A)

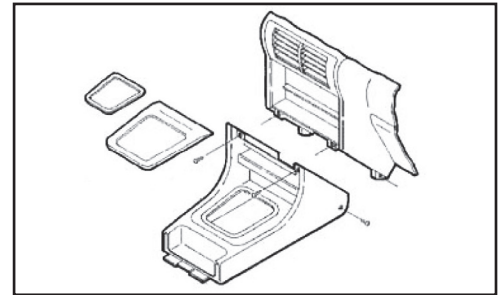


(Figura B)

Acura Integra 1994-2001

1. Quite la tapa de la cubierta localizada debajo del freno de emergencia y quite los (2) tornillos expuestos.
2. Quite los (2) tornillos de las esquinas traseras del bisel de la moldura del tablero inferior y quite.
3. Quite el cenicero y los (2) tornillos expuestos.
4. Suelte a presión la carcasa del cenicero y desconecte el arnés del encendedor.
5. Retire la perilla de la palanca de velocidades y suelte a presión la moldura de la palanca..

Continúa en la siguiente pagina



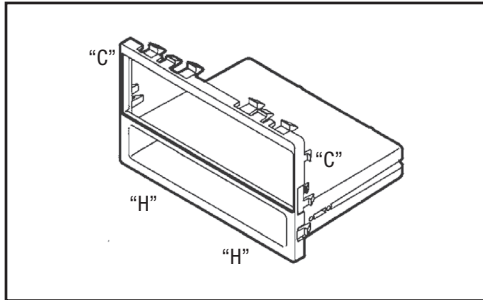
(Figura A)

DESMONTAJE DEL TABLERO

Acura Integra 1994-2001 (cont.)

- Quite los (2) tornillos debajo de la apertura del radio y quite el bisel de la moldura del tablero superior. (Figura A)
- Quite los (2) tornillos de 8 mm que sujetan el radio de fábrica y desconecte el cableado.
- Corte y quite todos los ganchos de montaje de la **carcasa del radio (a)** EXCEPTO los ganchos "C" y "H" (los ganchos pueden identificarse por la letra estampada cerca de cada gancho). (Figura B)

Continúe con el ensamble del kit

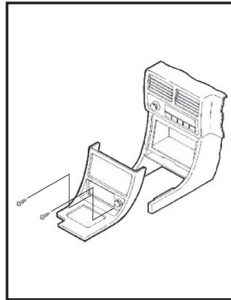


(Figura A)

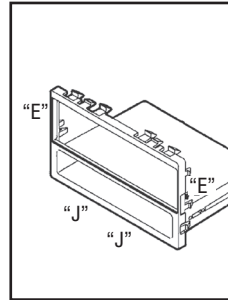
Acura Legend 1990-1996

- Quite los (2) tornillos de debajo del cenicero. (Figura A)
- Desenganche el bisel de la moldura del tablero.
- Desconecte el cableado del encendedor y retire el bisel.
- Retire los (2) pernos que sujetan la parte trasera del radio de fábrica y desconecte el cableado.
- Corte y quite todos los ganchos de montaje de la **carcasa del radio (a)** EXCEPTO los ganchos "E" y "J" (los ganchos pueden identificarse por la letra estampada cerca de cada gancho). (Figura B)

Continúe con el ensamble del kit



(Figura A)

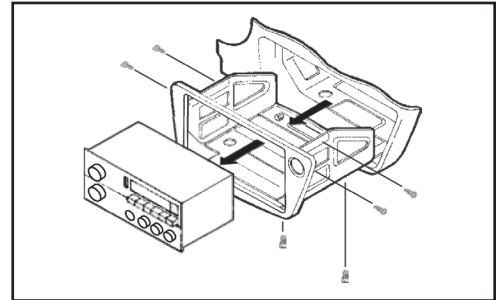


(Figura B)

Acura RSX 2002-2005 (excepto el modelo "S")

- Desenganche el tablero central inferior (que contiene el tomacorriente) y quite el panel.
- Deslice en la apertura y quite los (2) tornillos Phillips de la base del radio de fábrica.
- Deslice el radio de fábrica (con el ensamble de soporte) del tablero y desconecte el cableado. (Figura A)
- Quite los (4) tornillos Phillips que sujetan el radio de fábrica al ensamble del soporte y quite el radio (si hay cavidad de fábrica presente, quite los (4) tornillos Phillips que sujetan la cavidad al ensamble del soporte y quítelo). (Figura A)

Continúa en la siguiente página



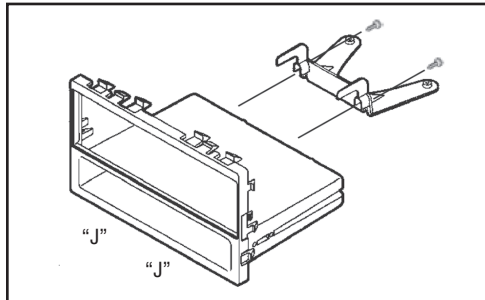
(Figura A)

DESMONTAJE DEL TABLERO

Acura RSX 2002-2005 (excepto el modelo "S") (cont.)

5. Corte y quite todos los ganchos de montaje de la **carcasa del radio (a)** EXCEPTO los ganchos "J" (los ganchos pueden identificarse por la letra estampada cerca de cada gancho). (Figura B)
6. Monte el **soporte de apoyo trasero (b)** en la parte posterior la carcasa del radio (a) con los (2) tornillos Phillips de **cabeza troncocónica** #8 x 3/8" suministrados.

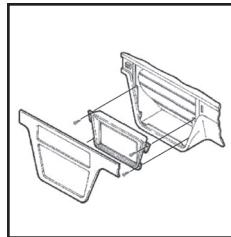
Continúe con el ensamble del kit



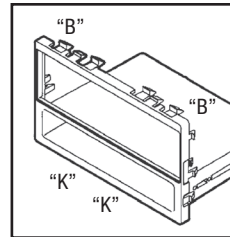
(Figura B)

Acura TL 1996-1998

1. Usando un destornillador pequeño, desenganche el perímetro del bisel de la moldura del radio. (Figura A)
2. Desconecte el cableado del control de clima y del desempañador trasero y retire el bisel.
3. Quite los (4) tornillos Phillips que sujetan el ensamble del radio de fábrica/bisel de la moldura. (Figura A)
4. Afloje los (2) tornillos Phillips que sujetan la parte posterior del radio a la carcasa metálica y deslice el radio hacia afuera (no es necesario retirar los tornillos que sujetan el metal).
5. Desconecte el cableado.
6. Corte y quite todos los ganchos de montaje de la **carcasa del radio (a)** EXCEPTO los ganchos "B" y "K" (los ganchos pueden identificarse por la letra estampada cerca de cada gancho). (Figura B) *Continúe con el ensamble del kit*



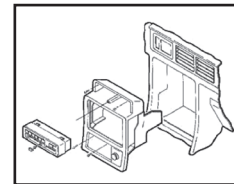
(Figura A)



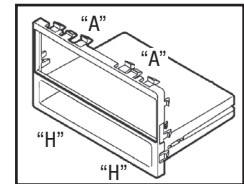
(Figura B)

Acura Vigor 1992-1996

1. Retire la tapa de acceso del conjunto del control del clima y (1) tornillos expuesto. (Figura A)
2. Desenganche el conjunto y quite los (2) tornillos expuestos. (Figura A)
3. Quite el cenicero y los (2) tornillos Phillips expuestos.
4. Quite las tapas de la cubierta de cada esquina delantera de la consola central y los tornillos expuestos.
5. Abra el compartimiento de almacenamiento, levante la alfombra y quite los (2) tornillos expuestos.
6. Levante la consola central y retire. Desenganche el bisel de la moldura del radio y desconecte el cableado.
7. Retire los (2) pernos de la parte trasera del radio de fábrica y desconecte el cableado.
8. Corte y quite todos los ganchos de montaje de la **carcasa del radio (a)** EXCEPTO los ganchos "A" y "H" (los ganchos pueden identificarse por la letra estampada cerca de cada gancho). (Figura B) *Continúe con el ensamble del kit*



(Figura A)



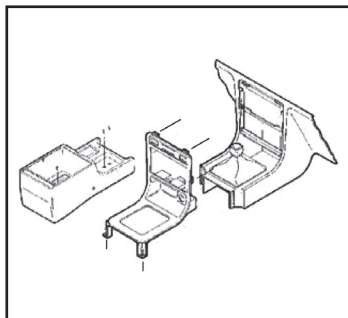
(Figura B)

DESMONTAJE DEL TABLERO

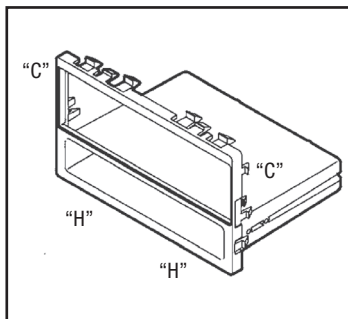
Honda Accord 1990-1993

1. Quite los (4) tornillos de la porción inferior de la consola central. (Figura A)
2. Retire la perilla de la palanca de velocidades y levante la consola para sacarla. Retire el cenicero y el soporte del cenicero.
3. Quite los (2) tornillos de la parte inferior del radio de fábrica, deslice el radio hacia afuera y desconecte el cableado.
4. Corte y quite todos los ganchos de montaje de la **carcasa del radio (a)** EXCEPTO los ganchos "C" y "H" (los ganchos pueden identificarse por la letra estampada cerca de cada gancho). (Figura B)

Continúe con el ensamble del kit



(Figura A)

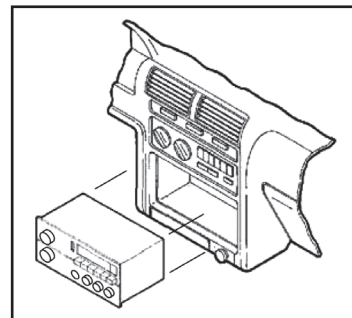


(Figura B)

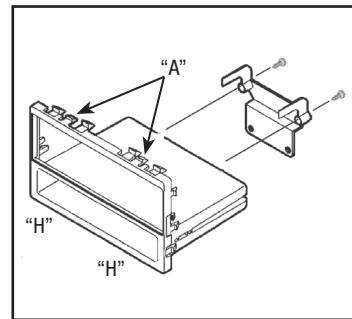
Honda Accord 1994-1997

1. Retire el cenicero y (1) tornillo Phillips #8 de 3/4" expuesto. Abra el compartimento de almacenamiento y quite los (2) tornillos Phillips #8 expuestos.
2. Quite la charola del portavasos y los (3) tornillos Phillips #8 del interior.
3. Levante la consola central y quite los (2) tornillos Phillips expuestos en la base del bisel de la moldura del radio.
4. Desenganche el bisel y quite.
5. Quite los (2) tornillos de cabeza hexagonal que sujetan el radio de fábrica y desconecte el cableado. (Figura A)
6. Corte y quite todos los ganchos de montaje de la **carcasa del radio (a)** EXCEPTO los ganchos "A" y "H" (los ganchos pueden identificarse por la letra estampada cerca de cada gancho). (Figura B)
7. Monte el **soporte de apoyo trasero (a)** en la parte posterior la **carcasa del radio (a)** con los (2) tornillos Phillips de cabeza troncocónica #8 x 3/8" suministrados.

Continúe con el ensamble del kit



(Figura A)



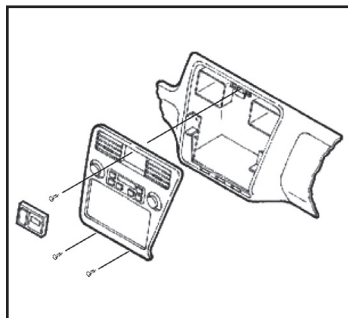
(Figura B)

DESMONTAJE DEL TABLERO

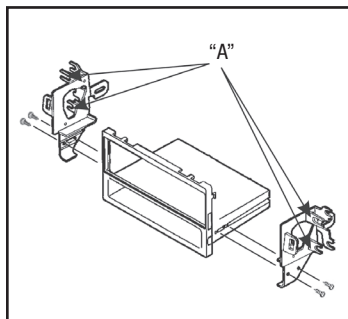
Honda Accord 1998-2002

1. Suelte a presión el panel del radio, desconecte el cableado y retire. (Figura A)
2. Retire (1) tornillo Phillips expuesto en la cavidad del reloj.
3. Quite los (2) tornillos Phillips debajo del radio de fábrica.
4. Desenganche el bisel de la moldura del radio y desconecte el cableado. (Figura A)
5. Quite los (4) tornillos Phillips que sujetan el ensamble del radio de fábrica y desconecte el cableado.
6. Quite los (2) tornillos que sujetan la cavidad de fábrica al ensamble.
7. Corte y quite los ganchos de montaje de la carcasa del radio (a).
8. Localice las pestañas "A" en los soportes de montaje, corte y quite las pestañas "B" (las pestañas pueden identificarse mediante la letra estampada cerca de cada pestaña). (Figura B)
9. Sujete los soportes a la carcasa con los (4) tornillos Phillips de cabeza troncocónica #8 de 3/8" suministrados.

Continúe con el ensamble del kit



(Figura A)

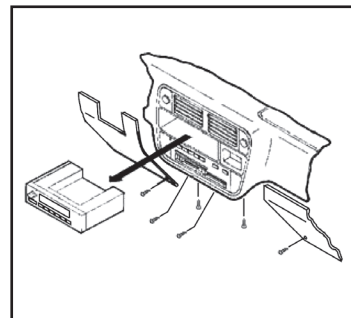


(Figura B)

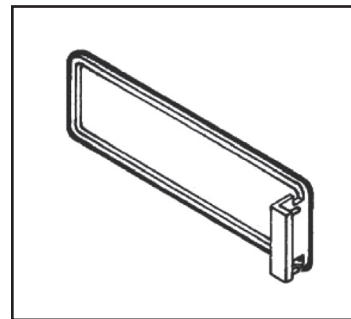
Honda Civic 1996-1998

1. Quite los (2) tornillos Phillips del borde inferior de la puerta de la guantera y quite la puerta.
2. Quite (3) tornillos Phillips del panel inferior de la columna de dirección.
3. Jale en línea recta hacia abajo en el panel de la columna de dirección inferior y quite el panel.
4. Quite (2) tornillos Phillips que están debajo del panel de control de clima. (Figura A)
5. Quite (4) tornillos Phillips de la ubicación inferior del tablero.
6. Quite los (2) tornillos de cabeza hexagonal de 8 mm que sujetan la parte trasera inferior del radio de fábrica y desconecte el cableado.
7. Localice la **carcasa del radio (b)**. (Figura B)

Continúe con el ensamble del kit



(Figura A)

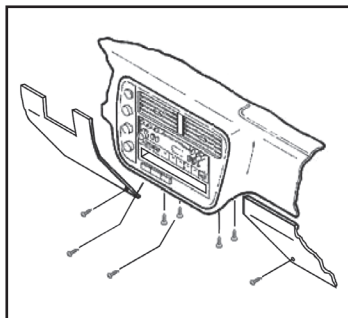


(Figura B)

DESMONTAJE DEL TABLERO

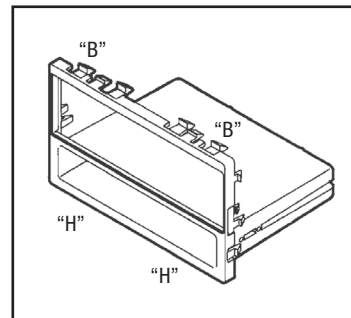
Honda Civic 1999-2000

1. Quite los (2) tornillos Phillips del borde inferior de la puerta de la guantera y quite la puerta.
2. Quite (3) tornillos Phillips del panel inferior de la columna de dirección.
3. Jale en línea recta hacia abajo en el panel de la columna de dirección inferior y quite el panel.
4. Quite los (2) tornillos Phillips de abajo de los controles del clima.
5. Quite (4) tornillos Phillips de la ubicación inferior del tablero. (Figura A)



(Figura A)

6. Quite los (4) tornillos Phillips que sujetan la parte inferior del bisel de la moldura del tablero/ensamble de radio y jale el ensamble para sacarlo tanto como sea posible.
7. Corte las corbatas que sujetan los cables del radio y del control de clima, deslice el bisel de la moldura del tablero/ensamble de radio de la cavidad del tablero y desconecte el cableado.
8. Corte y quite todos los ganchos de montaje de la **carcasa del radio (a)** EXCEPTO los ganchos "B" y "H" (los ganchos pueden identificarse por la letra estampada cerca de cada gancho). (Figura B)



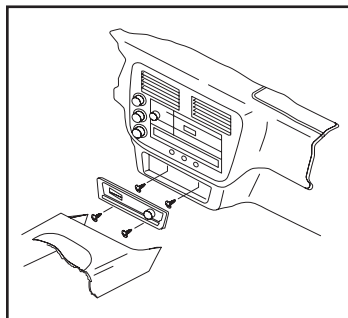
(Figura B)

Continúe con el ensamble del kit

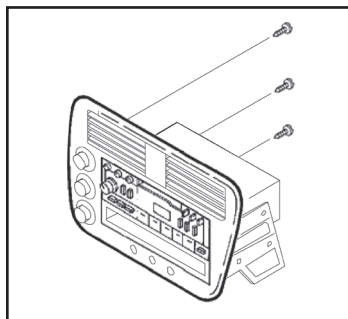
DESMONTAJE DEL TABLERO

Honda Civic SE 2005 (only)

1. Suelte a presión y retire el anillo de la moldura de alrededor de la palanca de velocidades al piso.
2. Suelte a presión y retire la moldura de alrededor de la palanca de velocidades al piso.
3. Quite los (2) tornillos Phillips de entre el portavasos y la palanca de velocidades. (Figura A)
4. Suelte a presión los lados de la consola, (2 chasquidos por lado), y retire con el ensamble del tomacorriente.
5. Quite los (2) tornillos Phillips debajo del ensamble del radio, orientados hacia arriba. (Figura A)

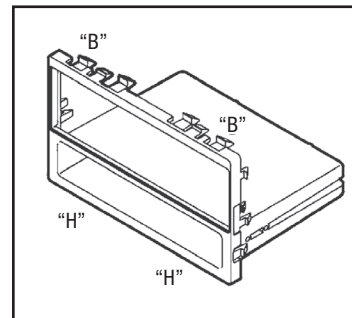


(Figura A)



(Figura B)

6. Quite (3) tornillos que sujetan el alojamiento del control de clima a la parte posterior del bisel de la moldura del tablero y el alojamiento. (Figura B)
7. Quite (4) tornillos Phillips de cada lado que sujetan el radio de fábrica al ensamble del soporte y quite el radio.
8. Corte y quite todos los ganchos de montaje de la **carcasa del radio (a)** EXCEPTO los ganchos "B" y "H" (los ganchos pueden identificarse por la letra estampada cerca de cada gancho). (Figura C)



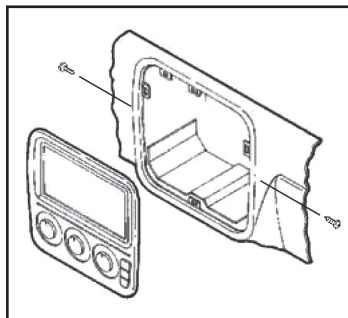
(Figura C)

Continúe con el ensamble del kit

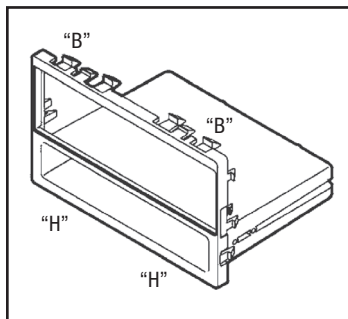
DESMONTAJE DEL TABLERO

Honda CR-V 1997-2001

1. Abra la guantera, apriete los ganchos de retención y quite los topes.
2. Baje la guantera y quite (2) tornillos Phillips de la orilla izquierda.
3. Quite los (2) tornillos Phillips del panel de la columna de dirección inferior y quite.
4. Desenganche la cubierta de la consola inferior (debajo del cenicero y la cavidad) y quite.
5. Quite (2) tornillos Phillips de la base de la consola central, abra la cavidad de la consola y quite los (4) tornillos exteriores quedan expuestos.
6. Desenganche la consola central y quítela.
7. Quite los (2) tornillos Phillips que sujetan el bisel de la moldura del radio, desconecte el cableado y quite el ensamble del bisel de la moldura/radio. (Figura A)
8. Quite los (4) tornillos Phillips que sujetan el radio al bisel y quítelo.
9. Corte y quite todos los ganchos de montaje de la **carcasa del radio (a)** EXCEPTO los ganchos "B" y "H" (los ganchos pueden identificarse por la letra estampada cerca de cada gancho). (Figura B)
Continúe con el ensamble del kit



(Figura A)

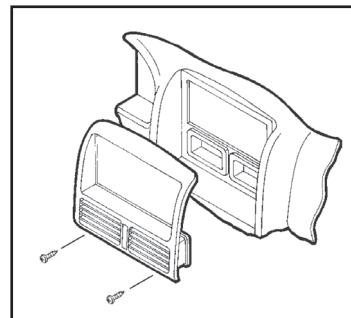


(Figura B)

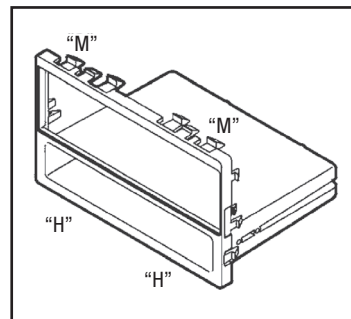
Honda CR-V 2002-2006

1. Quite los (2) tornillos Phillips del borde inferior del bisel de la moldura del radio. (Figura A)
2. Desenganche el bisel de la moldura y quítelo.
3. Quite los (4) tornillos Phillips que sujetan el radio de fábrica y desconecte el cableado.
4. Corte y quite todos los ganchos de montaje de la **carcasa del radio (a)** EXCEPTO los ganchos "M" y "H" (los ganchos pueden identificarse por la letra estampada cerca de cada gancho). (Figura B)

Continúe con el ensamble del kit



(Figura A)



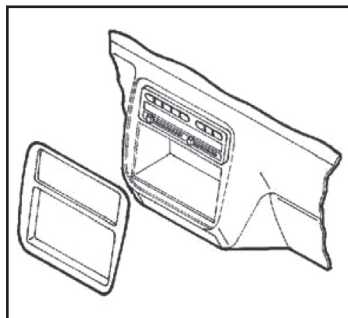
(Figura B)

DESMONTAJE DEL TABLERO

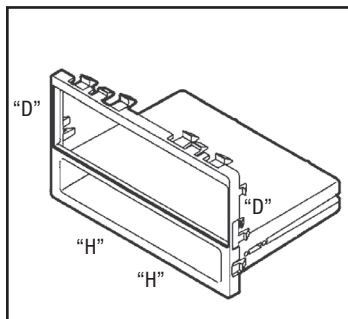
Honda Odyssey 1995-1998

Isuzu Oasis 1996-1999

1. Baje el ensamble de la guantera.
2. Quite los (2) tornillos Phillips expuestos al lado derecho del sub tablero.
3. Quite los (2) tornillos Phillips del protector de rodillas del lado del conductor y (1) tornillo Phillips de la cavidad de monedas.
4. Quite los (5) tornillos Phillips del panel del sub tablero y quite el panel. (Figura A)
5. Quite (4) tornillos Phillips del ensamble del portavasos y quite.
6. Quite los (2) tornillos Phillips que sujetan el radio de fábrica y desconecte el cableado.
7. Corte y quite todos los ganchos de montaje de la **carcasa del radio (a)** EXCEPTO los ganchos "D" y "H" (los ganchos pueden identificarse por la letra estampada cerca de cada gancho). (Figura B)



(Figura A)



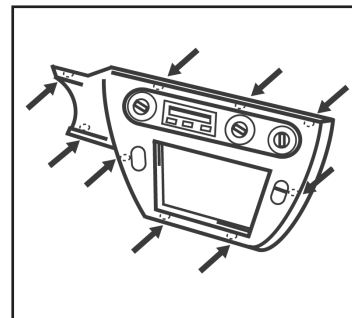
(Figura B)

Continúe con el ensamble del kit

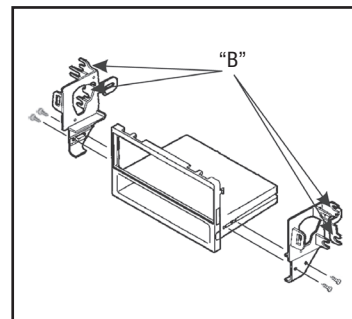
Honda Odyssey 1999-2004

1. Desenganche el bisel de la moldura del radio (incluyendo el panel del control de clima) y quítelo. (Figura A)
2. Quite los (4) tornillos Phillips que sujetan el radio de fábrica y desconecte el cableado.
3. Corte y quite los ganchos de montaje de la **carcasa del radio (a)**.
4. Localice las pestañas "B" en **los soportes** de montaje, corte y quite las pestañas "A" (las pestañas pueden identificarse mediante la letra estampada cerca de cada pestaña). (Figura B)
5. Sujete **los soportes** a la **carcasa** con los (4) tornillos Phillips de cabeza troncocónica #8 de 3/8" suministrados. (Figura B)

Continúe con el ensamble del kit



(Figura A)

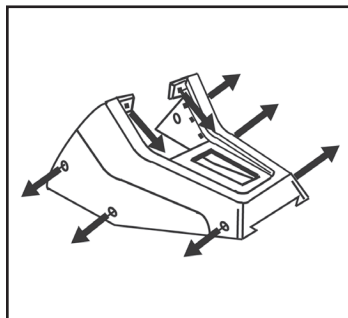


(Figura B)

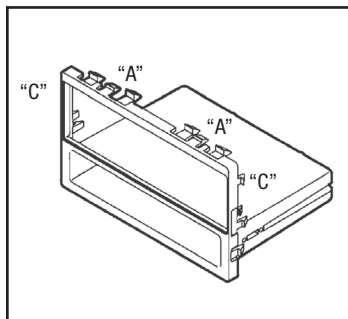
DESMONTAJE DEL TABLERO

Honda Prelude 1988-1991

1. Quite los (2) tornillos Phillips localizados debajo de los controles del clima. (Figura A)
2. Quite (1) tornillo Phillips de cada lado de la consola del tablero y (2) tornillos Phillips de cada lado de la consola del piso. (Figura A)
3. Quite la tapa falsa de plástico del extremo de la consola del tablero y los (2) tornillos Phillips que quedan expuestos. (Figura A)
4. Jale la consola de piso hacia fuera y retire suavemente la consola del tablero.
5. Quite los (6) tornillos Phillips que sujetan el radio de fábrica y desconecte el cableado.
6. Corte y quite todos los ganchos de montaje de la **carcasa del radio (a)** EXCEPTO los ganchos "A" y "C" (los ganchos pueden identificarse por la letra estampada cerca de cada gancho). (Figura B)



(Figura A)

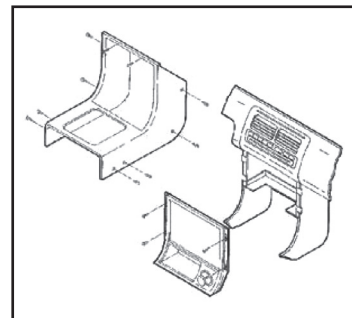


(Figura B)

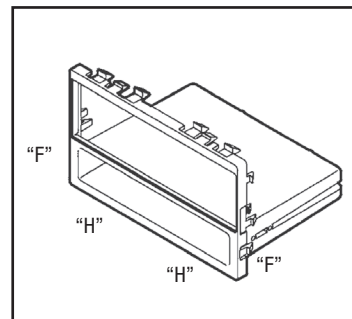
Continúe con el ensamble del kit

Honda Prelude 1992-1996

1. Quite los (2) tornillos de la parte superior del bisel de la moldura de la consola.
2. Deslice los asientos delanteros y quite los (4) tornillos Phillips de cada lado del bisel. (Figura A)
3. Jale hacia arriba el bisel de la moldura de la consola y quítelo.
4. Con el destornillador inclinado, quite los (2) tornillos que sujetan el soporte de la palanca de velocidades al bisel.
5. Quite los (4) tornillos del bisel de la moldura del radio, quite el ensamble del radio de fábrica y desconecte el cableado. (Figura A)
6. Corte y quite todos los ganchos de montaje de la **carcasa del radio (a)** EXCEPTO los ganchos "F" y "H" (los ganchos pueden identificarse por la letra estampada cerca de cada gancho). (Figura B)



(Figura A)



(Figura B)

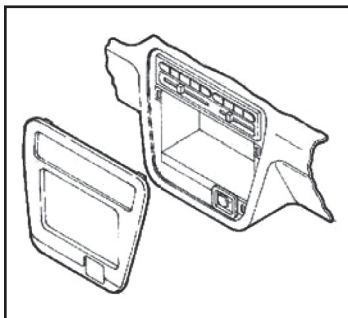
Continúe con el ensamble del kit

DESMONTAJE DEL TABLERO

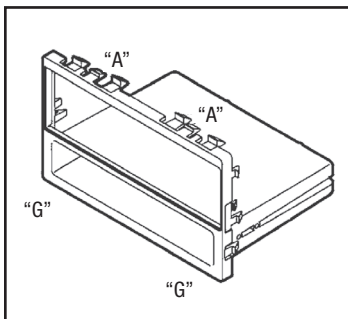
Honda Prelude 1997-2001

1. Con una herramienta de remoción de paneles, desenganche el bisel de la moldura del radio y quítelo (puede requerirse un poco de fuerza). (Figura A)
2. Quite los (4) tornillos Phillips que sujetan el ensamble del radio de fábrica/carcasa del soporte y desconecte el cableado.
3. Quite los (4) tornillos Phillips que sujetan el radio de fábrica al soporte y quítelo.
4. Corte y quite todos los ganchos de montaje de la **carcasa del radio (a)** EXCEPTO los ganchos "A" y "G" (los ganchos pueden identificarse por la letra estampada cerca de cada gancho). (Figura B)

Continúe con el ensamble del kit



(Figura A)



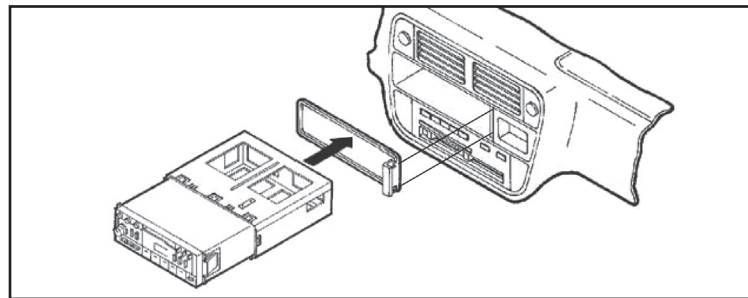
(Figura B)

ENSAMBLE DEL KIT

Para el Honda Civic 1996-1998, realice los siguientes (6) pasos. Para todas las demás aplicaciones, proceda a la página 14 para instalaciones de radio DIN o a la página 15 para instalaciones de radio ISO DIN:

1. Posicione la carcasa del radio (b) en la apertura del radio insertando las clavijas localizadoras de la carcasa en los orificios del sub tablero (Figura A)
Nota: Si durante el desensamble del tablero se quitó una placa simuladora de radio, corte y quite las clavijas localizadoras de la **carcasa del radio**.

2. Quite la manga de metal DIN del radio de mercado secundario.
3. Deslice la manga en el kit y sujétela doblando hacia abajo las pestañas de metal.
4. Localice el arnés de cableado de fábrica en el tablero. Metra recomienda que use adaptadores adecuados de acoplamiento de Metra y/o de AXCESS. Pruebe el radio para verificar que funcione correctamente.
5. Deslice el radio de nuevo en la manga hasta que haga clic. (Figura A)
6. Vuelva a armar el tablero al revés de como lo desarmó.

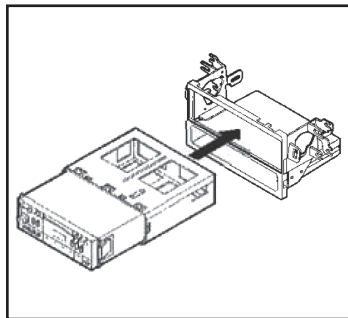


(Figura A)

ENSAMBLE DEL KIT

Para el Honda Accord 1998-2002 / la Odyssey 1999-2002, realice los siguientes (6) pasos. Para todas las demás aplicaciones, pase a Todos los demás modelos:

1. Atornille los **soportes del radio** a la **carcasa (a)** con los (4) tornillos Phillips de cabeza troncocónica #8 de 3/4" suministrados.
2. Quite la manga de metal DIN del radio de mercado secundario.
3. Deslice la manga al la ensamble y sujétela doblando hacia abajo las pestañas de metal. (Figura A)
4. Deslice el radio de nuevo en la manga hasta que haga clic.
5. Localice el arnés de cableado de fábrica en el tablero. Metra recomienda que use adaptadores adecuados de acoplamiento de Metra y/o de AXXESS. Pruebe el radio para verificar que funcione correctamente.
6. Vuelva a armar el tablero al revés de como lo desarmó.

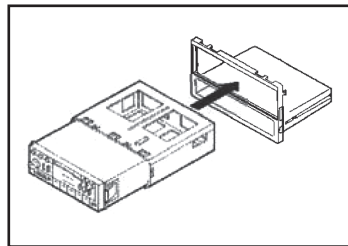


(Figura A)

Todos los otros modelos:

1. Quite la manga de metal DIN del radio de mercado secundario.
 2. Deslice la manga en la **carcasa del radio (a)** y sujétela doblando hacia abajo las pestañas de metal.
- Nota:** Para el Honda Civic 2001-2005 (modelo que no sea "si"), use en lugar de ello la **carcasa del radio (b)**.

3. Deslice el radio de nuevo en la manga hasta que haga clic. (Figura A)
4. Localice el arnés de cableado de fábrica en el tablero. Metra recomienda que use adaptadores adecuados de acoplamiento de Metra y/o de AXXESS. Pruebe el radio para verificar que funcione correctamente.



(Figura A)

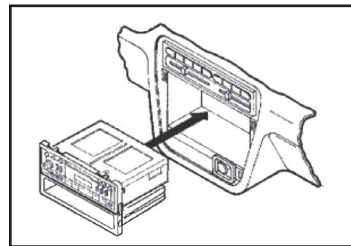
5. Vuelva a armar el tablero al revés de como lo desarmó.

Para el Honda Accord 1994-1997 y el Acura CL 1997-1999:

Monte el **soporte de apoyo trasero (b)** en la provisión de soporte trasero con los (2) pernos previamente retirados durante el desensamble del tablero. (Figura B)

Para el Acura RSX 2002-2006:

Monte el **soporte de apoyo trasero (a)** en la provisión del soporte trasero con los (2) tornillos Phillips de cabeza troncocónica #8 x 3/4" incluidos. (Figura B)



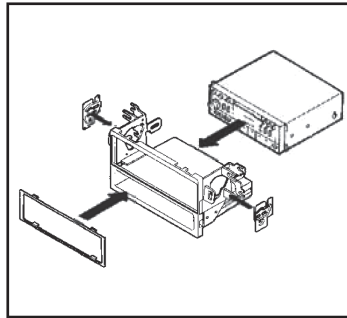
(Figura B)

ENSAMBLE DEL KIT

Para el Honda Accord 1998-2002 / la Odyssey 1999-2002, realice los siguientes (6) pasos.

Para todas las demás aplicaciones, pase a Todos los demás modelos:

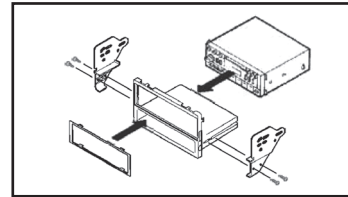
1. Atornille los **soportes del radio** a la **carcasa (a)** con los (4) tornillos Phillips de cabeza troncocónica #8 de 3/4" suministrados.
2. Coloque los **espaciadores ISO** en los lados de los **soportes del radio** y coloque a presión la **placa de moldura (a)** en la **carcasa del radio**. (Figura A)
3. Quite la manga de metal DIN y el anillo de moldura del radio de mercado secundario.
4. Deslice el radio en el ensamblaje y alinee los orificios del radio con los orificios de los **espaciadores ISO**. Sujete con los tornillos que vienen con el radio.
5. Localice el arnés de cableado de fábrica en el tablero. Metra recomienda que use adaptadores adecuados de acoplamiento de Metra y/o de AXXESS. Pruebe el radio para verificar que funcione correctamente.
6. Vuelva a armar el tablero al revés de como lo desarmó.



(Figura A)

Todos los otros modelos:

1. Coloque a presión la **placa de la moldura (a)** en la **carcasa del radio (a)**. (Figura A)
Nota: Para el Honda Civic 2001-2005 (modelo que no sea "si"), use en lugar de ello la **carcasa del radio (b)** y la **placa de la moldura (b)**.
2. Sujete los **soportes ISO (a)** a la **carcasa del radio** con los (4) tornillos Phillips de cabeza troncocónica #8 de 3/8" suministrados. (Figura A)
3. Quite la manga de metal DIN y el anillo de moldura del radio de mercado secundario.
4. Deslice el radio en el ensamblaje y alinee los orificios de la radio con los orificios de los **soportes de la radio**. Asegúrelo con los tornillos suministrados con la radio. (Figura A)



(Figura A)

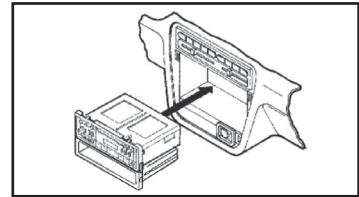
5. Localice el arnés de cableado de fábrica en el tablero. Metra recomienda que use adaptadores adecuados de acoplamiento de Metra y/o de AXXESS. Pruebe el radio para verificar que funcione correctamente.
6. Vuelva a armar el tablero al revés de como lo desarmó.

Para el Honda Accord 1994-1997 y el Acura CL 1997-1999:

Monte el **soporte de apoyo trasero (b)** en la provisión de soporte trasero con los (2) pernos previamente retirados durante el desensamble del tablero. (Figura B)

Para el Acura RSX 2002-2006:

Monte el **soporte de apoyo trasero (a)** en la provisión del soporte trasero con los (2) tornillos Phillips de cabeza troncocónica #8 x 3/4" incluidos. (Figura B)



(Figura B)



¿Tienes dificultades? Estamos aquí para ayudar.



Póngase en contacto con nuestra
línea de soporte técnico en:
386-257-1187



O por correo electrónico a:
techsupport@metra-autosound.com

Horas de soporte técnico (hora estándar del este)

Monday - Friday: 9:00 AM - 7:00 PM

Saturday: 10:00 AM - 7:00 PM

Sunday: 10:00 AM - 4:00 PM



KNOWLEDGE IS POWER

Enhance your installation and fabrication skills by enrolling in the most recognized and respected mobile electronics school in our industry. Log onto www.installerinstitute.edu or call 386-672-5771 for more information and take steps toward a better tomorrow.



**Metra recomienda MECP
técnicos certificados**