



Chrysler Pacifica (Limited, Touring) 2017

Visit MetraOnline.com for more detailed information about the product and up-to-date vehicle specific applications

KIT FEATURES

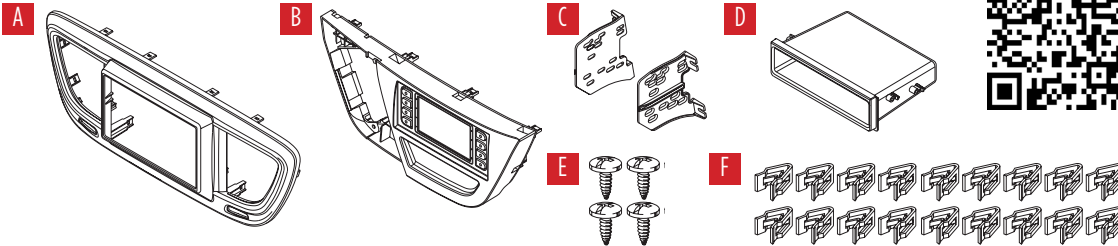
- ISO DIN radio provision with pocket
- ISO DDIN radio provision
- Touchscreen display for climate and personalization features
- Painted high gloss black

Note: Does not support surround camera (360) switching.

Note: Does not support front dash control/visual of rear seat entertainment.
Interior car audio of rear seat entertainment is also lost.

KIT COMPONENTS

- A) Radio trim panel • B) Climate control panel with touchscreen display • C) Radio brackets • D) Pocket
- E) (4) #8 x 3/8" Phillips screws • F) (18) panel clips • G) Antenna adapter (not shown)



Product Info



TABLE OF CONTENTS

Dash Disassembly	2
Kit Preparation	3
Kit Assembly	
– ISO DIN radio provision with pocket	4
– ISO DDIN radio provision	4
Axxess Interface Installation	5-13
Final Assembly	9

WIRING & ANTENNA CONNECTIONS

Wiring Harness: Axxess interface built into touchscreen

Antenna Adapter: Included with kit

TOOLS REQUIRED

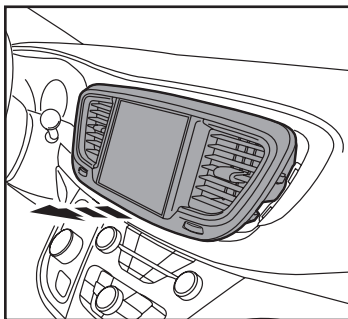
- Panel removal tool
- Phillips screwdriver
- Cutting tool

ATTENTION: With the key out of the ignition, disconnect the negative battery terminal before installing this product. Ensure that all installation connections, especially the air bag indicator lights, are plugged in before reconnecting the battery or cycling the ignition to test this product.

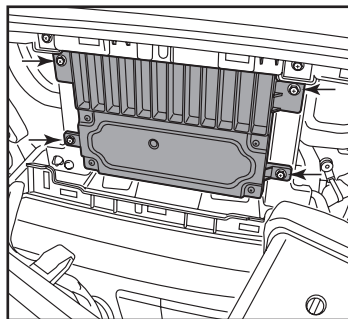
NOTE: Refer also to the instructions included with the aftermarket accessory before installing this device.

DASH DISASSEMBLY

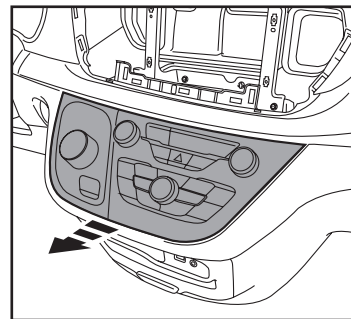
1. Unclip and remove the trim panel surrounding the radio/screen including the A/C vents, and then unplug and remove. (Figure A)
2. Remove the (4) Phillips screws securing the radio chassis, and then unplug and remove. (Figure B)
3. Unclip and remove the climate control panel, and then unplug and remove. (Figure C)



(Figure A)



(Figure B)

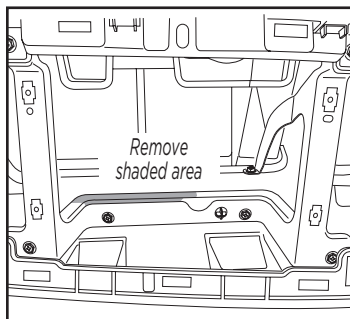


(Figure C)

Continue to Kit Preparation

KIT PREPARATION

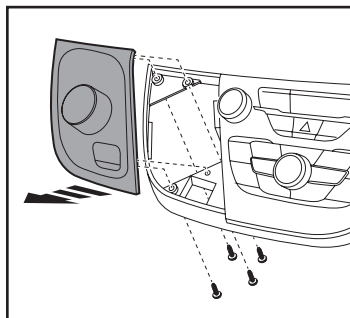
1. Depending on the depth of the aftermarket radio, the sub-dash of the vehicle may need to be cut. If so, cut the plastic from the sub-dash of the vehicle. (Figure A)



(Figure A)

From the factory climate control panel:

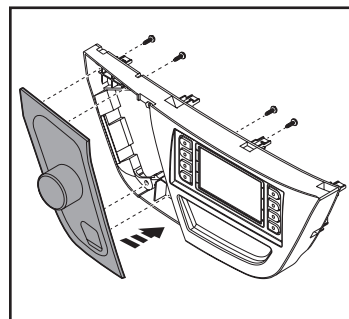
1. Remove the (4) Phillips screws securing the gear selector/parking brake panel, and then remove. (Figure B)



(Figure B)

To the 99-6543HG climate control panel with touchscreen:

1. Secure the gear selector/parking brake panel to the panel using the factory hardware. (Figure C)
2. Attach the (7) panel clips to the panel.



(Figure C)

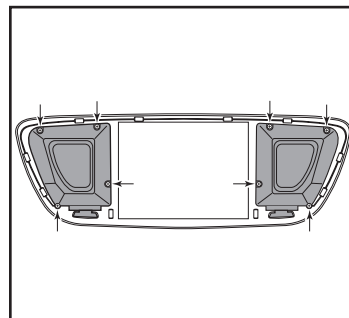
From the factory radio/screen panel with A/C vents:

1. Remove the (4) Phillips screws securing each A/C vent, and then remove. (Figure D)

To the 99-6543HG radio trim panel:

1. Secure the A/C vents to the panel using the factory hardware.
2. Attach the (11) panel clips to the panel.

Continue to Kit Assembly



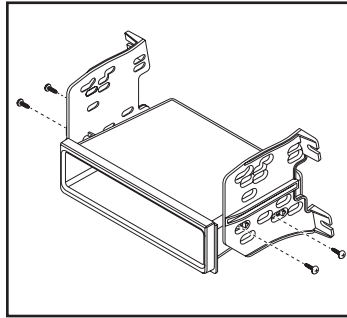
(Figure D)

KIT ASSEMBLY

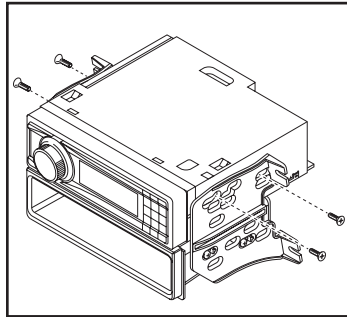
ISO DIN radio provision with pocket

1. Attach the *pocket* to the *radio brackets* using the (4) #8 x 3/8" Phillips screws provided. (Figure A)
2. Remove the metal DIN sleeve and trim ring from the aftermarket radio.
3. Slide the radio into the bracket/pocket assembly, and then secure it using the screws supplied with the radio. (Figure B)

Continue to Axxess Interface Installation



(Figure A)

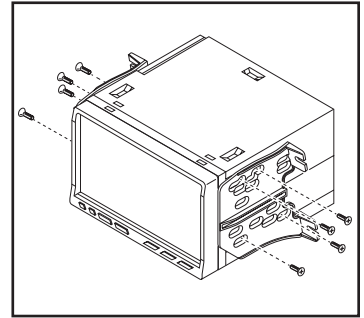


(Figure B)

ISO DDIN radio provision

1. Attach the *brackets* to the radio using the screws supplied with the radio. (Figure A)

Continue to Axxess Interface Installation



(Figure A)

AXXESS INTERFACE INSTALLATION

INTERFACE FEATURES

- Designed for both amplified and non-amplified models
- Provides accessory power (12-volt 10-amp)
- Retains R.A.P. (retained accessory power)
- Provides NAV outputs (parking brake, reverse, speed sense)
- Retains audio controls on the steering wheel
- Retains safety chimes
- Retains the factory backup camera
- Retains the factory AUX-IN jack
- Micro-B USB updatable
- Retains balance and fade (Non-amplified models only)

Note: Does not support surround camera (360) switching.

Note: Does not support front dash control/visual of rear seat entertainment.
Interior car audio of rear seat entertainment is also lost.

INTERFACE COMPONENTS

- Axxess interface (built into the touchscreen display)
- 6543 harness
- 16-pin harness with stripped leads
- 4-pin harness with yellow RCA jacks
- Hazard harness (LD-CHRYHAZZ)
- Female 3.5mm connector with stripped leads

TABLE OF CONTENTS

Connections.....	6-8
Installation	8
Programming.....	9
Final Assembly	9
Touchscreen Display Operation.....	10-11
Steering Wheel Control Settings.....	12-13
Troubleshooting.....	14

TOOLS REQUIRED

- Crimping tool and connectors, or solder gun, solder, and heat shrink
- Tape • Wire cutter • Zip ties

CONNECTIONS

Attention! This interface will work with models that are either non-amplified, or amplified. Please follow the instructions carefully for your model vehicle. Failure to do so will result in either no sound, or low sound. If you are unsure if your vehicle is factory amplified or not, please contact your local dealership.

For models *without* a factory amplifier:

From the 16-pin harness with stripped leads to the aftermarket radio:

- Connect the **Red** wire to the accessory wire.
- If the aftermarket radio has an illumination wire, connect the **Orange/White** wire to it.
- Connect the **White** wire to the left rear positive speaker output.
- Connect the **White/Black** wire to the left rear negative speaker output.
- Connect the **Gray** wire to the right rear positive speaker output.
- Connect the **Gray/Black** wire to the right rear negative output.
- Tape off and disregard the following (4) wires, they will not be used in this application.
Green, Green/Black, Purple and Purple/Black

The following (3) wires are only for multimedia/navigation radios that require these wires.

- Connect the **Blue/Pink** wire to the VSS/speed sense wire.
- Connect the **Green/Purple** wire to the reverse wire.
- Connect the **Light Green** wire to the parking brake wire.

From the 6543 harness to the aftermarket radio:

- Connect the **Black** wire to the ground wire.
- Connect the **Yellow** wire to the battery wire.
- Connect the **Gray** wire to the right front positive speaker output.
- Connect the **Gray/Black** wire to the right front negative speaker output.
- Connect the **White** wire to the left front positive speaker output.
- Connect the **White/Black** wire to the left front negative speaker output.
- Connect the (2) 4-pin connectors together.
- If retaining the factory backup camera, connect the **Yellow** RCA jack to the reverse camera input.
- If the AUX-IN jack in the dash is desired to be used, connect the **Red** and **White** RCA jacks to the audio AUX-IN jacks of the aftermarket radio.
- Disregard the DIN jack, it will not be used in this application.

Continue to 3.5mm jack steering wheel control retention

Attention! This interface will work with models that are either non-amplified, or amplified. Please follow the instructions carefully for your model vehicle. Failure to do so will result in either no sound, or low sound. If you are unsure if your vehicle is factory amplified or not, please contact your local dealership.

For models *with* a factory amplifier:

From the 16-pin harness with stripped leads to the aftermarket radio:

- Connect the **Red** wire to the accessory wire.
- Connect the **Blue/White** wire to the amp turn on wire. This wire must be connected to hear sound from the factory amplifier.
- If the aftermarket radio has an illumination wire, connect the **Orange/White** wire to it.
- Tape off and disregard the following (9) wires, they will not be used in this application. **Gray, Gray/Black, White, White/Black, Green, Green/Black, Purple, Purple/Black and Brown.**

The following (3) wires are only for multimedia/navigation radios that require these wires.

- Connect the **Blue/Pink** wire to the VSS/speed sense wire.
- Connect the **Green/Purple** wire to the reverse wire.
- Connect the **Light Green** wire to the parking brake wire.

From the 6543 harness to the aftermarket radio:

- Connect the **Black** wire to the ground wire.
- Connect the **Yellow** wire to the battery wire.
- Connect the **Gray** wire to the right front positive speaker output.
- Connect the **Gray/Black** wire to the right front negative speaker output.
- Connect the **White** wire to the left front positive speaker output.
- Connect the **White/Black** wire to the left front negative speaker output.
- Connect the **Green** wire to the left rear positive speaker output.
- Connect the **Green/Black** wire to the left rear negative speaker output.
- Connect the **Purple** wire to the right rear positive speaker output.
- Connect the **Purple/Black** wire to the right rear negative output.
- If retaining the factory backup camera, connect the **Yellow** RCA jack to the reverse camera input.
- If the AUX-IN jack in the dash is desired to be used, connect the **Red** and **White** RCA jacks to the audio AUX-IN jacks of the aftermarket radio.
- Disregard the DIN jack, it will not be used in this application.

Continue to 3.5mm jack steering wheel control retention

3.5mm jack steering wheel control retention:

The 3.5mm jack is to be used to retain audio controls on the steering wheel.

- **For the radios listed below:** Connect the *female 3.5mm connector with stripped leads* to the male 3.5mm SWC jack from the 6543 harness. Any remaining wires tape off and disregard.
 - **Eclipse:** Connect the steering wheel control wire, normally **Brown**, to the **Brown/White** wire from the connector. Then connect the remaining steering wheel control wire, normally **Brown/White**, to the **Brown** wire from the connector.
 - **Metra OE:** Connect the steering wheel control Key 1 wire (**Gray**) to the **Brown** wire.
 - **Kenwood or select JVC with a steering wheel control wire:** Connect the **Blue/Yellow** wire to the **Brown** wire.

Note: If your Kenwood radio auto detects as a JVC, manually set the radio type to Kenwood. See the instructions under changing radio type.
 - **XITE:** Connect the steering wheel control SWC-2 wire from the radio to the **Brown** wire.
 - **Parrot Asteroid Smart or Tablet:** Connect the 3.5mm jack into the AX-SWC-PARROT (sold separately), and then connect the 4-pin connector from the AX-SWC-PARROT into the radio.

Note: The radio must be updated to rev. 2.1.4 or higher software.
 - **Universal “2 or 3 wire” radio:** Connect the steering wheel control wire, referred to as Key-A or SWC-1, to the **Brown** wire from the connector. Then connect the remaining steering wheel control wire, referred to as Key-B or SWC-2, to the **Brown/White** wire from the connector. If the radio comes with a third wire for ground, disregard this wire.

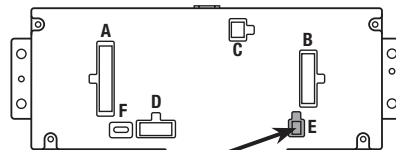
Note: After the interface has been programmed to the vehicle, refer to the manual provided with the radio for assigning the SWC buttons. Contact the radio manufacturer for more information.
- **For all other radios:** Connect the 3.5mm jack from the 6543 harness to the jack on the aftermarket radio designated for an external steering wheel control interface. Please refer to the aftermarket radios manual if in doubt as to where the 3.5mm jack goes to.

Attention! It is highly advisable to read the following steps beforehand, to ensure a clear understanding of what is to be expected. The following steps must be done in the order that they are numbered.

With the vehicle completely off:

1. Connect the 16-pin harness with stripped leads into port “**B**” in the touchscreen display.
2. Connect the 6543 harness to the wiring harnesses in the vehicle. Then insert the 6543 harness into port “**A**” in the touchscreen display. But do not install this harness until exactly before step 1 from the **Programming** section. This is a timed process
3. Connect the 4-pin harness with **yellow RCA jacks** into port “**C**” in the touchscreen display.
4. Connect the **hazard harness (LD-CHRYHAZZ)** 10-pin connector into port “**D**” in the touchscreen display, and then to the wiring harness in the vehicle.

Note: Be sure to plug in the 8-pin connector from the climate control. The touchscreen also uses the same connector. Using the wrong connector will cause a jam with the vehicles CANBUS.
5. Disregard port “**E**” it will not be used in this application.
6. Port “**F**” is an update port for future firmware upgrades.
7. Locate the factory antenna connector in the dash and complete all necessary connections to the radio. Use the antenna adapter provided to adapt the factory antenna connector to the aftermarket radio.



Note: DO NOT CONNECT

PROGRAMMING

1. Refer to step 2 from the **Installation** section.
2. Press the push-to-start button to start the vehicle.
3. Program the kit:
 - a. Once the touchscreen display loads up, select the vehicle type.
 - b. Wait until the radio comes on, and the touchscreen display shows **SWC Configured**. This process may take up to 3 minutes.
4. Cycle the key off, then back on. If the driver's door is closed, open and close the door.
5. Refer to the **Settings** page within the **Touchscreen Display Operation** section. Ensure that all factory features have been selected properly according to the options available for the vehicle.
6. Test all functions of the installation for proper operation, before reassembling the dash.

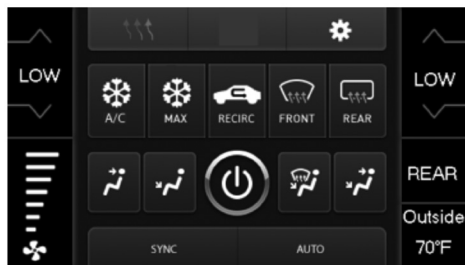
Note: The clock and compass in the driver's information center will no longer be functional.

FINAL ASSEMBLY

1. Secure the completed assembly into the upper dash using the factory hardware.
2. Reassemble the center console and dash in reverse order of disassembly.

TOUCHSCREEN DISPLAY OPERATION

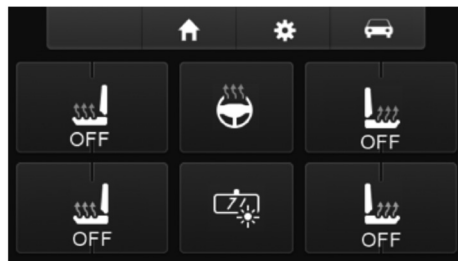
Climate Control screen



- This is the climate control screen which will be displayed on the touchscreen display. This is considered the **Main Menu**.
- The upper left tab with (3) arrows will take you to the **Heated/Cooled Seats*** screen, **Heated Steering*** screen, **Mirror Dimming*** screen, and also to the screen where the “hard buttons” that were on the factory radio panel are now placed.
- The upper right tab with a gear icon will take you to the **Settings** screen.
- The climate controls will function in the same manner that they did with the factory climate controls.
- For models with rear climate controls, the button labeled **REAR** will take you to the rear climate control menu.

* If applicable.

Heated/Cooled Seats screen

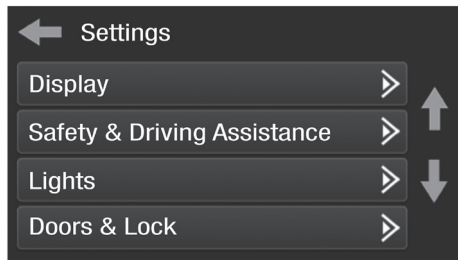


- This is the **Heated/Cooled Seats, Heated Steering, and Mirror Dimming** screen which will be displayed on the touchscreen display.
- The upper left-middle tab with a home icon will take you back to the **Main Menu**.
- The upper right-middle tab with a gear icon will take you to the **Settings** screen.
- The upper right tab with a car icon will take you to the screen where the “hard buttons” that were on the factory radio panel are now placed.

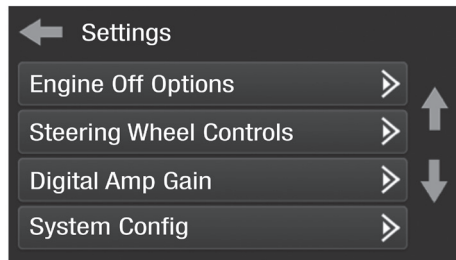
Continued on the next page

TOUCHSCREEN DISPLAY OPERATION (CONT)

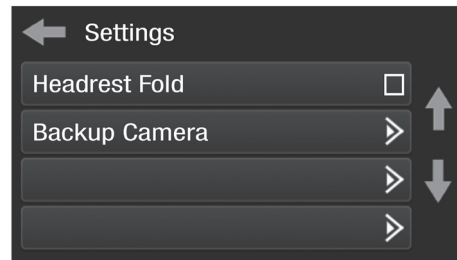
Settings screen



- **Display**
 - Backlight - For controlling the color of the buttons and back-light intensity.
 - Language
 - Units
- **Safety & Driving Assistance** - Factory features
- **Lights** - Factory features
- **Doors & Locks** - Factory features



- **Engine Off Options** - Factory features
- **Steering Wheel Controls**
 - Remap Buttons – For remapping the steering wheel control buttons
 - Dual Assign – For dual assigning the steering wheel control buttons (long button press)
 - Select Radio – For auto detecting the radio, or changing the radio type
- **Digital Amp Gain** - For adjusting the output gain to the amplifier



- **System Configuration**
 - About - Information regarding the software in the kit
 - Reset Vehicle Type - To reset the kit to default settings
 - Comfort Options Override - Provides the ability to disable/enable certain factory options
- **Headrest Fold** - On/Off
- **Backup Camera**
 - Enable/disables the backup camera image to the touchscreen display. Disabled by default.

STEERING WHEEL CONTROL SETTINGS

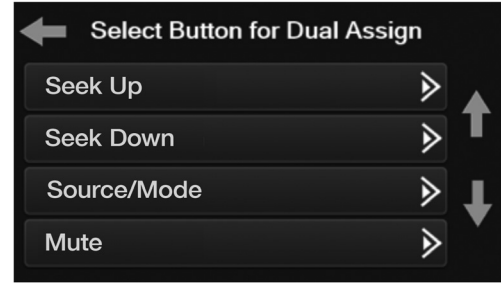
Remap Button screen



- The interface has the ability to change the button assignment for the steering wheel control audio buttons, except Volume-Up and Volume-Down. Follow the prompts on the touchscreen display to remap the steering wheel control audio button(s) to your liking.

Note: *The aftermarket radio may not have all of these commands. Please refer to the manual provided with the radio, or contact the radio manufacturer, for specific commands recognized by that particular radio.*

Dual Assign screen



- The interface has the capability to assign two functions to a single button, except Volume-Up and Volume-Down. Follow the prompts on the touchscreen display to program the button(s) to your liking.

Note: *Seek-Up and Seek-Down come programmed as Preset-Up and Preset-Down for a long button press.*

Continued on the next page

STEERING WHEEL CONTROL SETTINGS (CONT)

Select Radio screen



- To show which brand radio is “auto detected” to the interface, press the “Autodetect” button. The radio detected will have a filled in circle. If the incorrect radio is shown, select the proper radio.
- Following is a list of radio manufacturers that the interface presently acknowledges. Others may be added at a later date. Universal “2 or 3 wire” radios can show up as any of these radio manufacturers.

Eclipse (Type 1) †	Pioneer/Jensen	Clarion (Type 2) †	Parrot **
Kenwood ‡	Alpine *	Metra OE	XITE
Clarion (Type 1) †	Visteon	Eclipse (Type 2) †	Phillips
Sony / Dual	Valor	LG	JBL
JVC			

*** Note:** If the interface shows an Alpine radio, and you do not have an Alpine radio, that means the interface does not detect a radio connected it, i.e., an open connection. Verify that the 3.5mm jack is connected to the correct steering wheel jack/wire in the radio.

**** Note:** The AX-SWC-PARROT is required (sold separately). Also, the Parrot radio must be updated to rev. 2.1.4 or higher through www.parrot.com.

† Note: If you have a Clarion radio and the steering wheel controls do not work, change the radio type to the other Clarion radio type; same for Eclipse.

‡ Note: If you have a Kenwood radio and the touchscreen display shows a JVC radio, change the radio type to Kenwood.

TROUBLESHOOTING

Resetting the interface

Option # 1

1. With everything connected and the car running.
2. Hold the bottom (2) buttons for 3 seconds, then release. (Figure A)
(The screen will turn black and then put you in the vehicle selection screen)
3. Select your vehicle and wait till the “SWC Configured “ appears on the screen.
4. Turn ignition off and start vehicle, then test your interface.

Option #2

1. With the vehicle running, press the **Reset Vehicle Type** button mentioned in **System Configuration**.
2. Refer to **Programming**, step 3, from this point.



(Figure A)





99-6543HG
INSTALLATION INSTRUCTIONS



Having difficulties? We're here to help.



Contact our Tech Support line at:

386-257-1187



Or via email at:

techsupport@metra-autosound.com

Tech Support Hours (Eastern Standard Time)

Monday - Friday: 9:00 AM - 7:00 PM

Saturday: 10:00 AM - 5:00 PM

Sunday: 10:00 AM - 4:00 PM



KNOWLEDGE IS POWER

Enhance your installation and fabrication skills by enrolling in the most recognized and respected mobile electronics school in our industry. Log onto www.installerinstitute.edu or call 386-672-5771 for more information and take steps toward a better tomorrow.



**Metra recommends MECP
certified technicians**