



Dodge Journey 2011-2020

Visit MetraOnline.com for more detailed information about the product and up-to-date vehicle specific applications.

KIT FEATURES

- ISO DIN radio provision with pocket
- ISO DDIN radio provision
- Included interface retains factory screen
- Painted matte black to match factory finish

Note: • Does not retain sound from **Driver Convenience Group**.

- Track and launch control features from **SRT Package** will be lost.

KIT COMPONENTS

- A) Radio trim panel • B) Radio brackets • C) A/C button housing • D) Pocket • E) Console bracket • F) #8 x 3/8" Phillips pan-head screws (6)
- G) Panel clips (2) • H) Climate extension harness (not shown) • I) Axxess interface and harness (not shown)

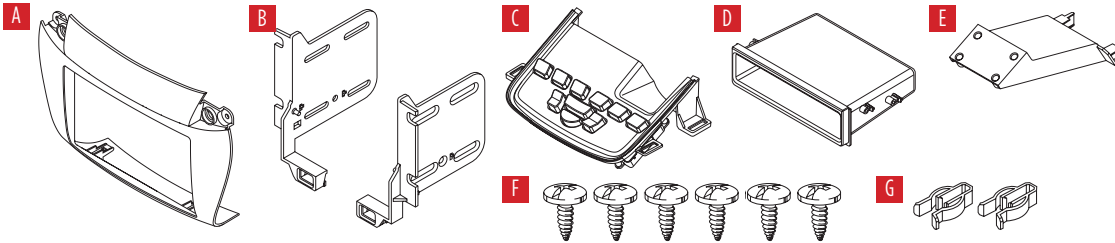


TABLE OF CONTENTS

Dash Disassembly.....	2-3
Kit Preparation.....	4
Kit Assembly	
– ISO DIN radio provision with pocket.....	5
– ISO DDIN radio provision.....	5
Axxess interface installation.....	6-12

WIRING & ANTENNA CONNECTIONS

Wiring Harness: Interface and harnesses included
Antenna Adapter: 40-EU10 (sold separately)
AXXESS Steering Wheel Control Interface (sold separately)

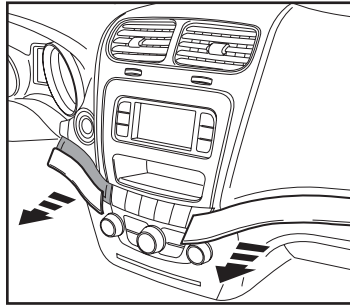
TOOLS REQUIRED

- Panel removal tool • Phillips screwdriver

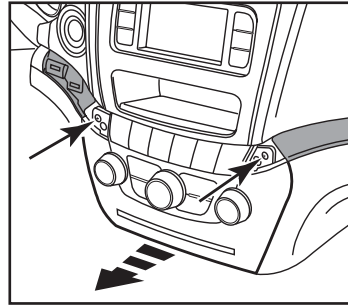
ATTENTION: With the key out of the ignition, disconnect the negative battery terminal before installing this product. Ensure that all installation connections, especially the air bag indicator light, must be secure before cycling the ignition to test this product.
NOTE: Refer also to the instructions included with the aftermarket radio.

DASH DISASSEMBLY

1. Using the panel removal tool, carefully unclip and remove the trim panel along the top of the glove box over to the passenger's side A/C vent. (Figure A)
2. Unsnap and remove the small trim panel to the left of the hazard button. (Figure A)
3. Remove (2) Phillips screws securing the radio/climate control panel, then unclip, unplug and remove the panel. (Figure B)

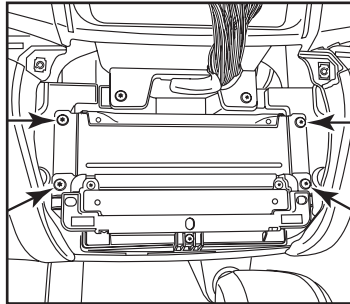


(Figure A)

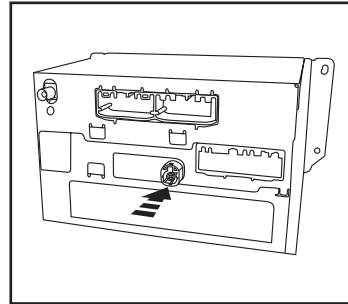


(Figure B)

4. Remove (4) Phillips screws securing the radio chassis. Slide the chassis out, then unplug and remove the chassis. (Figure C)
- Note:** The white 4-pin harness will be reused in Kit Assembly.



(Figure C)



(Figure D)

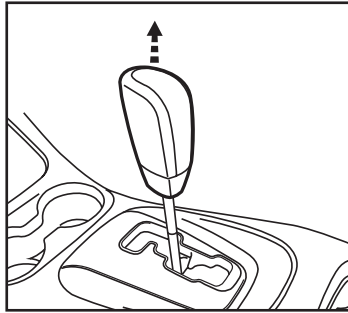
Continued on the next page

DASH DISASSEMBLY (CONT)

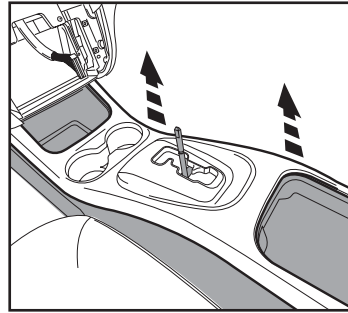
5. Pull up on shift knob to remove. (Figure D).
6. Unclip and remove the shifter trim panel, including the cup holders from the top of the center console. (Figure E)
7. Push down and then pull back and out on the pocket in the front of the console. (Figure F)

Note: You may need to pull the console side panels outward at the same time as pulling out on pocket.

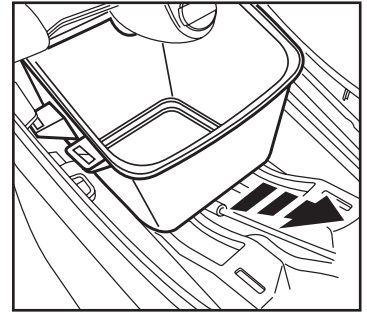
8. Remove the (2) metal panel clips on the front side of the pocket and save for Kit Preparation.



(Figure D)



(Figure E)

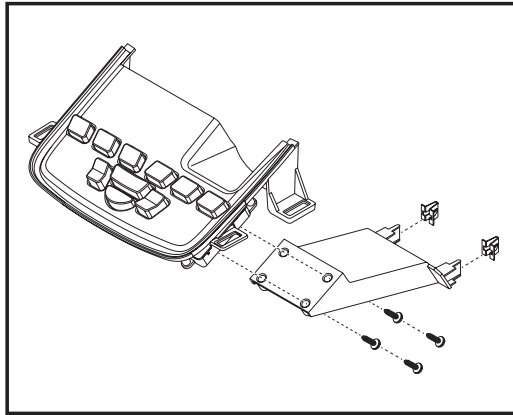


(Figure F)

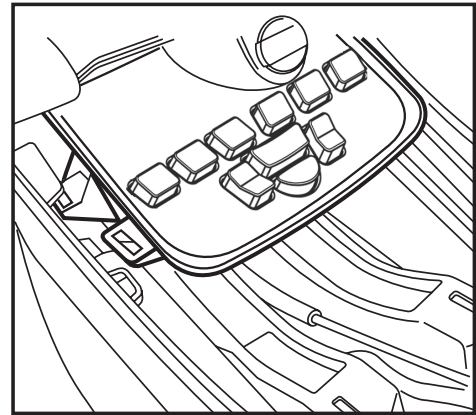
Continue to Kit Preparation

KIT PREPARATION

1. Attach the console bracket to the back of the A/C button housing using (4) #8 x 3/8" Phillips screws provided with this kit. (Figure A)
2. Install the (2) metal panel clips saved from the pocket disassembly onto the console bracket. (Figure A)
3. Using the *climate extension harness* provided with this kit, connect the A/C button housing assembly to the factory wiring harness in the vehicle.
4. Secure the A/C button housing into the pocket space in the front of the center console. (Figure B)



(Figure A)



(Figure B)

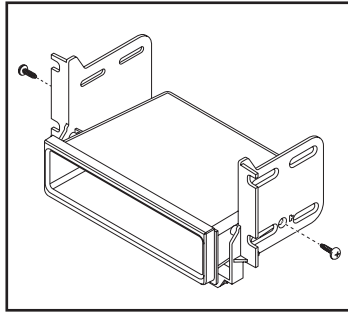
Continue to Kit Assembly

KIT ASSEMBLY

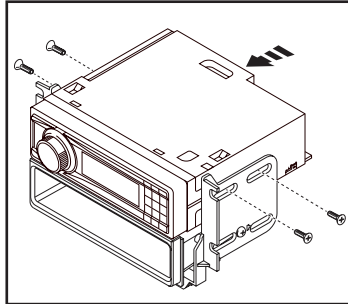
ISO DIN radio provision with pocket

1. Secure the radio brackets to the pocket using the (2) #8 x 3/8" Phillips screws provided with this kit. (Figure A)
Note: Pins on the brackets will align with the front mounting hole of pocket.
2. Remove the metal DIN sleeve and trim ring from the aftermarket radio.
3. Slide the radio into the bracket/pocket assembly, then secure it to the assembly using the screws supplied with the radio. (Figure B)

Continue to Axxess Interface Installation



(Figure A)

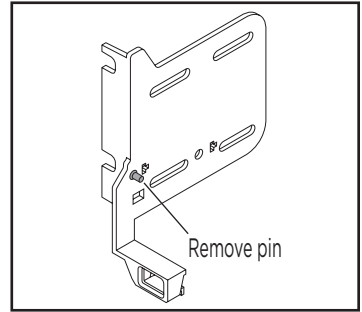


(Figure B)

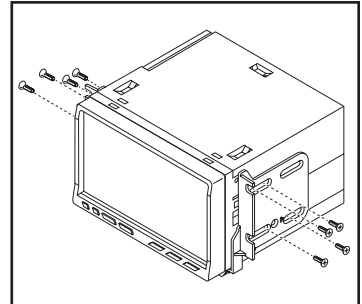
ISO DDIN radio provision

1. Break the small locating pin from the inside surface of each bracket. (Figure A)
2. Secure the radio brackets to the radio using the screws supplied with the radio. (Figure A)

Continue to Axxess Interface Installation



(Figure A)



(Figure B)

AXXESS INTERFACE INSTALLATION

INTERFACE FEATURES

- Provides accessory power (12-volt 10-amp)
- Retains R.A.P. (retained accessory power)
- Used in amplified and non-amplified systems
- Provides NAV outputs (parking brake, reverse, V.S.S.)
- Prewired for an AXXESS steering wheel control interface
- Retains balance and fade
- Ability to add an aftermarket backup camera or additional video input
- Retains the factory display screen
- Micro “B” USB updatable

Note: Does not retain sound from “Driver Convenience Group”

INTERFACE COMPONENTS

- Axxess interface
- 16-pin harness with stripped leads
- 6520 harness

TOOLS REQUIRED

- Crimping tool and connectors, or solder gun, solder, and heat shrink
- Tape • Wire cutter • Zip ties • Small flat-blade screwdriver

TABLE OF CONTENTS

Connections.....	7
Installation	8
Programming.....	8
Final Assembly.....	8
Audio Level Adjustment.....	8
Screen Operation	9-11
Updating The Interface.....	12

CONNECTIONS

From the 16-pin harness with stripped leads to the aftermarket radio, connect as indicated:

- **Red** wire to the accessory wire.
Note: If also installing an AXXESS steering wheel control interface (sold separately, there will be a **Red** wire on the **6520** harness to connect as well.
- **Orange/White** wire to the illumination wire, if applicable.
- **Blue/White** wire to the amp turn-on wire, if equipped with a factory amplifier.

The following (3) wires are for aftermarket multimedia/navigation radios that require these wires:

- **Blue/Pink** wire to the speed sense wire.
- **Green/Purple** wire to the reverse wire.
- **Light Green** wire to the parking brake wire.

Tape off and disregard the following (9) wires, they will not be used in this application:

Brown, White, White/Black, Gray, Gray/Black, Purple, Purple/Black, Green, Green/Black.

From the 6520 harness to the aftermarket radio, connect as indicated:

- **Black** wire to the ground wire.
- **Yellow** wire to the battery wire.
- **Gray** wire to the right front (+) speaker output.
- **Gray/Black** wire to the right front (-) speaker output.
- **White** wire to the left front (+) speaker output.
- **White/Black** wire to the left front (-) speaker output.
- **Green** wire to the left rear (+) speaker output.

From the 6520 harness *continued...*

- **Green/Black** wire to the left rear (-) speaker output.
- **Purple** wire to the right rear (+) speaker output.
- **Purple/Black** wire to the right rear (-) speaker output.
- **Yellow** RCA jack labeled (2) to either an aftermarket backup camera, or an AUX video input.

Disregard the **Yellow** RCA jack labeled (1), it will not be used in this application.

Note: There is also a set of **Green, Green/Black, Violet, Violet/Black** wires coming from the **Black 18-pin connector** that goes to the interface, tape off and disregard these wires, they will not be used in this application.

From the 12-pin 6520 harness connector:

- If the vehicle is not equipped with steering wheel controls, disregard this connector entirely.
- If the vehicle has steering wheel controls, the 12-pin **6520 connector** is to be used along with the optional AXXESS steering wheel control interface (sold separately) to retain steering wheel controls.
- Attach the 12-pin connector from the **6520 harness** to the AXXESS steering wheel control interface (sold separately).

Note: Disregard the harness that comes with the AXXESS steering wheel control interface.

Note: Please verify AXXESS steering wheel control interface connections for your vehicle by visiting www.axxessinterfaces.com, and using the vehicle fit guide to find a vehicle specific instruction.

INSTALLATION

Attention! For models with a 8-inch screen, update the interface via the Axxess Updater available at axxessinterfaces.com. Select "8-inch screen" once prompted to. Instructions to update the interface are available at the end of this instruction booklet.

With the key in the off position:

1. Connect the 16-pin harness with stripped leads, and the 6520 harness, into the interface.
2. Connect the factory "White" 4-pin harness removed in step 4 of Dash Disassembly to the "Black" connector from the interface.
Note: The display screen will not function without this connection.
3. Connect the 6520 harness to the wiring harness in the vehicle.
4. Locate the factory antenna connector in the dash and complete all necessary connections to the radio. Metra recommends using the proper mating adapter from Metra.

Note: If an AXXESS steering wheel control interface (sold separately) will be used, do not connect it until the interface is programmed and fully functional.

PROGRAMMING

1. When the interface first boots up, the factory screen will go through a boot up sequence for a few moments. Do not touch any controls during this process.
2. Test all functions of the installation for proper operation, before reassembling the dash. For amplified models, also refer to the "Audio Level Adjustment" section.

FINAL ASSEMBLY

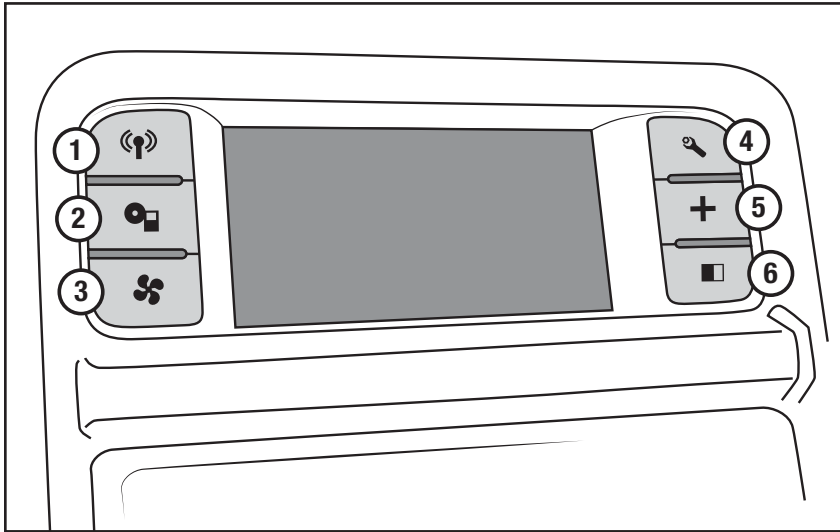
1. Secure the completed assembly to the dash using the factory hardware.
2. Attach the (2) panel clips provided to the 99-6520B radio trim panel, then reassemble the dash in reverse order of disassembly using the 99-6520B panel.

AUDIO LEVEL ADJUSTMENT

For models with a factory amplifier:

1. With the vehicle and radio turned on, turn the volume up 3/4 of the way.
2. With a small flat-blade screwdriver, adjust the potentiometer clockwise to raise the audio level; counterclockwise to lower the audio level.
3. Once at a desired level, audio level adjustment is complete.

FACTORY 4.3 INCH SCREEN OPERATION



1. **Radio button** – Show the current time
2. **Player button** – Not used in this application
3. **Climate button** – Takes you to the climate screen
4. **Setting button** – Takes you to the setting screen
5. **More button** – Shows the outside temperature and current time
6. **Screen Off** – Turns the display off

FACTORY 4.3 INCH SCREEN VIDEO OPTIONS MENU

1. Once in the setting screen, scroll down to the **Customize** button. Pressing the button will take you to the video option screen. (Figure A)
2. Once in the customize menu, you can select to make the Video Input 2 either:



(Figure A)

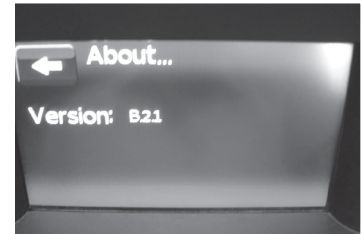


(Figure B)

- **Not Used**
 - **Back-up** (Backup Camera) is controlled by data and will only activate when you put the vehicle in reverse.
 - **AUX** input is controlled by data and will only work while the vehicle is in park. (Figure C)
3. After you have made your selection, tap the **“Done”** button located on the upper left hand corner of the screen to exit.
 4. The **About** button will display the current software of the kit, and also the VIN of the vehicle. (Figure D)

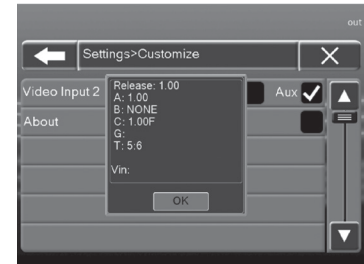
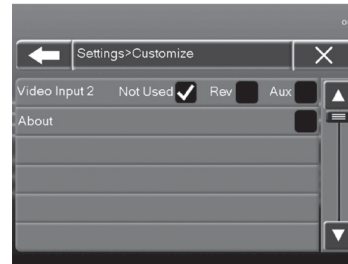
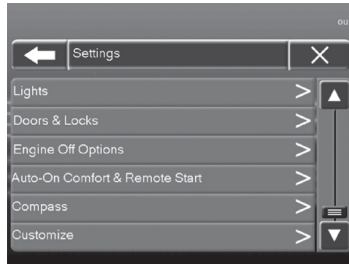


(Figure C)



(Figure D)

FACTORY 8 INCH SCREEN OPERATION



1. Enter the settings menu by tapping the gear icon in the upper left corner of the screen.
2. Once in the setting menu, scroll down and tap the Customize button to enter the customize menu.
3. Once in the customize menu, you can select to make the **Video Input 2** either:
 - **Not Used**
 - **Reverse** (Backup Camera) is controlled by data and will only activate when you put the vehicle in reverse.
 - **AUX** input is controlled by data and will only work while the vehicle is in park.
4. Tapping the About button will display the current version number of the kit, and the VIN number of the vehicle. Tap the **OK** button to exit.
5. After you have made your selection, tap either the **X** or **Back** (left arrow) button one time to return to the previous menu, or two times to return to the main menu.



UPDATING THE INTERFACE

- Download and install the **Axxess Updater** from axxessinterfaces.com.
- Connect the **USB-MINI-CAB** update cable (sold separately) between the interface and the computer. The cable will connect into the **Micro-B USB** port inside the interface.
- From the **Start Menu** of the computer, click on **“Axxess Updater”**, and then click **“Update Firmware”**. The interface will begin to update at this point.

Note: Please note which firmware downloaded to the interface. This will help in troubleshooting, if need be.

Having difficulties? We're here to help.



Contact our Tech Support line at:

386-257-1187



Or via email at:

techsupport@metra-autosound.com

Tech Support Hours (Eastern Standard Time)

Monday - Friday: 9:00 AM - 7:00 PM

Saturday: 10:00 AM - 7:00 PM

Sunday: 10:00 AM - 4:00 PM



KNOWLEDGE IS POWER

Enhance your installation and fabrication skills by enrolling in the most recognized and respected mobile electronics school in our industry. Log onto www.installerinstitute.edu or call 386-672-5771 for more information and take steps toward a better tomorrow.



**Metra recommends MECP
certified technicians**



Dodge Journey 2011-2020

Visite MetraOnline.com para obtener información más detallada sobre el producto y aplicaciones actualizadas específicas para vehículos.

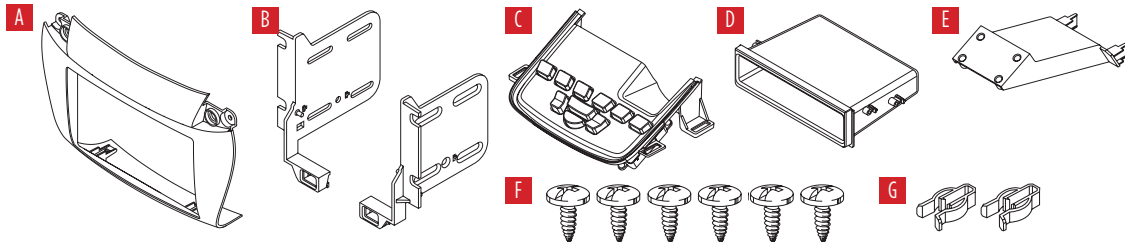
CARACTERÍSTICAS DEL KIT

- Provisión de radio ISO DIN con cavidad
- Provisión de radio ISO DDIN
- La interfase incluida retiene la pantalla de fábrica
- Pintada en negro mate para igualar el acabado de fábrica

Nota: • No retiene el sonido del **Driver Convenience Group**.
• Se perderán las funciones de seguimiento y control de lanzamiento del **Paquete SRT**.

COMPONENTES DEL KIT

- A) Panel de moldura para radio • B) Soportes para radio • C) Carcasa de botón de aire acondicionado • D) Cavidad • E) Soporte de la consola
- F) Tornillos Phillips de cabeza troncocónica #8 de 3/8" (6) • G) Ganchos para panel (2) • H) Arnés de extensión climática (no se muestra)
- I) Interfase y arnés Axxess (no se muestra)



INDICE

Desmontaje del tablero	2-3
Preparación del kit.....	4
Ensamble del kit	
– Provisión de radio ISO DIN con cavidad.....	5
– Provisión de radio ISO DDIN.....	5
Instalación de la interfase Axxess.....	6-12

CABLEADO Y CONEXIONES DE ANTENA

Arnés de cables: Interfase y arneses incluidos
Adaptador de antena: 40-EU10
(se venden por separado)
La interfaz de control del volante AXXESS (se vende por separado)

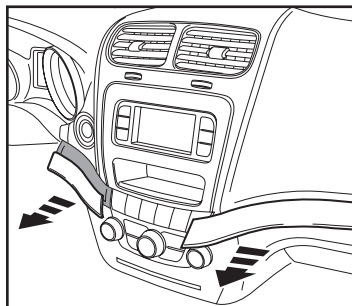
HERRAMIENTAS REQUERIDAS

- Herramienta para quitar paneles
- Destornillador Phillips

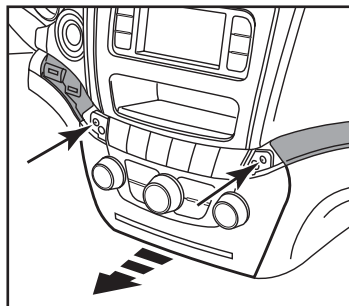
ATENCIÓN: Con la llave fuera del encendido, desconecte el terminal negativo de la batería antes de instalar este producto. Asegúrese de que todas las conexiones de instalación estén seguras antes de realizar un ciclo de encendido para probar este producto.
NOTA: Consulte también las instrucciones incluidas con la radio de mercado secundario.

DESMONTAJE DEL TABLERO

1. Desenganche y quite el panel de la moldura a lo largo de la parte superior de la guantera sobre la rejilla de aire acondicionado del lado del pasajero. (Figura A)
2. Desenganche y quite el panel de moldura pequeño a la izquierda del botón de las luces intermitentes. (Figura A)
3. Quite los (2) tornillos Phillips que sujetan el panel del clima/radio y luego desenganche y quite el panel. (Figura B)



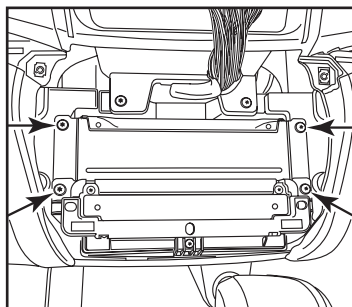
(Figura A)



(Figura B)

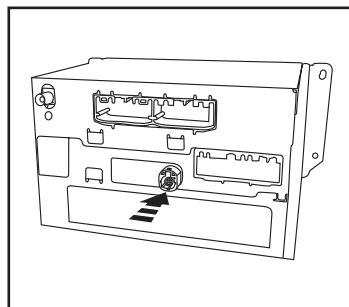
Nota: Se proporciona un arnés de extensión climática para extender este arnés más abajo en la consola central donde el clima se reubicará en.

4. Quite los (4) tornillos Phillips que sujetan el chasis del radio. Deslice el chasis, luego desenchufe y quite el chasis. (Figura C)



(Figura C)

Nota: El arnés blanco de 4 pines se reutilizará en el Ensamble del Kit. (Figura D)

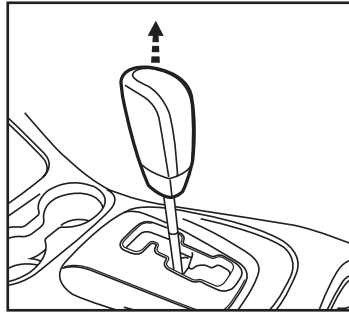


(Figura D)

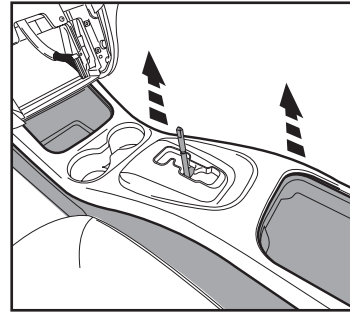
Continúa en la siguiente página

DESMONTAJE DEL TABLERO (CONT)

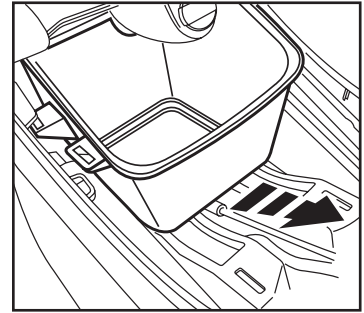
5. Jale hacia arriba la perilla de la palanca de velocidades para quitarla. (Figura D)
6. Desenganche y quite el panel de la moldura de la palanca de velocidades, incluyendo los portavasos de la parte superior de la consola central. (Figura E)
7. Empuje hacia abajo y luego jale hacia atrás y hacia fuera la cavidad al frente de la consola.



(Figura D)



(Figura E)



(Figura F)

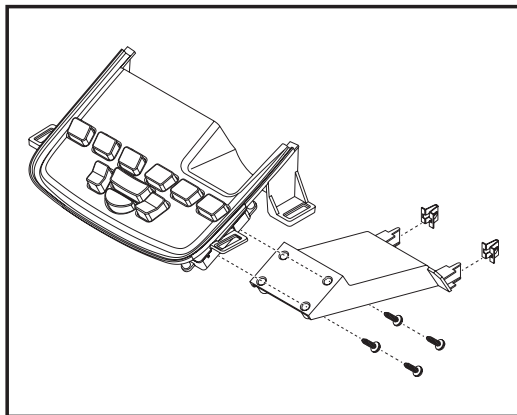
Nota: Quizá tenga que *jalar* los paneles laterales de la consola hacia fuera a la vez que *jala* la cavidad. (Figura F)

8. Quite los (2) ganchos metálicos del panel al frente de la cavidad y guárdelos para Ensamble del Kit.

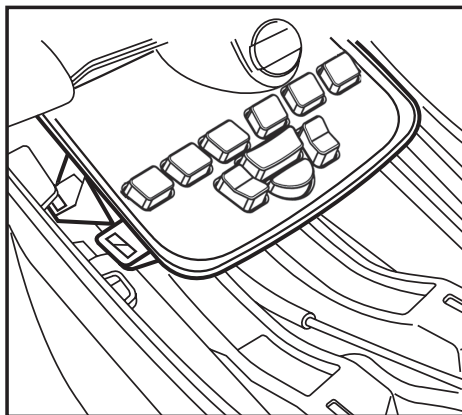
Continúe con la Preparación del Kit

PREPARACIÓN DEL KIT

1. Una el soporte de la consola a la parte posterior de la carcasa del botón de aire acondicionado con (4) de los tornillos Phillips #8 x 3/8" proporcionados. (Figura A)
2. Instale los (2) ganchos metálicos del panel que guardó durante el desensamble de la cavidad en el soporte de la consola. (Figura A)
3. Con el arnés de extensión de clima provisto, conecte el ensamble del carcasa del botón de A / C al arnés de cables de fábrica en el vehículo.
4. Coloque la carcasa del botón del aire acondicionado en el espacio de la cavidad al frente de la consola central. (Figura B)



(Figura A)



(Figura B)

Continúe con el Ensamble del Kit

ENSAMBLE DEL KIT

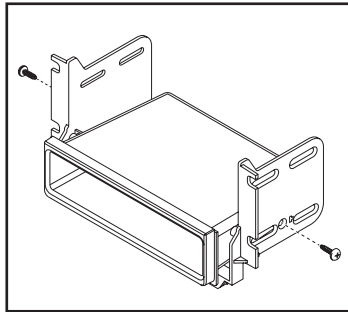
Provisión de radio ISO DIN con bolsillo

1. Atornille los soportes del radio al cavidad con los (2) tornillos Phillips #8 de 3/8" suministrados. (Figura A)

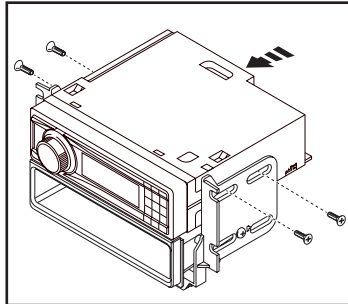
Nota: Los pins de los soportes se alinearán con el orificio de montaje delantero de la cavidad.

2. Quite la manga de metal DIN y el anillo de moldura del radio de mercado secundario.
3. Deslice el en el ensamble de los soportes/cavidad, y luego sujételo con los tornillos suministrados con el radio. (Figura B)

Continúe con *Instalación de la interfase Axxess*



(Figura A)

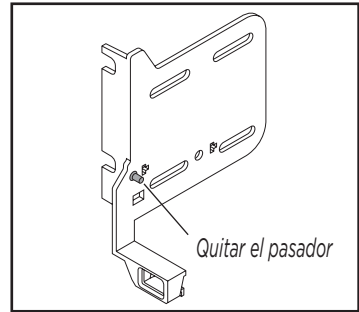


(Figura B)

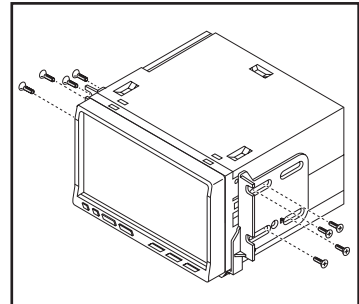
Provisión de radio ISO DDIN

1. Quieb্রে el pequeño pin que está en la superficie interior de cada soporte. (Figura A)
2. Atornille los soportes del radio al radio con los tornillos suministrados. (Figura A)

Continúe con *Instalación de la interfase Axxess*



(Figura A)



(Figura B)

INSTALACIÓN DE LA INTERFASE AXCESS

CARACTERÍSTICAS DE LA INTERFASE

- Provee corriente de accesorios (12 voltios 10 amperes)
- Retiene R.A.P. (corriente de accesorio retenida)
- Se usa en sistemas amplificados y no amplificados
- Proporciona salidas de NAV (freno de mano, reversa, V.S.S.)
- Precableado para una interfaz de control del volante AXCESS
- Retiene el balance y la intensidad
- Capacidad de añadir cámara de reversa de mercado secundario o entrada adicional de video
- Retiene la pantalla de fábrica
- Actualizable a micro "B" USB

Nota: No retiene el sonido desde "Driver Convenience Group"

COMPONENTES DE LA INTERFASE

- Interfase Axxess
- Arnés de 16 pins con conectores pelados
- Arnés 6520

HERRAMIENTAS REQUERIDAS

- Herramienta de ponchadora y conectores, o pistola de soldadura, soldadura y termocontracción
- Cinta • Cortacables • Zip lazos • Pequeño destornillador de cabeza plana

INDICE

Conexiones	7
Instalación	8
Programación	8
Montaje final	8
Ajuste del nivel de audio	8
Operación de la pantalla	9-11
Actualizando	12

Continúa en la siguiente página

Del arnés de 16 pines con conectores pelados al radio de mercado secundario:

- Conecte el cable **rojo** al cable de accesorios.
- **Nota:** Si va a instalar el Interfaz de control del volante AXCESS (se vende por separado), habrá un cable **rojo** en el arnés 6520 para conectar también.
- Conecte el cable anaranjado/blanco con el cable de iluminación, si aplica.
- Si los vehículos están equipados con un amplificador de fábrica, conecte el cable **azul/blanco** al cable de encendido del amplificador.

Las siguientes (3) cables son para radios de mercado secundario con multimedios/navegación que requiere estos cables:

- Conecte el cable **azul/rosa** al cable del sensor de velocidad.
- Conecte el cable **verde/púrpura** al cable de reversa.
- Conecte el cable **verde claro** al cable de freno de mano.
- Encinte e ignore los siguientes (9) cables, ya que no se utilizarán en esta aplicación: **marrón, blanco, blanco/negro, gris, gris/negro, púrpura, púrpura/negro, verde, verde/negro.**

Desde el arnés 6520 al radio de mercado secundario:

- Conecte el cable **negro** al cable de tierra.
- Conecte el cable **amarillo** al cable de la batería.
- Conecte el cable **blanco** con la salida positiva de la bocina izquierda delantera.
- Conecte el cable **blanco/negro** con la salida negativa de la bocina izquierda delantera.
- Conecte el cable **gris** con la salida positiva de la bocina derecha delantera.
- Conecte el cable **gris/negro** con la salida negativa de la bocina derecha delantera.
- Conecte el cable **verde** con la salida positiva de la bocina izquierda trasera.

Desde el arnés 6520 al radio de mercado secundario (cont.):

- Conecte el cable **verde/negro** con la salida negativa de la bocina izquierda trasera.
- Conecte el cable **púrpura** con la salida positiva de la bocina derecha trasera.
- Conecte el cable **púrpura/negro** con la salida negativa de la bocina derecha trasera.
- Encinte e ignore los siguientes (4) cables, ya que no se utilizarán en esta aplicación: **púrpura, púrpura/negro, verde, verde/negro**
- Ignore el conector RCA **amarillo** rotulado (1); no se utilizará en esta aplicación.
- Conecte el conector RCA **amarillo** rotulado (2) a una cámara de reversa del mercado o a una entrada de video AUX.

Desde el conector de arnés 6520 de 12 pines:

- Si el vehículo no está equipado con controles en el volante, ignore este conector por completo.
- Si el vehículo tiene controles en el volante, se debe usar **el conector 6520 de 12 pines** junto con la interfaz controles automáticos del volante opcional (se vende por separado) para retener los controles en el volante.
- Conecte **el conector de 12 pines del arnés 6520** a la Interfaz de control del volante AXCESS (se vende por separado)
Nota: Ignore el arnés que viene con el Interfaz de control del volante AXCESS.
Nota: Verifique las conexiones Interfaz de control del volante AXCESS para su vehículo visitando www.axcessinterfaces.com y utilice la guía de ajuste del vehículo para encontrar una instrucción específica del vehículo.

INSTALACIÓN

¡Atención! Para modelos con una pantalla de 8 pulgadas, actualice la interfaz a través de la actualización de Axxess disponible en axxessinterfaces.com. Seleccione "pantalla de 8 pulgadas" una vez que se le solicite. Las instrucciones para actualizar la interfaz están disponibles al final de este folleto de instrucciones.

Con la llave en la posición de apagado:

1. Conecte el arnés de 16 pines con cables pelados y el arnés 6520 a la interfaz.
2. Conecte el arnés de 4 pines de fábrica "Blanco" retirado en el paso 4 de Desmontaje del tablero al conector "Negro" de la interfaz.

Nota: La pantalla de visualización no funcionará sin esta conexión.

3. Conecte el arnés 6520 al arnés de cableado del vehículo.
4. Ubique el conector de antena de fábrica en el tablero y complete todas las conexiones necesarias a la radio. Metra recomienda usar el adaptador de acoplamiento adecuado de Metra.

Nota: Si se usa un Interfaz de control del volante AXXESS (se vende por separado), no lo conecte hasta que la interfaz esté programada y sea completamente funcional.

PROGRAMACIÓN

1. Cuando la interfaz se inicia por primera vez, la pantalla de fábrica pasará por una secuencia de inicio durante unos momentos. No toque ningún control durante este proceso.
2. Pruebe todas las funciones de la instalación para una operación apropiada, antes de volver a armar el tablero. Para modelos amplificados, también consulte la sección "Ajuste del nivel de audio".

MONTAJE FINAL

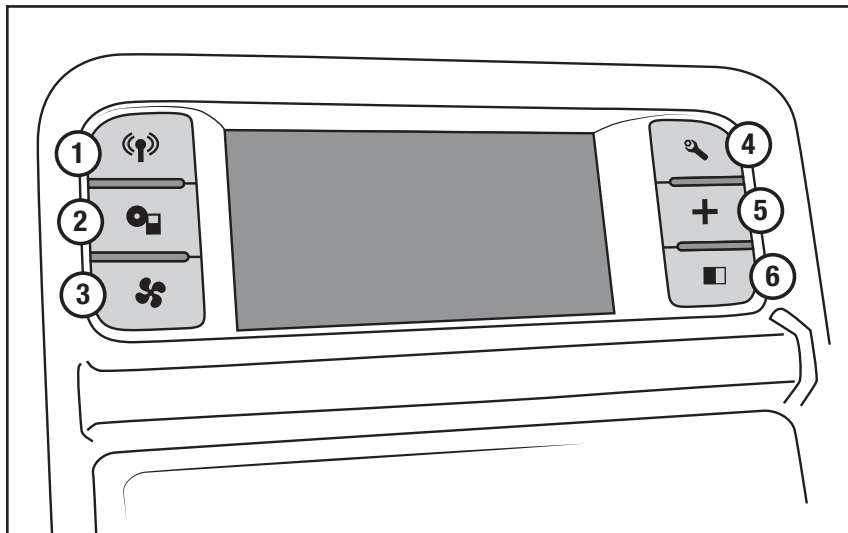
1. Asegure el conjunto completo al tablero usando el hardware de fábrica.
2. Conecte los (2) clips del panel provistos al panel de moldura de radio 99-6520B, luego vuelva a armar el tablero en el orden inverso al de desmontaje usando el panel 99-6520B.

AJUSTE DEL NIVEL DE AUDIO

Para los modelos con amplificador de fábrica:

1. Con el vehículo y el radio encendidos, aumente el volumen hasta 3/4 de su totalidad.
2. Con un pequeño destornillador, ajuste el potenciómetro hacia la derecha para aumentar el nivel de audio y hacia la izquierda para disminuir el nivel de audio.
3. Una vez que haya llegado al nivel deseado, su ajuste del nivel de audio está completo.

FÁBRICA 4.3 PULGADAS OPERACIÓN DE PANTALLA



1. **Botón de radio** – Muestra la hora actual
2. **Botón de reproducción** – no se utilizará en esta aplicación.
3. **Botón de clima** – Lo lleva a la pantalla de clima
4. **Botón de configuración** – Lo lleva a la pantalla de configuración
5. **Botón de más** – Muestra la temperatura exterior y la hora actual
6. **Pantalla apagada** – Apaga la pantalla

FACTORY PANTALLA DE 4.3 PULGADAS MENÚ DE OPCIONES DE VÍDEO

1. Una vez en la pantalla de configuración, desplácese hacia abajo al botón Personalizar. Presionando el El botón te llevará a la opción de video pantalla. (Figura A)
2. Una vez en el menú de personalización, puede seleccione para hacer que la entrada de Video 2 sea: (Figura B)



(Figura A)



(Figura B)

3. Después de haber hecho su selección, toque el botón “Hecho” ubicado en la parte superior esquina izquierda de la pantalla para salir.
4. El botón Acerca de mostrará el software actual del kit, y también el VIN del vehículo. (Figura D)

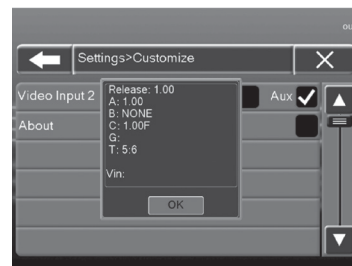
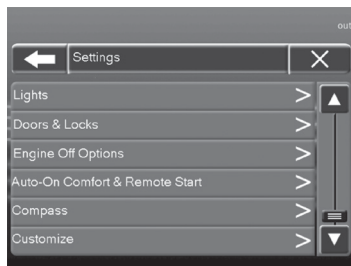


(Figura C)



(Figura D)

FUNCIONAMIENTO DE LA PANTALLA DE FÁBRICA DE 8 PULGADAS



1. Ingrese al menú de configuración tocando el ícono de ajustes en la esquina superior izquierda de la pantalla.
2. Una vez en el menú de configuración, desplácese hacia abajo y toque el botón Personalizar para ingresar al menú de personalización.
3. Una vez en el menú de personalización, puede seleccionar hacer la **Entrada de video 2**:
 - **No utilizado**
 - **La Reversa** (cámara de respaldo) está controlada por datos y solo se activará cuando ponga el vehículo en reversa.
 - La entrada **AUX** está controlada por datos y solo funcionará mientras el vehículo esté estacionado.
4. Al tocar el botón Acerca de, se mostrará el número de versión actual del kit y el número VIN del vehículo. Toque el botón **Aceptar** para salir.
5. Después de haber hecho su selección, toque el botón **X** o **Atrás** (flecha izquierda) una vez para volver al menú anterior, o dos veces para volver al menú principal.



ACTUALIZANDO LA INTERFAZ

- Descargue e instale **Axxess Updater** de axxessinterfaces.com.
- Conecte el cable de actualización **USB-MINI-CAB** (se vende por separado) entre la interfaz y la computadora. El cable se conectará al puerto **USB Micro-B** dentro de la interfaz.
- Desde el menú de inicio de la computadora, haga clic en **“Actualizador Axxess”**, y luego haga clic en **“Actualizar firmware”**. La interfaz comenzará a actualizar en este punto.

Nota: Favor de anotar qué firmware se descargó en la interfaz. Esto ayudará a solucionar problemas, si es necesario.

¿Tienes dificultades? Estamos aquí para ayudar.



Póngase en contacto con nuestra línea de soporte técnico en:



386-257-1187

O por correo electrónico a:
techsupport@metra-autosound.com

Horario de Soporte Técnico (hora estándar del este)

Lunes - Viernes: 9:00 AM - 7:00 PM

Sábado: 10:00 AM - 7:00 PM

Domingo: 10:00 AM - 4:00 PM



EL CONOCIMIENTO ES PODER

Mejore sus habilidades de instalación y fabricación inscribiéndose en la escuela de dispositivos electrónicos móviles más reconocida y respetada de nuestra industria. Regístrese en www.installerinstitute.com o llame al 800-354-6782 para obtener más información y avance hacia un futuro mejor.



Metra recomienda técnicos con certificación del Programa de Certificación en Electrónica Móvil (Mobile Electronics Certification Program, MECP).