



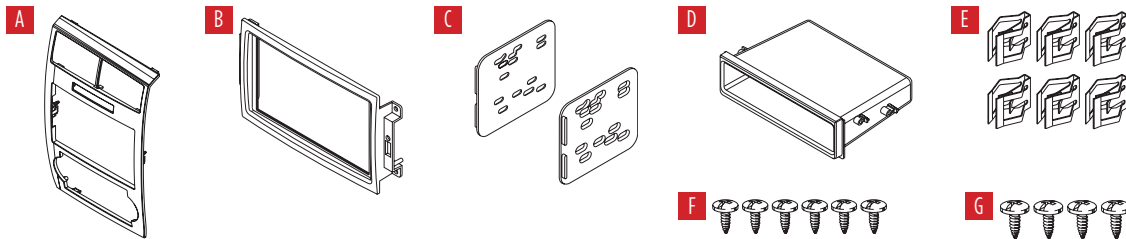
## Dodge Charger/Magnum (without factory NAV) 2005-2007

### KIT FEATURES

- ISO DIN radio provision with pocket
- ISO DDIN radio provision
- Painted matte black (99-6519B), silver (99-6519S) or carbon fiber (99-6519CF)

### KIT COMPONENTS

- A) Radio housing trim panel • B) Radio housing • C) Radio brackets • D) Pocket • E) (6) Panel clips • F) (6) #6 x 3/8" Phillips screws
- G) (4) #8 x 3/8" Phillips screws



### TABLE OF CONTENTS

Dash Disassembly .....	2
Kit Assembly	
–ISO DIN radio provision with pocket .....	3
–ISO DDIN radio provision.....	4

### WIRING & ANTENNA CONNECTIONS (sold separately)

Wiring Harness: XSVI-6502-NAV • CHT0-01  
Antenna Adapter: 40-CR10

### TOOLS REQUIRED

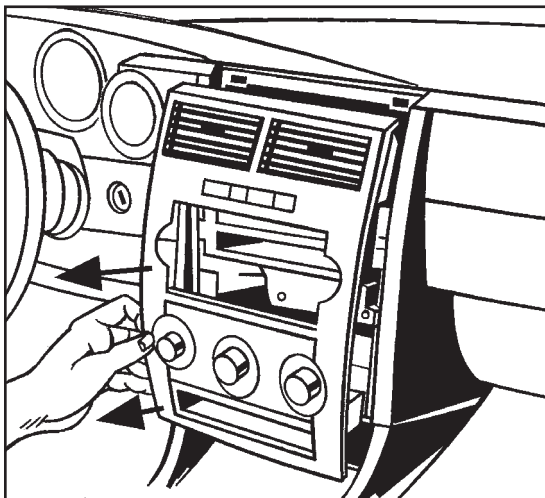
- Panel removal tool • Phillips screwdriver
- 7mm Socket wrench

**CAUTION!** All accessories, switches, climate controls panels, and especially air bag indicator lights must be connected before cycling the ignition. Also, do not remove the factory radio with the key in the on position, or while the vehicle is running.

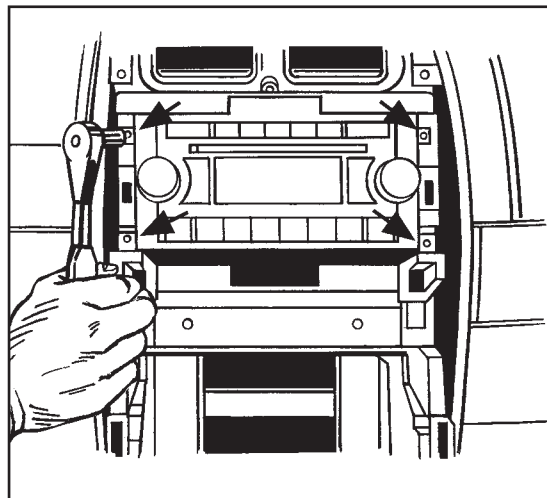
## DASH DISASSEMBLY

1. Unclip and remove entire panel surrounding radio and climate controls, including A/C vents. (Figure A)
2. Remove (4) 7mm screws securing radio to dash and remove radio. (Figure B)
3. Remove factory vents and climate controls from the factory radio panel and transfer to the 99-6519B radio housing trim panel using the screws provided in this package.

*Continue to Kit Assembly*



(Figure A)

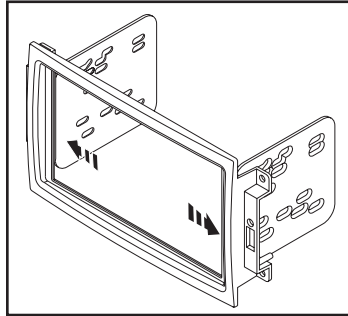


(Figure B)

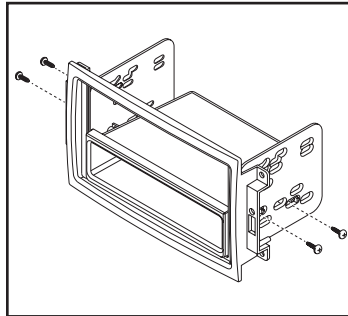
## KIT ASSEMBLY

### ISO DIN radio provision with pocket

1. Attach the *radio brackets* to the *radio housing* by sliding the grooves in the brackets, into the housing. The following step will secure the brackets in place. (Figure A)
2. Attach the *pocket* to the *radio brackets* using the (4) #8 x 3/8" Phillips screws provided. (Figure B)
3. Remove the metal DIN sleeve and trim ring from the aftermarket radio.
4. Slide the radio into the bracket/pocket assembly, and then secure it using the screws supplied with the radio. (Figure C)

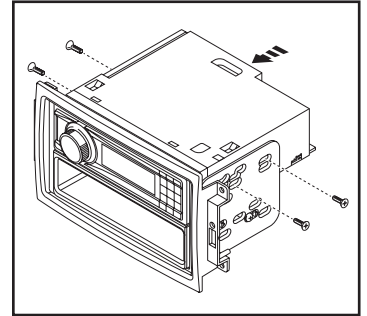


(Figure A)



(Figure B)

5. Locate the factory wiring harness and antenna connector in the dash and complete all necessary connections to the radio. Metra recommends using the proper mating adapter from Metra and/or Axxess. Test the radio for proper operation.
6. Secure the radio assembly to the dash using the factory screws.
7. Attach the (6) panel clips provided to the 99-6519B *radio housing trim panel*, then reassemble the dash in reverse order of disassembly using the 99-6519B *radio housing trim panel* to complete the installation.

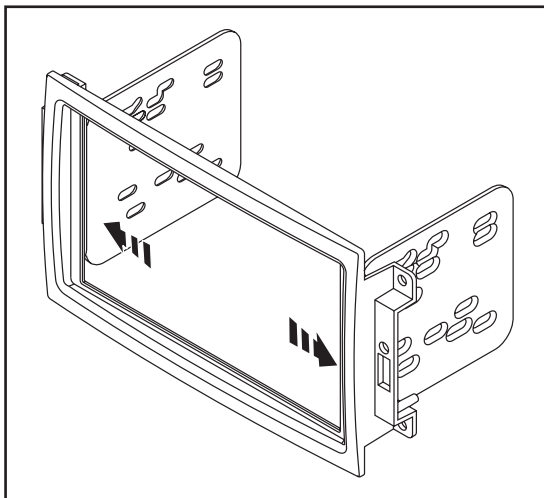


(Figure C)

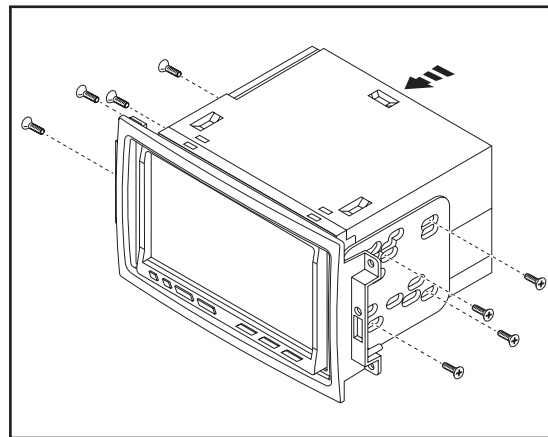
## KIT ASSEMBLY

### ISO DDIN radio provision

1. Attach the *radio brackets* to the *radio housing* by sliding the grooves in the brackets, into the housing. The following step will secure the brackets in place. (Figure A)
2. Attach the *radio brackets* to the radio using the screws supplied with the radio. (Figure B)
3. Locate the factory wiring harness and antenna connector in the dash and complete all necessary connections to the radio. Metra recommends using the proper mating adapter from Metra and/or Axxess. Test the radio for proper operation.
4. Secure the radio assembly to the dash using the factory screws.
5. Attach the (6) panel clips provided to the *99-6519B radio housing trim panel*, then reassemble the dash in reverse order of disassembly using the *99-6519B radio housing trim panel* to complete the installation.



(Figure A)



(Figure B)



Lined writing area on the left side of the page, consisting of 16 horizontal lines.

Lined writing area on the right side of the page, consisting of 16 horizontal lines.





---

---

---

---

---

---

---

---

---

---

---

---

---

---

---

---

---

---

---

---

---

---

---

---

---

---

---

---

---

---

---

---

---

---

---

---




---

---

---

---

---

---

---

---

---

---

---

---

---

---

---

---

---



---

---

---

---

---

---

---

---

---

---

---

---

---

---

---

---

---



**99-6519**  
INSTALLATION INSTRUCTIONS



**IMPORTANT**

*If you are having difficulties with the installation of this product, please call our Tech Support line at 1-800-253-TECH. Before doing so, look over the instructions a second time, and make sure the installation was performed exactly as the instructions are stated. Please have the vehicle apart and ready to perform troubleshooting steps before calling.*



**KNOWLEDGE IS POWER**

Enhance your installation and fabrication skills by enrolling in the most recognized and respected mobile electronics school in our industry. Log onto [www.installerinstitute.com](http://www.installerinstitute.com) or call 800-354-6782 for more information and take steps toward a better tomorrow.



**Metra recommends MECP certified technicians**





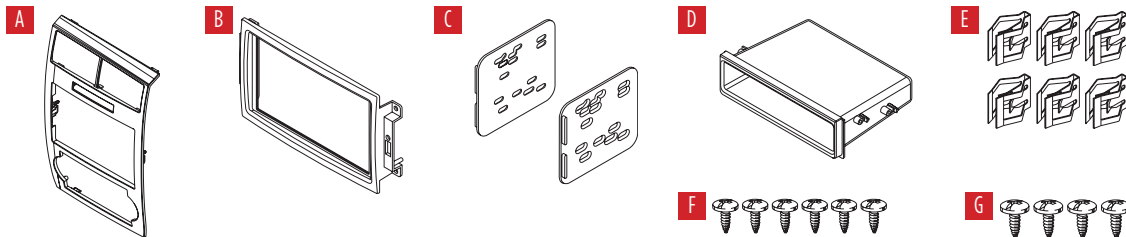
## Dodge Charger/Magnum (sin NAV de fábrica) 2005-2007

### CARACTERÍSTICAS DEL KIT

- Provisión de radio ISO DIN con cavidad
- Provisión de radio ISO DDIN
- Pintura negro mate (99-6519B), plata (99-6519S) o fibra de carbono (99-6519CF)

### COMPONENTES DEL KIT

- A) Panel de moldura del radio • B) Carcasa del radio • C) Soportes del radio • D) Cavidad • E) (6) ganchos para panel  
• F) (6) Tornillos Phillips #6 de 3/8" • G) (4) Tornillos Phillips #8 de 3/8"



### INDICE

Desmontaje del tablero .....	2
Ensamble del kit	
– Provisión de radio ISO DIN con cavidad.....	3
– Provisión de radio ISO DDIN.....	4

### CABLEADO Y CONEXIONES DE ANTENA

(se venden por separado)

Árnés de cables: XSVI-6502-NAV • CHTO-01

Adaptador de antena: 40-CR10

### HERRAMIENTAS REQUERIDAS

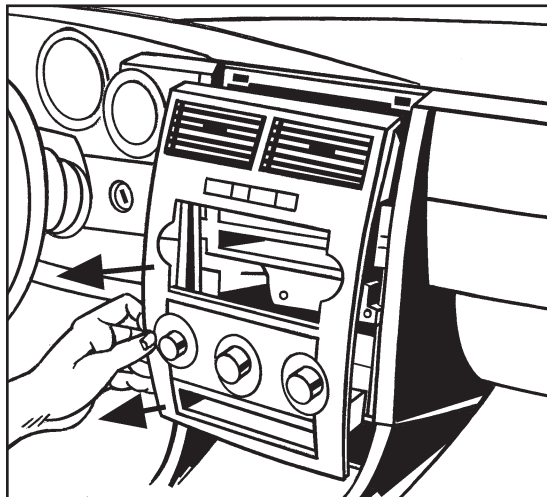
- Herramienta para quitar paneles
- Destornillador Phillips • Llave de tubo 7mm

**¡PRECAUCIÓN!** Todos los accesorios, interruptores, paneles de controles de clima y especialmente las luces del indicador de las bolsas de aire deben estar conectados antes de encender el vehículo. Además, no quite el radio de fábrica con la llave en la posición de encendido ni con el vehículo funcionando.

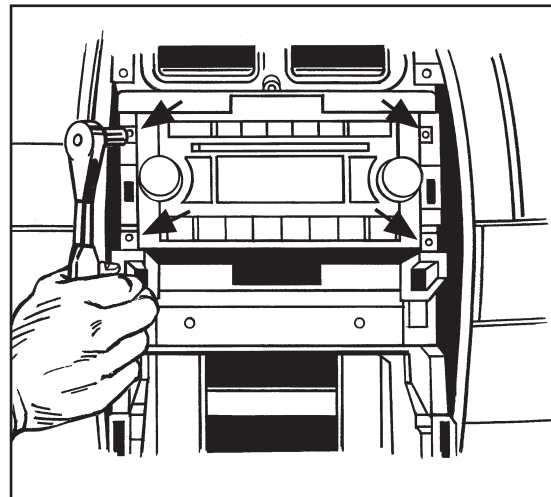
## DESMONTAJE DEL TABLERO

1. Desenganche y retire todo el panel que rodea el radio y los controles del clima, incluyendo las rejillas del aire acondicionado y el reloj. (Figura A)
2. Retire los (4) tornillos de 7 mm que sujetan el radio al tablero y retire el radio. (Figura B)
3. Retire las rejillas de fábrica, el reloj y la placa de interruptores del panel del radio de fábrica y transfiera al *panel del radio 6519B* con los tornillos de fábrica (los tornillos también se proporcionan en este paquete).

Continúe con el ensamble del kit



(Figura A)

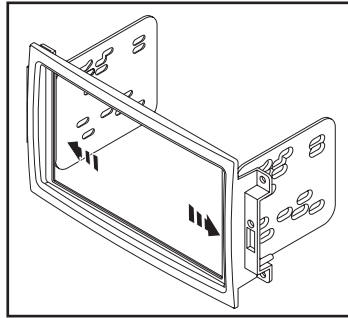


(Figura B)

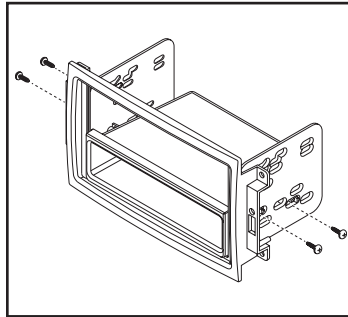
## ENSAMBLE DEL KIT

### Provisión de radio ISO DIN con cavidad

1. Fije los *soportes de radio* a la carcasa de la radio deslizando las ranuras en los soportes, dentro de la carcasa. El siguiente paso asegurará los soportes en su lugar. (Figura A)
2. Sujete una *cavidad* a los *soportes del radio* usando los (4) tornillos #8 de 3/8" Phillips suministrados. (Figura B)
3. Quite la manga de metal DIN y el anillo de moldura del radio de mercado secundario.
4. Deslice el radio en el ensamble terminado y luego sujételo al ensamble con los tornillos suministrados con el radio. (Figura C)

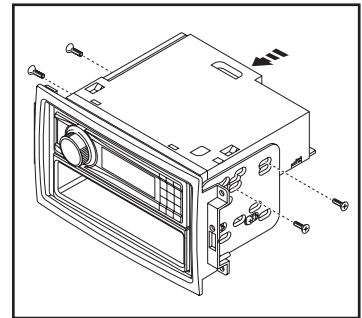


(Figura A)



(Figura B)

5. Localice el arnés de cableado de fábrica y el conector de la antena en el tablero y realice todas las conexiones necesarias al radio. Metra recomienda el uso de un adaptador adecuado de acoplamiento de Metra. Pruebe el radio para verificar si funciona bien.
6. Sujete el ensamble completo al tablero utilizando los tornillos de fábrica.
7. Conecte los (6) *clips del panel* provistos al panel de revestimiento del alojamiento de la radio 99-6519, luego vuelva a montar el tablero en orden inverso al de desmontaje utilizando el panel de ajuste de la carcasa del radio 99-6519 para completar la instalación.

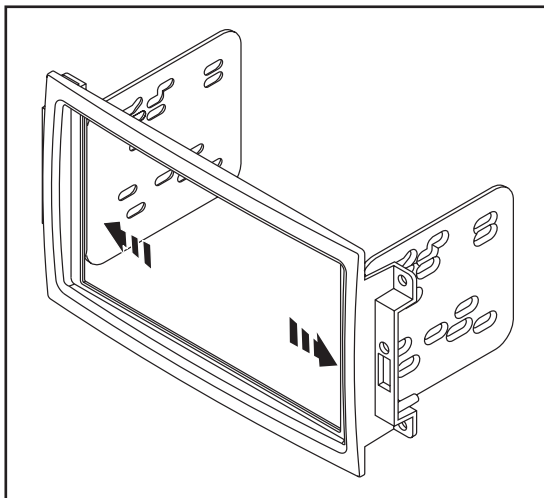


(Figura C)

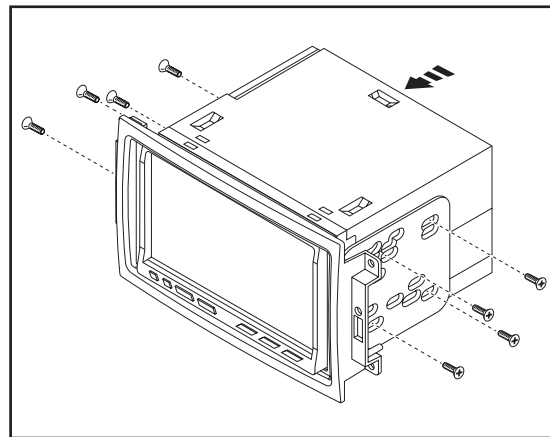
## ENSAMBLE DEL KIT

### Provisión de radio ISO DDIN

1. Fije los *soportes de radio* a la carcasa de la radio deslizando las ranuras en los soportes, dentro de la carcasa. El siguiente paso asegurará los soportes en su lugar. (Figura A)
2. Conecte los *soportes de radio* a la radio con los tornillos suministrados con la radio. (Figura B)
3. Localice el arnés de cableado de fábrica y el conector de la antena en el tablero y realice todas las conexiones necesarias al radio. Metra recomienda el uso de un adaptador adecuado de acoplamiento de Metra. Pruebe el radio para verificar si funciona bien.
4. Sujete el ensamble completo al tablero utilizando los tornillos de fábrica.
5. Conecte los (6) *clips del panel* provistos al panel de revestimiento del alojamiento de la radio 99-6519, luego vuelva a montar el tablero en orden inverso al de desmontaje utilizando el panel de ajuste de la carcasa del radio 99-6519 para completar la instalación.



(Figura A)



(Figura B)



---

---

---

---

---

---

---

---

---

---

---

---

---

---

---

---

---

---

---

---

---

---

---

---

---

---

---

---

---

---

---

---

---

---

---

---

---

---

---

---

---

---



---

---

---

---

---

---

---

---

---

---

---

---

---

---

---

---

---

---

---

---

---

---

---

---

---

---

---

---

---

---

---

---

---

---

---

---

---

---

---

---

---

---

---

---

---

---

---

---

---

---

---

---

---

---

---

---

---

---

---

---



---

---

---

---

---

---

---

---

---

---

---

---

---

---

---

---

---

---

---

---

---

---

---

---

---

---

---

---

---

---

---

---

---

---

---

---

---

---

---

---

---

---

---

---

---

---



**99-6519**  
INSTRUCCIONES DE INSTALACIÓN



#### IMPORTANTE

*Si tiene dificultades con la instalación de este producto, llame a nuestra línea de soporte técnico al 1-800-253-TECH. Antes de hacerlo, revise las instrucciones por segunda vez y asegúrese de que la instalación se haya realizado exactamente como se indica en las instrucciones. Por favor tenga el vehículo desarmado y listo para ejecutar los pasos de resolución de problemas antes de llamar.*



#### EL CONOCIMIENTO ES PODER

Mejore sus habilidades de instalación y fabricación inscribiéndose en la escuela de dispositivos electrónicos móviles más reconocida y respetada de nuestra industria. Regístrese en [www.installerinstitute.com](http://www.installerinstitute.com) o llame al 800-354-6782 para obtener más información y avance hacia un futuro mejor.



**Metra recomienda MECP**  
**Técnicos certificados**