



Ford Fusion* 2013-2019

* With manual climate control

Visit MetraOnline.com for more detailed information about the product and up-to-date vehicle specific applications

KIT FEATURES

- ISO DIN radio provision with pocket
- ISO DDIN radio provision
- Included interface for climate and steering wheel functions
- Painted black

KIT COMPONENTS

- A) Radio trim panel • B) Radio brackets • C) Pocket • D) Heated seat buttons (L & R) Blank panels • E) #8 x 3/8" Phillips screws (4)
- F) Panel clips (4) • G) HVAC interface and wiring harness (not shown) • H) Antenna adapter (not shown)

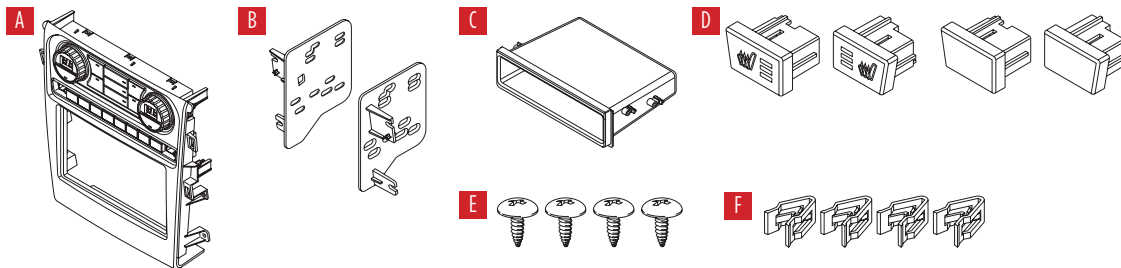


TABLE OF CONTENTS

Dash Disassembly.....	2-3
Kit Preparation.....	4
Kit Assembly	
–ISO DIN radio provision with pocket.....	5
–ISO DDIN radio provision.....	5
Axxess Interface Installation.....	6-13
Final Assembly.....	10

WIRING & ANTENNA CONNECTIONS

Wiring Harness: Axxess interface built into kit
Antenna Adapter: Included with kit

TOOLS REQUIRED

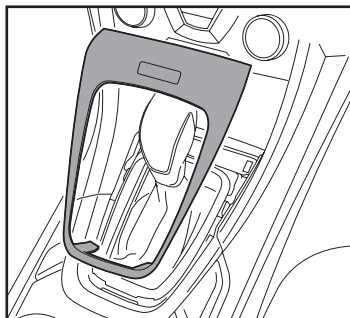
- Panel removal tool • Phillips screwdriver
- 9/32" socket wrench • Cutting tool

Attention! With the key out of the ignition, disconnect the negative battery terminal before installing this product. Ensure that all installation connections are secure before cycling the ignition to test this product.

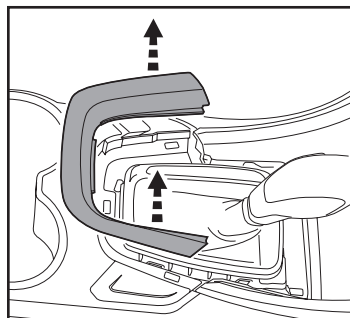
DASH DISASSEMBLY

For 2013-2016 models only:

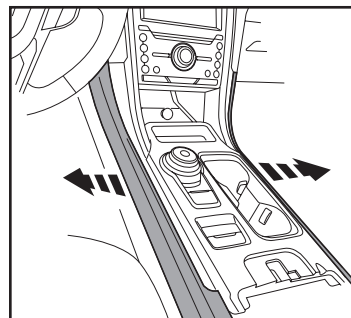
1. Unclip the trim from around the shifter. (Figure A)
2. Unclip the U-shaped trim from the rear of the shifter. (Figure B)



(Figure A)



(Figure B)



(Figure C)

For 2017-2019 models only:

3. Unclip and remove the left and right side panels from the center console, then remove the (2) 9/32" screws exposed. (Figure C)

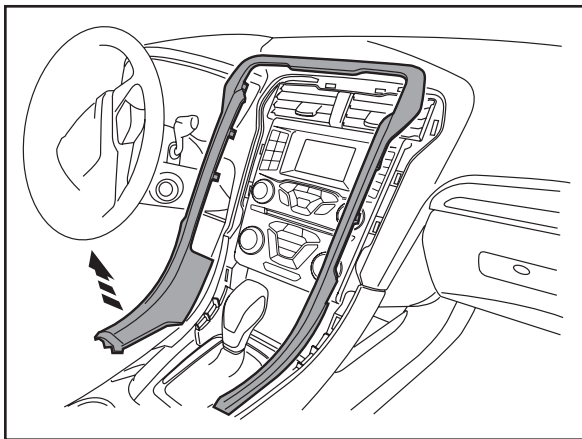
Continued on the next page

DASH DISASSEMBLY (CONT.)

All models:

4. Unclip the trim surrounding the center dash. (Figure D)
5. Remove (2) 9/32" screws securing the radio/climate control panel, then unclip, unplug, and remove the panel.
6. Remove (4) 9/32" screws securing the display screen, and then unplug and remove the screen.
7. Remove (2) 9/32" screws securing the radio chassis, then unplug and remove the chassis.

Continue to Kit Preparation



(Figure D)

KIT PREPARATION

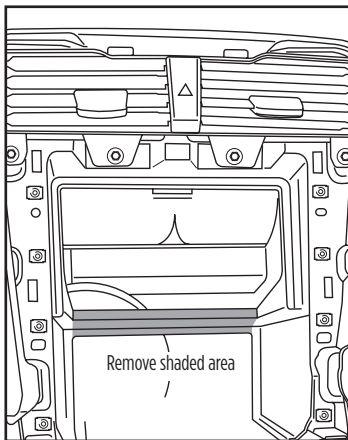
1. Cut and remove the shaded area from the sub-dash to allow clearance for the aftermarket radio. (Figure A)

To the 99-5854B radio trim panel:

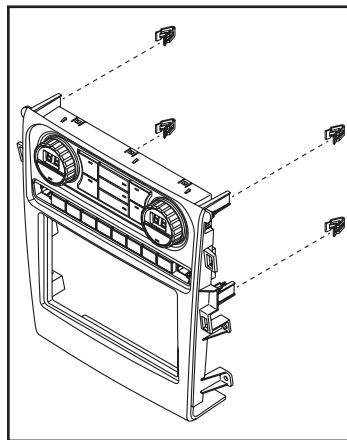
2. Attach (4) **panel clips** provided on to the **radio trim panel**. (Figure B)
3. **For models with heated seats:**
Clip in the **heated seat buttons**. (Figure C)

For models without heated seats:
Clip in the **blank panels**. (Figure C)

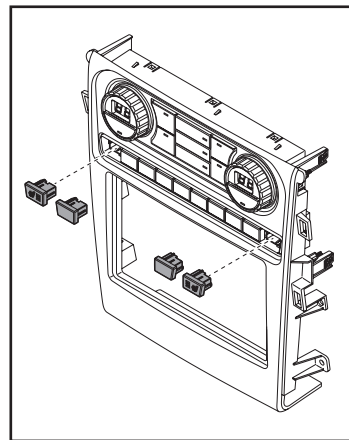
Continue to Kit Assembly



(Figure A)



(Figure B)



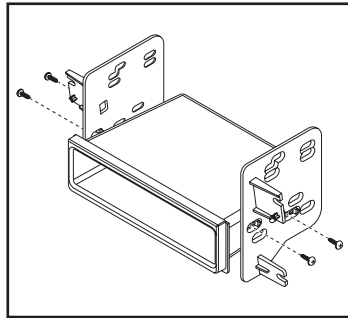
(Figure C)

KIT ASSEMBLY

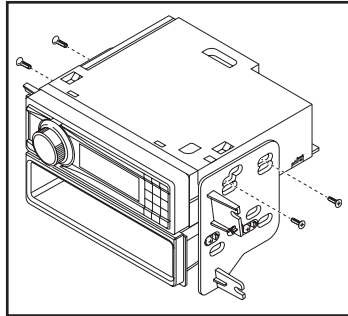
ISO DIN radio provision with pocket

1. Secure the **radio brackets** to the **pocket** using the Phillips screws provided. (Figure A)
2. Remove the metal DIN sleeve and trim ring from the aftermarket radio.
3. Slide the radio into the bracket/pocket assembly, then secure it using the screws supplied with the radio. (Figure B)

Continue to Axxess Interface Installation



(Figure A)

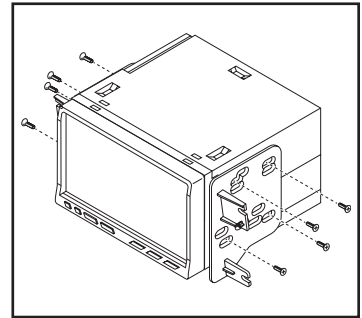


(Figure B)

ISO DDIN radio provision

1. Secure the **radio brackets** to the radio using the screws supplied with the radio. (Figure A)

Continue to Axxess Interface Installation



(Figure A)

AXCESS INTERFACE INSTALLATION

INTERFACE FEATURES

- Provides accessory power
- Retains R.A.P. (retained accessory power)
- Provides NAV outputs (parking brake, reverse, speed sense)
- Retains audio controls on the steering wheel
- Retains the factory backup camera
- Retains balance and fade
- Allows the override of the STOP/START engine feature
- The factory STOP/START button can resume the STOP/START feature
- Micro-B USB updatable

INTERFACE COMPONENTS

- Axcess interface (built into kit)
- 5854 harness
- HVAC interface
- HVAC interface harness
- 4-pin flat to 4-pin stacked harness
- 16-pin harness with stripped leads
- 14-pin harness with stripped leads
- 54-pin backup camera harness
- 12-pin backup camera harness
- Female 3.5mm connector with stripped leads

TABLE OF CONTENTS

Connections.....	7-8
Installation	9
Programming.....	10
Configuration Menu.....	11-13

TOOLS REQUIRED

- Crimping tool and connectors, or solder gun, solder, and heat shrink
- Tape • Wire cutter • Zip ties

CONNECTIONS

From the 16-pin harness with stripped leads to the aftermarket radio:

- Connect the **Red** wire to the accessory wire.
- If the aftermarket radio has an illumination wire, connect the **Orange/White** wire to it.
- Connect the **Gray** wire to the right front positive speaker output.
- Connect the **Gray/Black** wire to the right front negative speaker output.
- Connect the **White** wire to the left front positive speaker output.
- Connect the **White/Black** wire to the left front negative speaker output.
- Tape off and disregard the following (6) wires, they will not be used in this application.
Blue/White, Green, Green/Black, Purple, Purple/Black, Brown

The following (3) wires are only for multimedia/navigation radios that require these wires.

- Connect the **Blue/Pink** wire to the VSS/speed sense wire.
- Connect the **Green/Purple** wire to the reverse wire.
- Connect the **Light Green** wire to the parking brake wire

From the 5854 harness to the aftermarket radio:

- Connect the **Black** wire to the ground wire.
- Connect the **Yellow** wire to the battery wire.
- Connect the **Blue** wire to the power antenna wire.
- Connect the **Green** wire to the left rear positive speaker output.
- Connect the **Green/Black** wire to the left rear negative speaker output.
- Connect the **Purple** wire to the right rear positive speaker output.
- Connect the **Purple/Black** wire to the right rear negative output.

- Disregard the **Red** and **White** RCA jacks labeled “RSE/SYNC@/SAT”, they will not be used in this application.
- Disregard the **Red** and **White** RCA jacks labeled “FROM 3.5”, they will not be used in this application.

Continued on the next page

3.5mm jack - steering wheel control retention:

- The 3.5mm jack is to be used to retain audio controls on the steering wheel control.
- For the radios listed below:** Connect the included **female 3.5mm connector with stripped leads**, to the male 3.5mm SWC jack from the **5854 harness**. Any remaining wires tape off and disregard:
 - Eclipse:** Connect the steering wheel control wire, normally **Brown**, to the **Brown/White** wire of the connector. Then connect the remaining steering wheel control wire, normally **Brown/White**, to the **Brown** wire of the connector.
 - Metra OE:** Connect the steering wheel control Key 1 wire (**Gray**) to the **Brown** wire.
 - Kenwood or select JVC with a steering wheel control wire:** Connect the **Blue/Yellow** wire to the **Brown** wire.

Note: If your Kenwood radio auto detects as a JVC, manually set the radio type to Kenwood. See the instructions under changing radio type.
 - XITE:** Connect the steering wheel control SWC-2 wire from the radio to the **Brown** wire.
 - Parrot Asteroid Smart or Tablet:** Connect the 3.5mm jack into the AX-SWC-PARROT (sold separately), and then connect the 4-pin connector from the AX-SWC-PARROT into the radio.

Note: The radio must be updated to rev. 2.1.4 or higher software.
 - Universal “2 or 3 wire” radio:** Connect the steering wheel control wire, referred to as Key-A or SWC-1, to the **Brown** wire of the connector. Then connect the remaining steering wheel control wire, referred to as Key-B or SWC-2, to the **Brown/White** wire of the connector. If the radio comes with a third wire for ground, disregard this wire.

Note: After the interface has been programmed to the vehicle, refer to the manual provided with the radio for assigning the SWC buttons. Contact the radio manufacturer for more information.
- For all other radios:** Connect the 3.5mm jack into the port on the radio designated for an external steering wheel control interface. Refer to the manual provided with the radio if in doubt as to where the 3.5mm jack goes to.

Backup camera harness:

For models with a 4.2-inch display screen:

- Use the 12-pin backup camera harness.

For models with an 8-inch display screen:

- Use the 54-pin backup camera harness.

From the 14-pin harness with stripped leads to the aftermarket radio:

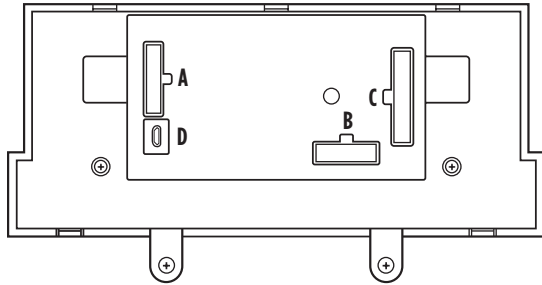
The following (2) wires are for triggering a relay from the buttons on the face of the kit. The outputs are latching which means they will stay active until the button is pressed again (or until the key has been turned off). This can be used to turn on items such as accent lighting, or fans to cool aftermarket amplifiers.

- Connect the **Blue/Red** wire labeled “AUX 1” to the negative input from an automotive SPDT relay (sold separately).
- Connect the **Blue/Black** wire labeled “AUX 2” to the negative input from an automotive SPDT relay (sold separately).

INSTALLATION

Climate control panel

1. Connect the **16-pin harness with stripped leads** into port **A**.
2. Connect the **14-pin harness with stripped leads** into port **B**.
3. Connect the **5854 harness** into port **C**, and then to the wiring harnesses in the vehicle. These harnesses are the ones removed in **Dash Disassembly**, step 7.
4. Port **D** is a Micro-B USB input for updating the interface.



HVAC interface

5. Connect the **HVAC interface harness** into the **HVAC interface**, and then to the wiring harnesses in the vehicle. These harnesses are the ones removed in **Dash Disassembly**, step 4.

Attention! Disregard the 10-pin connector from the HVAC interface harness, it will not be used in this application.

6. Connect the **4-pin flat to 4-pin stacked harness into the HVAC interface**, and then to the passenger airbag light assembly.
7. Connect the 6-pin harness from the **5854 harness** to the **HVAC interface**.
8. **For models with a 4.2-inch display screen:** Connect the **12-pin backup camera harness** to the wiring harness in the vehicle. This harness is the one removed in **Dash Disassembly**, step 5.

For models with an 8-inch display screen: Connect the female connector from the **54-pin backup camera harness** to the wiring harness in the vehicle. This connector is located behind the factory display screen, which was removed in **Dash Disassembly**, step 5.

Note: Disregard the male connector, it will not be used in this application.

9. Locate the factory antenna connector in the dash and complete all necessary connections to the radio. Use the **antenna adapter** provided to adapt the factory antenna connector to the aftermarket radio.

PROGRAMMING

1. Open the driver's door, and keep open during the programming process.
2. Cycle the ignition on and wait until the climate control lights turn blue.
Note: If the lights don't turn blue, unplug port **C** from the tactile panel for a few seconds, then try again.
3. Test all functions of the installation for proper operation, before reassembling the dash.
Note: The compass in the driver's information center will no longer be functional.

FINAL ASSEMBLY

1. Secure the completed assembly into the upper dash using the factory hardware removed in **Dash Disassembly**, step 7.
2. Snap the **radio trim panel** over the completed assembly, then reassemble the dash in reverse order of disassembly to complete the installation.

CONFIGURATION MENU

The buttons (on the right side of the steering wheel) will be used to enter, navigate, and make changes to the menu. The display on the climate knobs will be used to view the menu.

1. With the driver's door open, press and hold the **OK** button, then cycle the key on.
2. Press the seek buttons (**left** and **right** arrows) to toggle through the menu options available. Refer to the **Menu Options** table for a list of options, and description of each option.
3. Press the volume buttons (**up** and **down** arrows) to toggle through the sub-menu options available. Refer to the appropriate **Sub-Menu Options** table for the item in interest.
4. Once an item has been chosen to change, press the **OK** button.
5. Navigate to "d o", then press the **OK** button to exit the Configuration Menu.
6. If no activity after 10-seconds the Configuration Menu will close.

Menu Options

Left Knob Display	Right Knob Display	Description
A.L	Will display current state	Ambient Lighting
A.G		OEM Amplifier Gain
A.S.		Auto Stop/Start Override
r.d		Radio Detection
b.L.		Backlight
U O		Version Number of Kit
d o	n E	Done/Quit

Sub-Menu Options

Ambient Lighting

Left Knob Display	Right Knob Display	Ambient lighting Color
A.L	lb	Ice Blue
A.L	Or	Orange
A.L	Sb	Soft Blue
A.L	rd	Red
A.L	Gr	Green
A.L	bL	Blue
A.L	PU	Purple

OEM Amplifier Gain

Left Knob Display	Right Knob Display
A.G	0 to 30

Auto Stop/Start Override

Left Knob Display	Right Knob Display	
A.S	0.0	Disabled (no over-ride)
A.S	0.1	Enabled

Continued on the next page

CONFIGURATION MENU (CONT.)

Sub-Menu Options (cont.)

- Press the **OK** button on the steering wheel to start the auto detection process.

Radio Detection

Left Knob Display	Right Knob Display	Radio Manufacturer	Keynotes
r.d	1	Eclipse (Type 1)	1
r.d	2	Kenwood	2
r.d	3	Clarion (Type 1)	1
r.d	4	Boss (type 1)/Dual/Sony	1 (Boss)
r.d	5	JVC	
r.d	6	Pioneer/Jensen	
r.d	7	Alpine	3
r.d	8	Boss (type 4)/Visteon	1 (Boss)
r.d	9	Valor	
r.d	10	Clarion (Type 2)	1
r.d	11	Boss (Type 2)	
r.d	12	Eclipse (Type 2)	1
r.d	13	LG	

Radio Detection (cont.)

Left Knob Display	Right Knob Display	Radio Manufacturer	Keynote
r.d	14	Parrot	4
r.d	15	XITE	
r.d	16	Philips	
r.d	17	Kicker	
r.d	18	JBL	
r.d	19	Insane Audio	
r.d	20	Magnadyne	
r.d	21	Boss (type 3)	
r.d	22	Axxera	

1. If the steering wheel controls don't work, change the radio type to the opposite radio type.
2. If the display shows 5 (**JVC**), change the radio type to 2 (**Kenwood**).
3. If the display shows **Alpine**, but an **Alpine** radio isn't installed, make sure the 3.5mm jack is plugged in.
4. **AX-SWC-PARROT** required (sold separately). The software in the radio must be rev. 2.1.4 or higher.

Continued on the next page

CONFIGURATION MENU *(CONT.)*

Sub-Menu Options (cont.)

Backlight

Left Knob Display	Right Knob Display	Backlight Color
b.L	--	No backlight
b.L	rD	Red
b.L	Or	Orange
b.L	YE	Yellow
b.L	LG	Lime Green
b.L	Gr	Green
b.L	CY	Cyan
b.L	BL	Blue
b.L	Pu	Purple
b.L	HP	Hot Pink

Version Number of Kit

Left Knob Display	Right Knob Display
U0	Will display current version of kit

Done/Quit

- Press the **OK** button on the steering wheel to exit the Configuration Menu.

Left Knob Display	Right Knob Display
d o	n E







99-5854B
INSTALLATION INSTRUCTIONS



Having difficulties? We're here to help.



Contact our Tech Support line at:
386-257-1187



Or via email at:
techsupport@metra-autosound.com

Tech Support Hours (Eastern Standard Time)

Monday - Friday: 9:00 AM - 7:00 PM

Saturday: 10:00 AM - 7:00 PM

Sunday: 10:00 AM - 4:00 PM



KNOWLEDGE IS POWER

Enhance your installation and fabrication skills by enrolling in the most recognized and respected mobile electronics school in our industry. Log onto www.installerinstitute.edu or call 386-672-5771 for more information and take steps toward a better tomorrow.



Metra recommends MECP certified technicians



Ford Fusion* 2013-2019

* Con climatizador manual

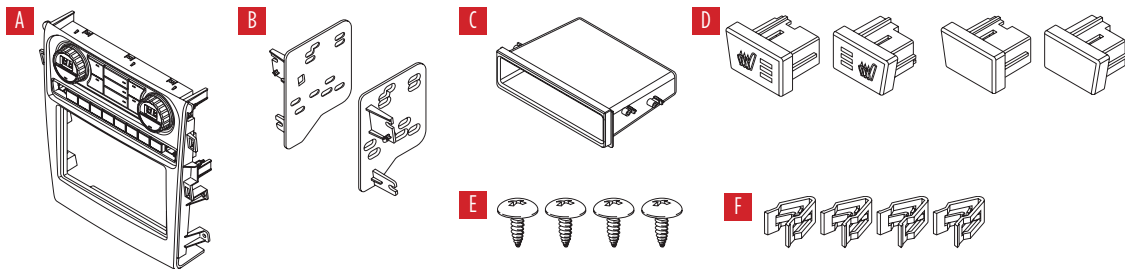
Visite MetraOnline.com para obtener información más detallada sobre el producto y aplicaciones actualizadas específicas para vehículos.

CARACTERÍSTICAS DEL KIT

- Provisión de radio ISO DIN con cavidad
- Provisión de radio ISO DDIN
- Interfaz incluida para el clima y las funciones del volante.
- Pintura negro

COMPONENTES DEL KIT

- A) Panel de la moldura del radio • B) Soportes del radio • C) Cavidad • D) Botones de asiento con calefacción (L & R) Paneles en blanco • E) Tornillos Phillips #8 de 3/8" (4) • F) Ganchos para panel (4) • G) Interfaz y arnés de cableado HVAC (no se muestra) • H) Adaptador de antena (no se muestra)



INDICE

Desmontaje del tablero	2-3
Preparación del kit.....	4
Ensamble del kit	
–Provisión de radio ISO DIN con cavidad.....	5
–Provisión de radio ISO DDIN.....	5
Instalación de la interfase Axxess.....	6-14
Montaje final	10

CABLEADO Y CONEXIONES DE ANTENA

Arnés de cables: Interfaz Axxess integrada en el kit.
Adaptador de antena: Incluido con el kit

HERRAMIENTAS REQUERIDAS

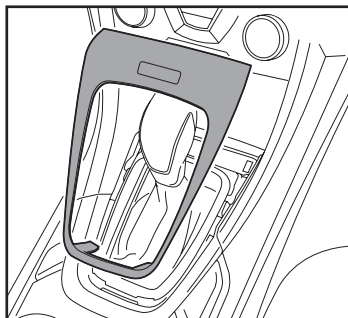
- Herramienta para quitar paneles
- Destornillador Phillips • Llave de tubo de 9/32"
- Herramienta de corte

¡Atención! Con la llave fuera del encendido, desconecte el terminal negativo de la batería antes de instalar este producto. Asegúrese de que todas las conexiones de la instalación estén seguras antes de encender y apagar el encendido para probar este producto.

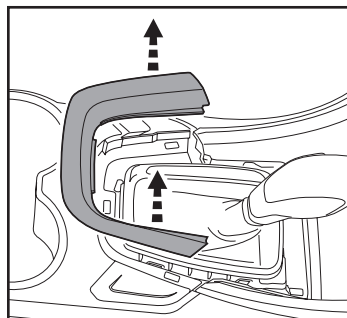
DESMONTAJE DEL TABLERO

Solo para modelos 2013-2016:

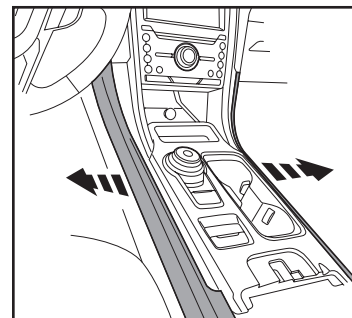
1. Desenganche la moldura alrededor de la palanca de velocidades. (Figura A)
2. Desenganche la moldura en U de la parte posterior de la palanca de velocidades. (Figura B)



(Figura A)



(Figura B)



(Figura C)

Solo para modelos 2017-2019:

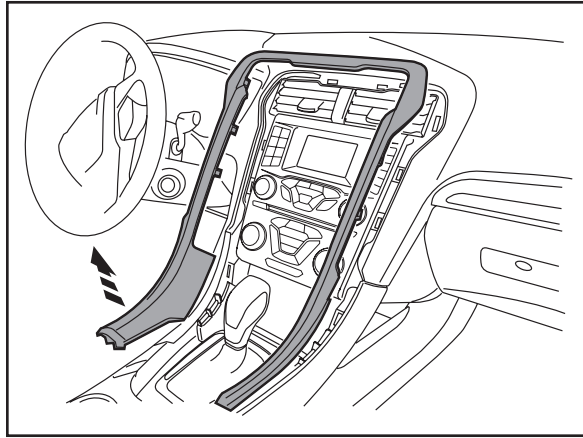
3. Suelte y retire los paneles laterales izquierdo y derecho de la consola central; posteriormente, retire los (2) tornillos de 9/32" expuestos. (Figura C)

Continúa en la siguiente página

DESMONTAJE DEL TABLERO (CONT.)

Todos los modelos:

4. Desenganche la moldura alrededor del tablero central. (Figura D)
5. Quite los (2) tornillos de 9/32" que fijan el panel de control de radio/clima; posteriormente, desenganche, desconecte y retire el panel.
6. Quite los (4) tornillos de 9/32" que fijan la pantalla para después desconectarla y quitar la pantalla.
7. Quite los (2) tornillos de 9/32" que fijan el chasis del radio y posteriormente, desconecte y quitar el chasis.

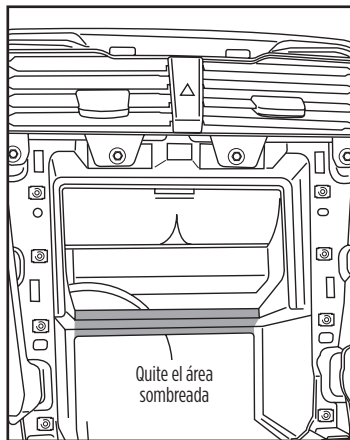


(Figura D)

Continuar la Preparación del Kit

PREPARACIÓN DEL KIT

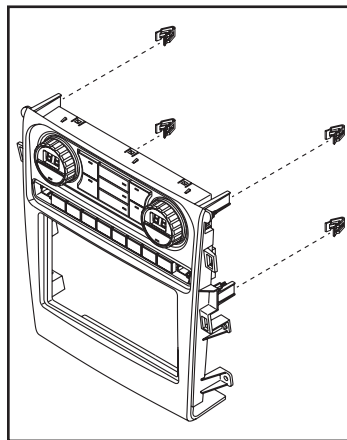
1. Corte y retire el área sombreada del tablero alterno para dar espacio para el radio de mercado secundario. (Figura A)



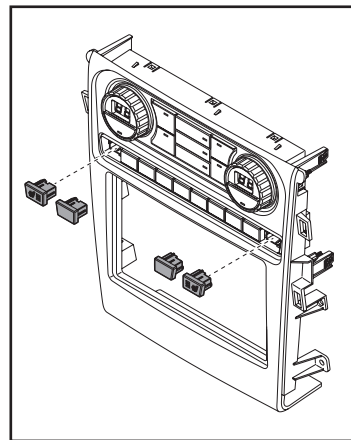
(Figura A)

Al panel de la moldura del radio 99-5854B:

2. Conecte los (4) ganchos para panel suministrados. (Figura B)
3. **Para modelos con asientos con calefacción:** enganche los **botones de los asientos con calefacción**. (Figura C)
Para modelos sin asientos con calefacción: Clip en los **paneles en blanco**. (Figura C)



(Figura B)



(Figura C)

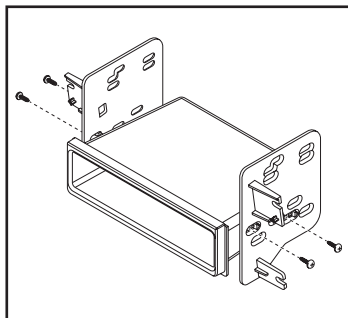
Continúe con el Ensamble del Kit

ENSAMBLE DEL KIT

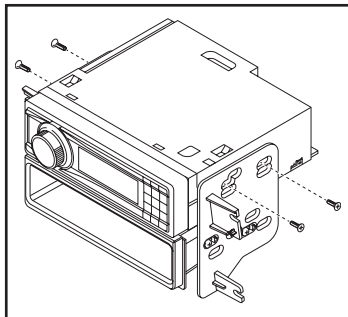
Provisión de radio ISO DIN con cavidad

1. Fije los **soportes de radio** al **bolsillo** con los (4) tornillos Phillips que se incluyen. (Figura A)
2. Quite la manga de metal DIN y el anillo de moldura del radio de mercado secundario.
3. Deslice el radio hacia adentro del ensamble del soporte/cavidad y después, sujételo usando los tornillos incluidos con el radio. (Figura B)

Continúe con la instalación de la interfaz Axxess



(Figura A)

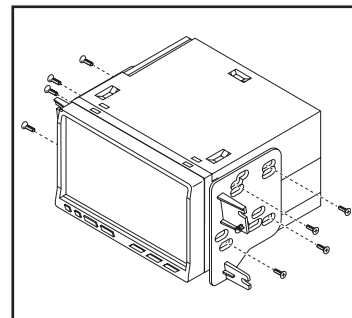


(Figura B)

Provisión de radio ISO DDIN

1. Fije los **soportes de radio** en el radio usando los tornillos que vienen con el radio. (Figura A)

Continúe con la instalación de la interfaz Axxess



(Figura A)

INSTALACIÓN DE LA INTERFASE AXCESS

CARACTERÍSTICAS DE LA INTERFAZ

- Provee corriente a accesorios (12 voltios 10 amperes)
- Retiene R.A.P. (corriente de accesorio retenida)
- Cuenta con salidas de NAV (freno de mano, reversa, sensor de velocidad)
- Conserva los controles de audio en el volante
- Conserva la cámara de reversa de fábrica
- Permite anular la función de STOP/START engine
- El botón STOP/START de fábrica puede reanudar la función STOP/START
- Retiene el balance y la intensidad
- Actualizable por micro-B USB

COMPONENTES DE LA INTERFAZ

- Interfaz Axxess (incluida en la pantalla táctil)
- Arnés 5854
- Interfaz HVAC
- Arnés de interfaz HVAC
- Arnés de 4 pins planos a 4 pins continuos
- Arnés de 16 pins con conectores pelados
- Arnés de 14 pines con conductores pelados.
- Arnés de cámara de reversa de 54 pins
- Arnés de cámara de reversa de 12 pins
- Conector hembra de 3.5 mm con conectores pelados

INDICE

Conexiones.....	7-8
Instalación.....	9
Programación.....	10
Menú de configuración.....	11-14

HERRAMIENTAS REQUERIDAS

- Herramienta de ponchadora y conectores, o pistola de soldadura, soldadura y termocontracción
- Cinta • Cortacables • Zip lazos • Pequeño destornillador de cabeza plana

CONEXIONES

Del arnés de 16 pins con conectores pelados al radio de mercado secundario:

- Conecte el cable **rojo** con el cable de accesorios.
- Si el radio de mercado secundario tiene cable de silencio, conéctele el cable **anaranjado/blanco**.
- Conecte el cable **gris** con la salida positiva de la bocina derecha delantera.
- Conecte el cable **gris/negro** con la salida negativa de la bocina derecha delantera.
- Conecte el cable **blanco** con la salida positiva de la bocina izquierda delantera.
- Conecte el cable **blanco/negro** con la salida negativa de la bocina izquierda delantera.
- Coloque cinta e ignore los siguientes (6) cables; no se utilizarán en esta aplicación:
azul/blanco, verde, verde/negro, púrpura, púrpura/negro, marrón

Los siguientes (3) cables son únicamente para radios con multimedios/navegación que requieran estos cables.

- Conecte el cable **azul/rosa** al cable VSS/de detección de velocidad.
- Conecte el cable **verde/púrpura** al cable de reversa.
- Conecte el cable **verde claro** al cable de freno de mano

Desde el arnés 5854 al radio de mercado secundario:

- Conecte el cable **negro** al cable de tierra.
- Conecte el cable **amarillo** al cable de la batería.
- Conecte el cable **azul** al cable de alimentación de la antena.
- Conecte el cable **verde** con la salida positiva de la bocina izquierda trasera.
- Conecte el cable **verde/negro** con la salida negativa de la bocina izquierda trasera.
- Conecte el cable **púrpura** con la salida positiva de la bocina derecha trasera.
- Conecte el cable **púrpura/negro** a la salida negativa de la bocina derecha trasera.

- Ignore las tomas RCA **rojas y blancas** etiquetadas “RSE/SYNC®/SAT”, no serán utilizado en esta aplicación.
- Ignore las tomas RCA **rojas y blancas** etiquetadas “FROM 3.5”, no serán utilizado en esta aplicación.

Continúa en la siguiente pagina

Retención de control del volante - jack de 3.5mm:

- El conector de 3.5 mm se debe usar para retener los controles de audio en el control del volante.
- **Para los siguientes radios:** Conecte el **conector hembra de 3.5 mm incluido con conectores pelados** en el conector macho SWC de 3.5 mm del **arnés 5854**. Cualquier cable restante debe cubrirse con cinta e ignorarse.
 - **Eclipse:** Conecte el cable del control en el volante, normalmente **marrón**, al cable del conector **marrón/blanco**. Después conecte el cable del control en el volante restante, normalmente **marrón/blanco**, al cable del conector marrón.
 - **Equipo original Metra:** Conecte el cable Key 1 (**gris**) del control en el volante al cable **marrón**.
 - **Kenwood o seleccione JVC con un cable de control en el volante:** Conecte el cable **azul/amarillo** al cable **marrón**.

Nota: Si su radio Kenwood se detecta automáticamente como JVC, ajuste manualmente el tipo de radio como Kenwood. Vea las instrucciones a continuación para cambiar el tipo de radio.
 - **XITE:** Conecte el cable SWC-2 del control en el volante del radio al cable **marrón**.
 - **Parrot Asteroid Smart o Tablet:** Conecte el conector de 3.5 mm al AX-SWC-PARROT (se vende por separado), y después conecte el conector de 4 pins del AX-SWC-PARROT al radio.

Nota: El radio debe estar actualizado a la versión de software 2.1.4 o posterior.
 - **Radio universal de "2 o 3 cables":** Conecte el cable del control en el volante, conocido como Key-A SWC-1, al cable **marrón** del conector. Después conecte el cable restante del control en el volante, conocido como Key-B o SWC-2, al cable marrón/blanco del conector. Si el radio llega con un tercer cable para hacer tierra, ignore este cable.

Nota: Después de haber programado la interfaz al vehículo, haga referencia al manual provisto con el radio para asignar los botones SWC. Contacte al fabricante del radio para mayor información.
- **Para todos los demás radios:** Conecte el conector de 3.5 mm dentro del puerto en el radio designado para una interfaz externa de control en el volante. Haga referencia al manual provisto con el radio si tiene duda de dónde va el conector de 3.5 mm.

Desde el arnés de la cámara de respaldo hasta la radio de posventa:

Para modelos con una pantalla de 4.2 pulgadas:

- Use el arnés de la cámara de respaldo de 12 pins.

Para modelos con una pantalla de 8 pulgadas:

- Utilice el arnés de la cámara de respaldo de 54 pins.

Desde el arnés de 14 pines con cables pelados a la radio de posventa:

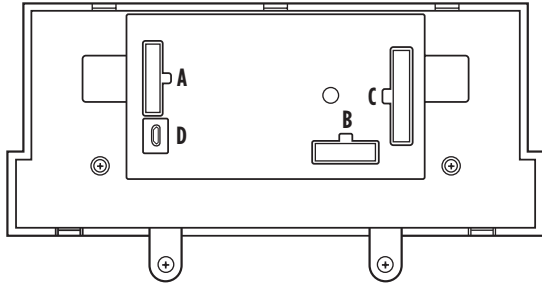
Los siguientes (2) cables son para activar un relé desde los botones en la parte frontal del kit. Las salidas están enganchadas, lo que significa que permanecerán activas hasta que se presione nuevamente el botón (o hasta que se apague la tecla). Se puede usar para encender elementos como la iluminación de acento o ventiladores para enfriar los amplificadores del mercado secundario.

- Conecte el cable **azul/rojo** con la etiqueta "AUX 1" a la entrada negativa de un automóvil Relé SPDT (se vende por separado).
- Conecte el cable **azul/negro** con la etiqueta "AUX 2" a la entrada negativa de un automóvil Relé SPDT (se vende por separado).

INSTALACIÓN

Pantalla táctil

1. Conecte el **arnés de 16 pins con conectores pelados** en el puerto **A** en la pantalla táctil.
2. Conecte el **arnés de 14 clavijas con cables pelados** al puerto **B**.
3. Conecte el **arnés 5854** al puerto **C** y luego al arnés de cableado en el vehículo. Estos arneses son los que se retiraron en el **Desmontaje del tablero**, paso 7.
4. El puerto **D** es una entrada USB Micro-B para actualizar la interfaz.



Interfaz HVAC

5. Conecte el **arnés de la interfaz HVAC** en la **interfaz HVAC** y luego a los arneses de cableado en el vehículo. Estos arneses son los que se retiraron del paso 4 en el **desmontaje del tablero**.

Atención! Ignore el conector de 10 pines del arnés HVAC, no se usarán en esta aplicación.

6. Conecte el **arnés apilado de 4 clavijas al arnés apilado de 4 clavijas en la interfaz HVAC** y luego al conjunto de la luz del airbag del pasajero.
7. Conecte el arnés de 6 pins del **arnés 5854** a la **interfaz HVAC**.
8. **Para los modelos con una pantalla de 4.2 pulgadas:** Conecte el **arnés de la cámara de reversa de 12 pins** al arnés del cableado en el vehículo. Este arnés es el que se retira del paso 5 en el desmontaje del tablero.

Para los modelos con una pantalla de 8 pulgadas: Conecte el conector hembra del **arnés de la cámara de reversa de 54 pins** al arnés del cableado en el vehículo. Este conector se localiza detrás de la pantalla de fábrica que se retiró en el paso 5 en el desmontaje del tablero.

Nota: Ignore el conector macho; no se utilizará en esta aplicación.

9. Localice el conector de la antena de fábrica en el tablero y realice todas las conexiones necesarias al radio. Utilice el **adaptador de antena** provisto para adaptar el conector de antena de fábrica a la radio no original.

PROGRAMACIÓN

1. Abra la puerta del conductor y manténgala abierta durante el proceso de programación.
2. Encienda la ignición y espere hasta que las luces del control de clima se vuelvan azules.
Nota: Si las luces no se vuelven azules, desconecte el puerto **C** de la panel táctil durante unos segundos y luego intente nuevamente.
3. Pruebe todas las funciones de la instalación para verificar la operación correcta antes de volver a ensamblar el tablero.

Nota: La brújula en el centro de información del conductor ya no funcionará.

MONTAJE FINAL

1. Sujete el ensamblaje terminado en el tablero superior con la herramienta de fábrica que quitó en el paso 7 del **Desmontaje del Tablero**.
2. Coloque a presión el **panel de la moldura del radio** sobre el ensamble completo y luego vuelva a armar el tablero al revés de cómo lo desmontaje para completar la instalación.

MENÚ DE CONFIGURACIÓN

Los botones del volante se utilizarán para ingresar, navegar y realizar cambios en el menú. La visualización de las perillas de clima se utilizará para ver el menú.

1. Con la puerta del conductor abierta, presione y mantenga presionado el botón **OK**, luego encienda la tecla.
2. Presione los botones de (flechas **izquierda** y **derecha**) para alternar entre las opciones de menú disponibles. Consulte la **tabla de Opciones** de menú para obtener una lista de opciones y una descripción de cada opción.
3. Presione los botones de (flechas **arriba** y **abajo**) para alternar entre las opciones de submenú disponibles. Consulte la tabla de **Opciones de submenú** correspondiente para el artículo en cuestión.
4. Una vez que se haya elegido un elemento para cambiar, presione el botón **OK**.
5. Navegue hasta “d o”, luego presione el botón **OK** para salir del Menú de Configuración.
6. Si no hay actividad después de 10 segundos, el menú de configuración se cerrará.

Opciones del menú

Visualización de la perilla izquierda	Visualización de la perilla derecha	Descripción
A.L	Mostrará el estado actual	Iluminación ambiental
A.G		Ganancia del amplificador OEM
A.S.		Auto Stop / Start Override
r.d		Detección de radio
b.L.		Iluminar desde el fondo
U O		Número de versión del kit
d o		n E

Opciones de submenú

Iluminación ambiental

Visualización de la perilla izquierda	Visualización de la perilla derecha	Iluminación ambiente color
A.L	lb	Azul hielo
A.L	Or	Naranja
A.L	Sb	Azul suave
A.L	rd	Rojo
A.L	Gr	Verde
A.L	bL	Azul
A.L	PU	Púrpura

Ganancia del amplificador OEM

Visualización de la perilla izquierda	Visualización de la perilla derecha
A.G	0 to 30

Auto Stop / Start Override

Visualización de la perilla izquierda	Visualización de la perilla derecha	
A.S	0.0	Discapacitado (no override)
A.S	0.1	Permitir

Continúa en la siguiente página

MENÚ DE CONFIGURACIÓN (CONT.)

Opciones de submenú (cont.)

- Presione el botón **OK** en el volante para iniciar el proceso de detección automática.

Detección de radio

Visualización de la perilla izquierda	Visualización de la perilla derecha	Fabricante de radio	Keynotes
r.d	1	Eclipse (Type 1)	1
r.d	2	Kenwood	2
r.d	3	Clarion (Type 1)	1
r.d	4	Boss (type 1)/Dual/Sony	1 (Boss)
r.d	5	JVC	
r.d	6	Pioneer/Jensen	
r.d	7	Alpine	3
r.d	8	Boss (type 4)/Visteon	1 (Boss)
r.d	9	Valor	
r.d	10	Clarion (Type 2)	1
r.d	11	Boss (Type 2)	
r.d	12	Eclipse (Type 2)	1
r.d	13	LG	

Continúa en la siguiente página

MENÚ DE CONFIGURACIÓN (CONT.)

Opciones de submenú (cont.)

Detección de radio (cont.)

Visualización de la perilla izquierda	Visualización de la perilla derecha	Fabricante de radio	Keynotes
r.d	14	Parrot	4
r.d	15	XITE	
r.d	16	Philips	
r.d	17	Kicker	
r.d	18	JBL	
r.d	19	Insane Audio	
r.d	20	Magnadyne	
r.d	21	Boss (type 3)	
r.d	22	Axxera	

1. Si los controles del volante no funcionan, cambie el tipo de radio al tipo de radio opuesto.
2. Si la pantalla muestra 5 (**JVC**), cambie el tipo de radio a 2 (**Kenwood**).
3. Si la pantalla muestra **Alpine**, pero no se ha instalado una radio **Alpine**, asegúrese de que el conector de 3.5 mm esté enchufado.
4. Requiere **AX-SWC-PARROT** (se vende por separado). El software en la radio debe ser rev. 2.1.4 o superior.

Continúa en la siguiente página

MENÚ DE CONFIGURACIÓN (CONT.)

Opciones de submenú (cont.)

Backlight

Visualización de la perilla izquierda	Visualización de la perilla derecha	Color de luz de fondo
b.L	--	Sin luz de fondo
b.L	rD	Rojo
b.L	Or	Naranja
b.L	YE	Amarillo
b.L	LG	Verde lima
b.L	Gr	Verde
b.L	CY	Cian
b.L	BL	Azul
b.L	Pu	Púrpura
b.L	HP	Rosa caliente

Número de versión del kit

Visualización de la perilla izquierda	Visualización de la perilla derecha
U0	Mostrará la versión actual del kit

Hecho / Salir

- Presione el botón **OK** en el volante para salir del Menú de Configuración.

Visualización de la perilla izquierda	Visualización de la perilla derecha
d o	n E





99-5854B
INSTRUCCIONES DE INSTALACIÓN



¿Tienes dificultades? Estamos aquí para ayudar.



Póngase en contacto con nuestra
línea de soporte técnico en:
386-257-1187



O por correo electrónico a:
techsupport@metra-autosound.com

Horas de soporte técnico (hora estándar del este)

Monday - Friday: 9:00 AM - 7:00 PM

Saturday: 10:00 AM - 7:00 PM

Sunday: 10:00 AM - 4:00 PM



KNOWLEDGE IS POWER

Enhance your installation and fabrication skills by enrolling in the most recognized and respected mobile electronics school in our industry. Log onto www.installerinstitute.edu or call 386-672-5771 for more information and take steps toward a better tomorrow.



**Metra recomienda MECP
técnicos certificados**