



Ford Fusion 2013-2020

Visit MetraOnline.com for more detailed information about the product and up-to-date vehicle specific applications.

Note: Hybrid vehicles not supported

KIT FEATURES

- ISO DIN radio provision with pocket
- ISO DDIN radio provision
- Integrated controls for info center
- Painted black

KIT COMPONENTS

- A) Radio trim panel with touchscreen display
- B) Radio brackets
- C) Pocket
- D) (4) #8 x 3/8" Phillips screws
- E) (4) Panel clips
- F) HVAC interface and wiring harness (not shown)

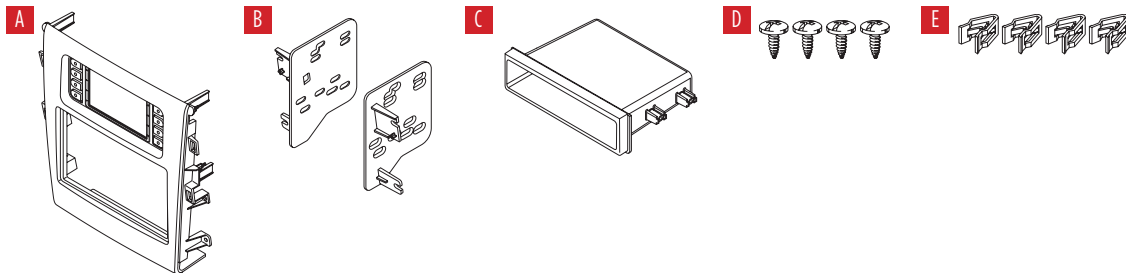


TABLE OF CONTENTS

Dash Disassembly.....	2
Kit Preparation.....	3
Kit Assembly	
–ISO DIN radio provision with pocket.....	4
–ISO DDIN radio provision.....	4
Axxess Interface Installation.....	5-14

WIRING & ANTENNA CONNECTIONS

Wiring Harness: Axxess interface and harness included

Antenna Adapter: 40-EU10 (sold separately)

TOOLS REQUIRED

- Panel removal tool
- Phillips screwdriver
- 7mm socket wrench
- Cutting tool

Attention! With the key out of the ignition, disconnect the negative battery terminal before installing this product. Ensure that all installation connections are secure before cycling the ignition to test this product.

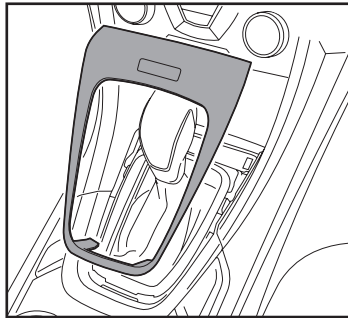
DASH DISASSEMBLY

For 2013-2016 models only:

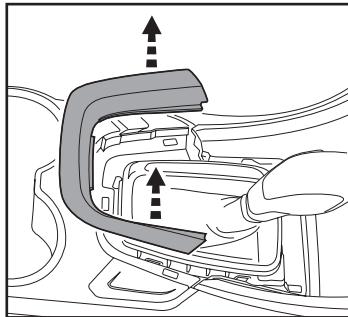
1. Unclip the trim from around the shifter. (Figure A)
2. Unclip the U-shaped trim from the rear of the shifter. (Figure B) 14-16 only

For 2017-2019 models only:

3. Remove the left and right side panels on the center console, and then remove the (2) 7mm screws exposed. (Figure C)



(Figure A)

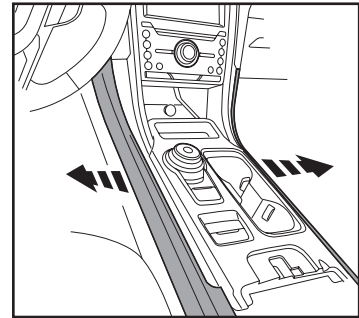


(Figure B)

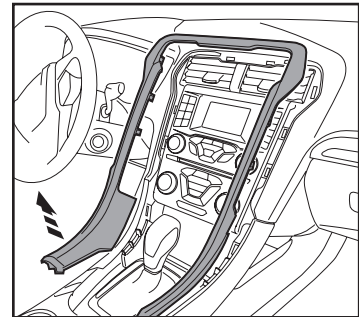
All models:

4. Unclip the trim surrounding the center dash. (Figure D)
- Ensure that the vehicle is completely off before proceeding onto the following (3) steps
5. Remove the (2) 9/32" screws securing the radio/climate control panel, and then unclip, unplug, and remove.
 6. Remove the (4) 9/32" screws securing the display screen, and then unplug and remove.
 7. Remove the (2) 9/32" screws securing the radio chassis, and then unplug and remove.

Continue to Kit Preparation



(Figure C)

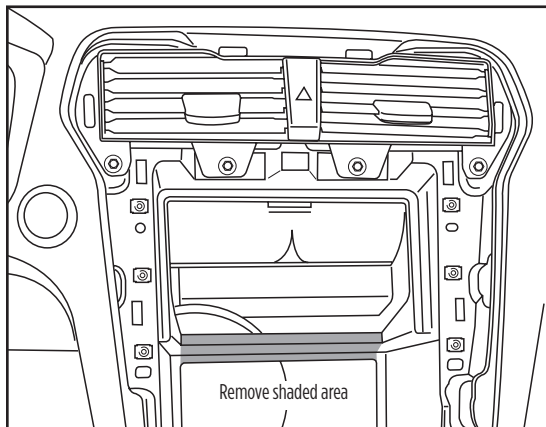


(Figure D)

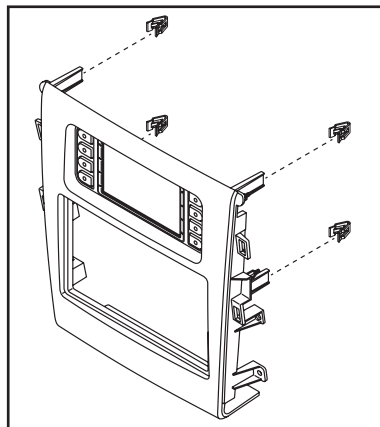
KIT PREPARATION

1. Cut and remove the shaded area from the sub-dash to allow clearance for the aftermarket radio. (Figure A)
2. Attach the (4) panel clips provided to the radio trim panel. (Figure B)

Continue to Kit Assembly



(Figure A)



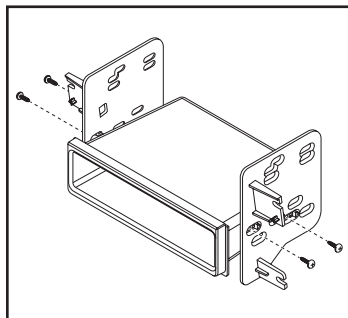
(Figure B)

KIT ASSEMBLY

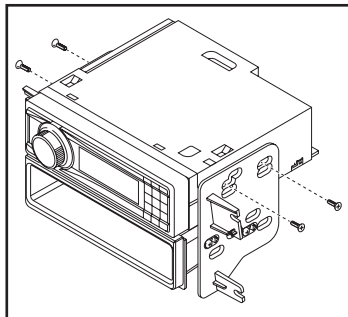
ISO DIN radio provision with pocket

1. Attach the *pocket* to the *radio brackets* using the (4) #8 x 3/8" Phillips screws provided. (Figure A)
2. Remove the metal DIN sleeve and trim ring from the aftermarket radio.
3. Slide the radio into the bracket/pocket assembly, and then secure it using the screws supplied with the radio. (Figure B)

Continue to Axxess
Interface Installation



(Figure A)

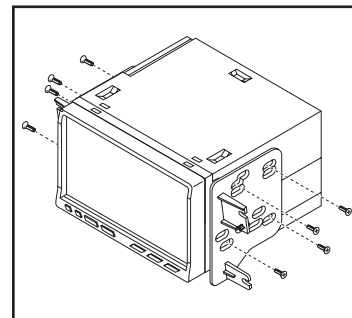


(Figure B)

ISO DDIN radio provision

1. Attach the *brackets* to the radio using the screws supplied with the radio. (Figure A)

Continue to Axxess
Interface Installation



(Figure A)

AXXESS INTERFACE INSTALLATION

INTERFACE FEATURES

- Provides accessory power (12-volt 10-amp)
- Retains R.A.P. (retained accessory power)
- Provides NAV outputs (parking brake, reverse, speed sense)
- Retains audio controls on the steering wheel
- Retains SYNC® (4.2-inch display screen models only)
- Retains the factory backup camera
- Can be used in both amplified and non-amplified models (including SONY)
- Retains balance and fade* (excluding SONY)
- Micro “B” USB updatable

INTERFACE COMPONENTS

- Axxess interface (built into the touchscreen display)
- 5841 harness
- HVAC interface
- HVAC interface harness
- 4-pin flat to 4-pin stacked harness
- 16-pin harness with stripped leads
- 54-pin backup camera harness
- 12-pin backup camera harness
- 4-pin harness with yellow RCA jacks
- Female 3.5mm connector with stripped leads

TABLE OF CONTENTS

Connections to be made	6-9
Installing the interface	9-10
Initializing the interface	10
Final assembly	11
Additional characteristics.....	11
Touchscreen display operation.....	12-13
Steering wheel control settings	14-15
Troubleshooting.....	16

TOOLS REQUIRED

- Wire cutter • Crimp tool • Solder gun • Tape
- Connectors (example: butt-connectors, bell caps, etc.)

CONNECTIONS TO BE MADE

Attention! This interface will work with models that are either Sony amplified, or non-amplified. Please follow the instructions carefully for your model vehicle. Failure to do so will result in either no sound, or low sound. If you are unsure if your vehicle is factory amplified or not, please contact your local dealership.

For models without a Sony amplifier:

From the 16-pin harness with stripped leads to the aftermarket radio:

- Connect the **Red** wire to the accessory wire.
- If the aftermarket radio has an illumination wire, connect the **Orange/White** wire to it.
- If the aftermarket radio has a mute wire, and the vehicle is equipped with SYNC®, connect the **Brown** wire to it. If the mute wire is not connected, the radio will turn off when SYNC® is activated.
- Connect the **Gray** wire to the right front positive speaker output.
- Connect the **Gray/Black** wire to the right front negative speaker output.
- Connect the **White** wire to the left front positive speaker output.
- Connect the **White/Black** wire to the left front negative speaker output.
- Tape off and disregard the following (5) wires, they will not be used in this application.
Blue/White, Green, Green/Black, Purple, Purple/Black

The following (3) wires are only for multimedia/navigation radios that require these wires.

- Connect the **Blue/Pink** wire to the VSS/speed sense wire.
- Connect the **Green/Purple** wire to the reverse wire.
- Connect the **Light Green** wire to the parking brake wire

From the 5841 harness to the aftermarket radio:

- Connect the **Black** wire to the ground wire.
- Connect the **Yellow** wire to the battery wire.
- Connect the **Blue** wire to the power antenna wire.
- Connect the **Green** wire to the left rear positive speaker output.
- Connect the **Green/Black** wire to the left rear negative speaker output.
- Connect the **Purple** wire to the right rear positive speaker output.
- Connect the **Purple/Black** wire to the right rear negative output.

- For models with a 4.2-inch display screen and SYNC®: Connect the **Red** and **White** RCA jacks labeled “RSE/SYNC®/SAT” to the audio AUX-IN jacks of the aftermarket radio.
- Disregard the **Red** and **White** RCA jacks labeled “FROM 3.5”, they will not be used in this application.

Continue to 3.5mm jack steering wheel control retention

CONNECTIONS TO BE MADE *(CONT.)*

Attention! This interface will work with models that are either Sony amplified, or non-amplified. Please follow the instructions carefully for your model vehicle. Failure to do so will result in either no sound, or low sound. If you are unsure if your vehicle is factory amplified or not, please contact your local dealership.

For models with a Sony amplifier:

From the 16-pin harness with stripped leads to the aftermarket radio:

- Connect the **Red** wire to the accessory wire.
- Connect the **Blue/White** wire to the amp turn on wire. This wire must be connected to hear sound from the factory amplifier.
- If the aftermarket radio has an illumination wire, connect the **Orange/White** wire to it.
- Connect the **Gray** wire to the right front positive speaker output.
- Connect the **Gray/Black** wire to the right front negative speaker output.
- Connect the **White** wire to the left front positive speaker output.
- Connect the **White/Black** wire to the left front negative speaker output.
- Connect the **Green** wire to the left rear positive speaker output.
- Connect the **Green/Black** wire to the left rear negative speaker output.
- Connect the **Purple** wire to the right rear positive speaker output.
- Connect the **Purple/Black** wire to the right rear negative output.
- Tape off and disregard the following (1) wire, it will not be used in this application: **Brown**

The following (3) wires are only for multimedia/navigation radios that require these wires.

- Connect the **Blue/Pink** wire to the VSS/speed sense wire.
- Connect the **Green/Purple** wire to the reverse wire.
- Connect the **Light Green** wire to the parking brake wire

From the 5841 harness to the aftermarket radio:

- Connect the **Black** wire to the ground wire.
- Connect the **Yellow** wire to the battery wire.
- Connect the **Blue** wire to the power antenna wire.
- Tape off and disregard the following (4) wires, they will not be used in this application: **Green, Green/Black, Purple, Purple/Black**
- Disregard the **Red** and **White** RCA jacks labeled “RSE/SYNC®/SAT”, they will not be used in this application.
- Disregard the **Red** and **White** RCA jacks labeled “FROM 3.5”, they will not be used in this application.

Continue to 3.5mm jack steering wheel control retention

3.5mm jack - steering wheel control retention:

The 3.5mm jack is to be used to retain audio controls on the steering wheel control.

- For the radios listed below, connect the included *female 3.5mm connector with stripped leads*, to the male 3.5mm SWC jack from the 5841 harness. Any remaining wires tape off and disregard.
 - **Eclipse:** Connect the steering wheel control wire, normally Brown, to the **Brown/White** wire of the connector. Then connect the remaining steering wheel control wire, normally **Brown/White**, to the **Brown** wire of the connector.
 - **Metra OE:** Connect the steering wheel control Key 1 wire (**Gray**) to the **Brown** wire.
 - **Kenwood or select JVC with a steering wheel control wire:** Connect the **Blue/Yellow** wire to the Brown wire.

Note: If the **Kenwood** radio auto detects as a **JVC**, manually set the radio type to **Kenwood**. See the instructions under changing radio type.

- **XITE:** Connect the steering wheel control SWC-2 wire from the radio to the **Brown** wire.
- **Parrot Asteroid Smart or Tablet:** Connect the 3.5mm jack into the AX-SWC-PARROT (sold separately), and then connect the 4-pin connector from the AX-SWC-PARROT into the radio.

Note: The radio must be updated to rev. 2.1.4 or higher software.

- **Universal “2 or 3 wire” radio:** Connect the steering wheel control wire, referred to as Key-A or SWC-1, to the **Brown** wire of the connector. Then connect the remaining steering wheel control wire, referred to as Key-B or SWC-2, to the **Brown/White** wire of the connector. If the radio comes with a third wire for ground, disregard this wire.

Note: After the interface has been programmed to the vehicle, refer to the manual provided with the radio for assigning the SWC buttons. Contact the radio manufacturer for more information.

- **For all other radios:** Connect the 3.5mm jack into the port on the radio designated for an external steering wheel control interface. Refer to the manual provided with the radio if in doubt as to where the 3.5mm jack goes to.

Backup camera harness:

For models with a 4.2-inch display screen: Use the 12-pin backup camera harness.

For models with an 8-inch display screen: Use the 54-pin backup camera harness.

There are two different methods for connecting the factory backup camera.

If retaining the camera to the aftermarket radio is desired:

- Connect the **Yellow** RCA jack the backup camera input of the aftermarket radio.

If retaining the camera to the touchscreen display is desired:

- Connect the **Yellow** RCA jack, to the **Yellow** RCA jack from the 4-pin harness with yellow RCA jacks labeled “Rearview camera”.

Note: If this method is chosen, the backup camera option must be enabled in the *Configuration Settings Screen*.

Continued on the next page

CONNECTIONS TO BE MADE (CONT.)

4-pin harness with yellow RCA jacks:

- If retaining the factory backup camera to the touchscreen display is desired, connect the **Yellow** RCA jack labeled “Rearview camera”, to the **Yellow** RCA jack from the *12-pin or 54-pin backup camera harness*.
- Disregard the **Yellow** RCA jack labeled “AUX video”, it will not be used in this application.

INSTALLING THE INTERFACE

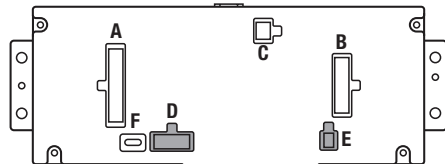
It is highly advisable to read the following steps beforehand, to ensure a clear understanding of what is to be expected. The following steps must be done in the order that they are numbered.

With the vehicle completely off:

Touchscreen display

1. Connect the *16-pin harness with stripped leads* into port “B” in the touchscreen display.
2. Connect the *5841 harness* to the wiring harnesses in the vehicle. These harnesses are the ones removed in step 7 of dash disassembly. Then insert the *5841 harness* into port “A” in the touchscreen display. But do not install this harness until exactly before step 1 of “Initializing the Interface”. This is a timed process.
3. Connect the *4-pin harness with yellow RCA jacks* into port “C” in the touchscreen display.

4. Disregard ports “D” and “E”, they will not be used in this application.
5. Port “F” is an update port for future firmware upgrades.



HVAC interface

6. Connect the *HVAC interface harness* into the *HVAC interface*, and then to the wiring harnesses in the vehicle. These harnesses are the ones removed in step 5 of dash disassembly.
Note: Disregard the “10-pin harness”, and the “4-pin flat to 4-pin stacked harness”, they will not be used in this application.
7. Connect the 6-pin harness into the *HVAC interface*.

Continued on the next page

INSTALLING THE INTERFACE (CONT.)

8. **(a) For models with a 4.2-inch display screen:** Connect the *12-pin backup camera harness*, to the wiring harness in the vehicle. This harness is the one removed in step 6 of dash disassembly.

(b) For models with an 8-inch display screen: Connect the female connector of the *54-pin backup camera harness*, to the wiring harness in the vehicle. This connector is located behind the factory display screen, which was removed in step 6 of dash disassembly.

Note: Disregard the male connector, it will not be used in this application.

9. Locate the factory antenna connector in the dash and complete all necessary connections to the radio. Metra recommends using the proper mating adapter from Metra.

INITIALIZING THE INTERFACE

Attention! If the interface loses power for any reason, the following steps will need to be performed again.

1. Refer to step 2 of “Installing the interface”.
2. Press the push-to-start button to start the vehicle.
3. Program the kit:
 - a. Once the touchscreen display loads up, select the vehicle type; “Ford Fusion 2015–2017”.
 - b. Wait until the radio comes on, and the touchscreen display shows “SWC Configured”. This process may take up to 3 minutes.

Note: If the touchscreen display does not load up, or the radio doesn’t come on within 3 minutes, and/or the touchscreen display does not show “*SWC Configured*”, turn the vehicle off and disconnect the *5841 harnesses* from port “A” in the touchscreen display. Check all the connections, reconnect the harness into the touchscreen display, and then try again.

4. Turn the key off and back on. If the driver’s door is closed, open and close the door.
5. Test all functions of the installation for proper operation, before reassembling the dash.

Note: The compass in the driver information center will no longer function.

FINAL ASSEMBLY

1. Secure the completed assembly into the dash using the factory hardware removed in step 7 of dash disassembly. Only use the upper mounting tabs.
2. Snap the *radio trim panel with touchscreen display* over the completed assembly, and then reassemble the dash in reverse order of disassembly.

ADDITIONAL CHARACTERISTICS

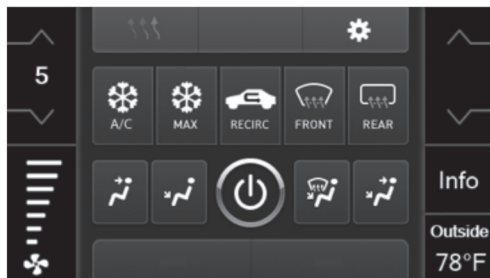
SYNC (4.2-inch display screen models only):

If the vehicle is equipped with SYNC, the 99-5841B may retain this feature.

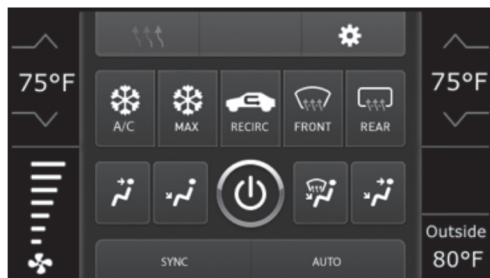
1. Change the radio source to AUX-IN.
2. Press the Info button on the touch screen to enter the SYNC menu.
3. Press the climate control icon button to return to the Main Menu.

TOUCHSCREEN DISPLAY OPERATION

Climate Control screen



Manual climate controls



Automatic climate controls

- This is the climate control screen which will be displayed on the touchscreen display. This is considered the main screen.
- The upper left tab with (3) arrows will take you to the **Heated/Cooled*** seats screen, and the **Heated Steering*** screen.
- The upper right tab with the gear icon will take you to the **Configuration Settings** screen.
- **Auto climate models:** The climate controls will function in the same manner that they did with the factory climate controls.
- **Manual climate models:** The climate controls will function in the same manner that they did with the factory climate controls, yet via touchscreen buttons instead. The temperature control will display a numerical scale, with “LO” being the coldest, and “HI” being the hottest: LO / 1-9 / HI

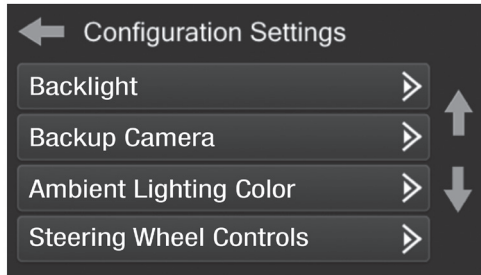
***If applicable.**

Note: The “Info” button will only be shown if SYNC® is to be retained.

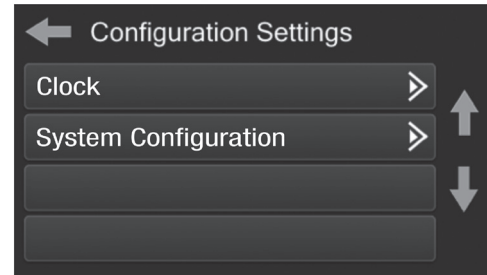
Continued on the next page

TOUCHSCREEN DISPLAY OPERATION (CONT.)

Configuration Settings screen



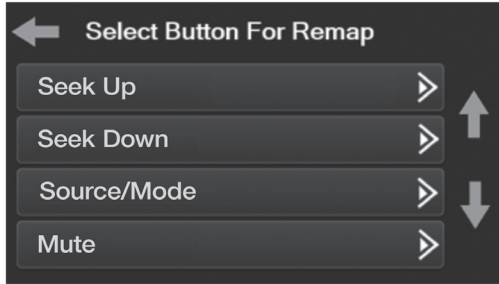
- **Backlight**
 - Four slide bars control the color of the buttons and the back-light intensity:
- **Backup Camera**
 - Enable – Enables the backup camera image to the touchscreen display
 - Disable – Disables the backup camera image to the touchscreen display (default)
- **Ambient Lighting**
 - Factory colors available from Ford
- **Steering Wheel Controls**
 - Relocation Buttons – to relocate the steering wheel control buttons
 - Dual assignment: for dual assignment of the control buttons on the steering wheel (press the button for a long time)
 - Select Radio – to automatically detect the radio or change the type of radio



- **Clock**
 - To set the clock and time mode.
- **System Configuration**
 - About - Information about the software in the kit
 - Temperature unit - To switch between Celsius and Fahrenheit
 - Digital Amp Gain - To adjust the output gain to the amplifier
 - Reset Vehicle Type - To reset the kit to default settings

STEERING WHEEL CONTROL SETTINGS

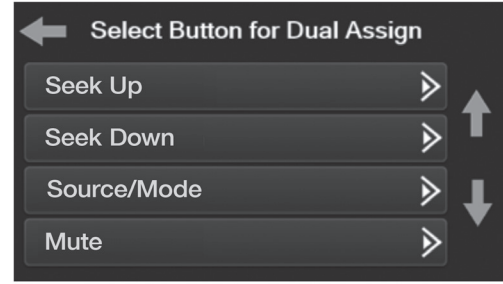
Remap Button screen



- The interface has the ability to change the button assignment for the steering wheel control audio buttons, except Volume-Up and Volume-Down. Follow the prompts on the touchscreen display to remap the steering wheel control audio button(s) to your liking.

Note: The aftermarket radio may not have all of these commands. Please refer to the manual provided with the radio, or contact the radio manufacturer, for specific commands recognized by that particular radio.

Dual Assign screen



- The interface has the capability to assign two functions to a single button, except Volume-Up and Volume-Down. Follow the prompts on the touchscreen display to program the button(s) to your liking.

Note: Seek-Up and Seek-Down come programmed as Preset-Up and Preset-Down for a long button press.

STEERING WHEEL CONTROL SETTINGS (CONT.)

Select Radio screen



- To show which brand radio is “auto detected” to the interface, press the “Autodetect” button. The radio detected will have a filled in circle. If the incorrect radio is shown, select the proper radio.
- Following is a list of radio manufacturers that the interface presently acknowledges. Others may be added at a later date. Universal “2 or 3 wire” radios can show up as any of these radio manufacturers.

Eclipse (Type 1) †	JVC	Clarion (Type 2) †	Parrot **
Kenwood ‡	Pioneer/Jensen	Metra OE	XITE
Clarion (Type 1) †	Alpine *	Eclipse (Type 2) †	Philips
Sony / Dual	Visteon	LG	JBL
	Valor		

*** Note:** If the interface shows an Alpine radio, and you do not have an Alpine radio, that means the interface does not detect a radio connected it, i.e., an open connection. Verify that the 3.5mm jack is connected to the correct steering wheel jack/wire in the radio.

**** Note:** The AX-SWC-PARROT is required (sold separately). Also, the Parrot radio must be updated to rev. 2.1.4 or higher through www.parrot.com.

† Note: If you have a Clarion radio and the steering wheel controls do not work, change the radio type to the other Clarion radio type; same for Eclipse.

‡ Note: If you have a Kenwood radio and the touchscreen display shows a JVC radio, change the radio type to Kenwood.

Continued on the next page



TROUBLESHOOTING

Resetting the interface

Option #1

1. With everything connected and the car running.
2. Hold the bottom (2) buttons for 3 seconds, then release. (Figure A)
(The screen will turn black and then put you in the vehicle selection screen)
3. Select your vehicle and wait till the "SWC Configured" appears on the screen.
4. Turn ignition off and start vehicle, then test your interface.



(Figure A)

Option #2

1. With the vehicle running, press the **Reset Vehicle Type** button mentioned in **System Configuration**.
2. Refer to **Programming**, step 3, from this point.

Having difficulties? We're here to help.



Contact our Tech Support line at:
386-257-1187



Or via email at:
techsupport@metra-autosound.com

Tech Support Hours (Eastern Standard Time)

Monday - Friday: 9:00 AM - 7:00 PM

Saturday: 10:00 AM - 7:00 PM

Sunday: 10:00 AM - 4:00 PM



KNOWLEDGE IS POWER

Enhance your installation and fabrication skills by enrolling in the most recognized and respected mobile electronics school in our industry. Log onto www.installerinstitute.com or call 800-354-6782 for more information and take steps toward a better tomorrow.



**Metra recommends MECP
certified technicians**



Ford F-150 (con pantalla de 4.2") 2013 a 2014

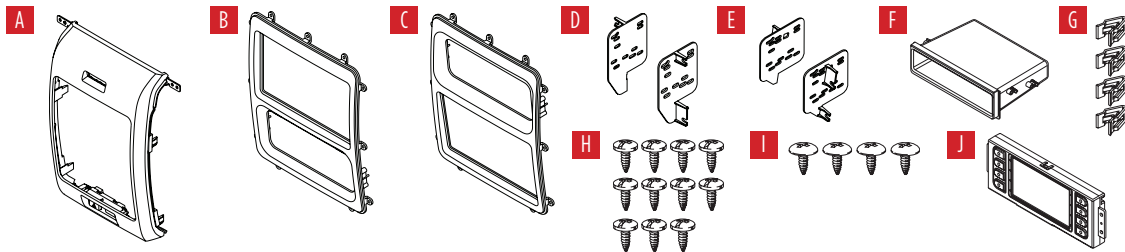
Visite MetraOnline.com para más información acerca del producto y las aplicaciones específicas más actualizadas del vehículo

CARACTERÍSTICAS DEL KIT

- Provisión de radio ISO DIN con cavidad
- Provisión de radio ISO DDIN
- Pantalla táctil con características de personalización y clima
- Botón integrado de luces intermitentes y luz de la bolsa de aire del pasajero
- Es posible montar el radio arriba o abajo
- Pintura negro mate

COMPONENTES DEL KIT

• A) Panel de moldura de radio/pantalla con pantalla táctil • B) Parte superior del panel de submoldura de radio/pantalla (a) • C) Parte inferior del panel de submoldura de radio/pantalla (b) • D) Soportes de radio superiores (a) • E) Soportes de radio inferiores (b) • F) Cavidad • G) (4) Ganchos para panel • H) (11) Tornillos Phillips de #8 x 3/8" de cabeza troncocónica • I) (4) Tornillos Phillips de #8 x 3/8" de cabeza segmentada • J) Ensamble de pantalla táctil y arnés de cableado • K) Adaptador de antena (no se muestra)



INDICE

Desmontaje del tablero	2
Preparación del kit.....	3
Ensamble del kit	3
-Provisión de radio ISO DIN con cavidad	4
-Provisión de radio ISO DDIN.....	4
Instalación de la interfaz Axxess.....	5-14

CABLEADO Y CONEXIONES DE ANTENA

Arnés de cableado: Interfaz Axxess integrada en la pantalla táctil
Adaptador de antena: Incluido

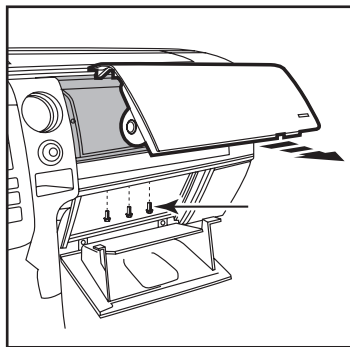
HERRAMIENTAS NECESARIAS

- Herramienta para remoción de paneles
- Destornillador Phillips
- Llave de tubo de 9/32" y 8mm

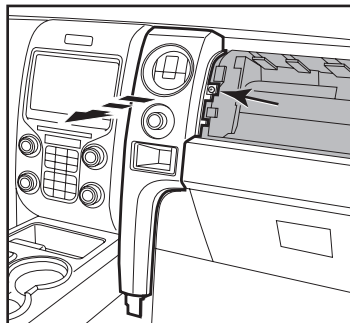
¡Atención! Con la llave fuera del encendido, desconecte el terminal negativo de la batería antes de instalar este producto. Asegúrese de que todas las conexiones de la instalación estén seguras antes de encender y apagar el encendido para probar este producto.

DESMONTAJE DEL TABLERO

1. Abra la guantera y bájela. Después, quite (3) pernos de 8 mm del interior de la guantera que están boca arriba. (Figura A)
2. Quite (1) tornillo de 7 mm que fija el panel de moldura a la derecha del radio. Después, desengánchelo y póngalo a un lado. (Figura B)
3. Quite (4) tornillos de 9/32" que sujetan el panel de radio/control de clima al tablero. Después, desengánchelo, desconéctelo y quítelo. (Figura C)



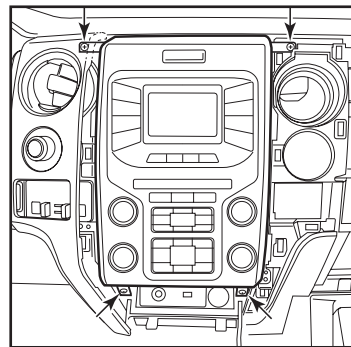
(Figura A)



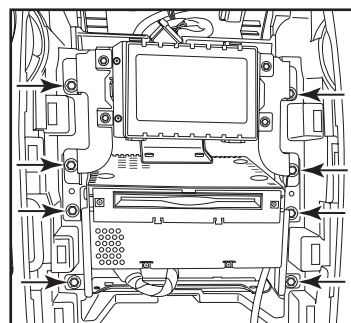
(Figura B)

4. Quite (4) tornillos de 9/32" que sujetan el chasis del radio. Después, desconéctelo y quítelo. (Figura D)
5. Quite (4) tornillos de 9/32" que fijan la pantalla de fábrica. Después, desconéctela y quítela. (Figura D)
6. Suelte a presión, desconecte y quite el botón de control de tracción y guárdelo para el ensamble del kit.

Continúe con la preparación del kit



(Figura C)

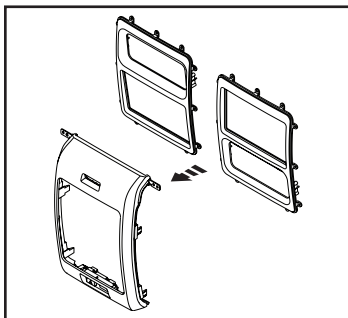


(Figura D)

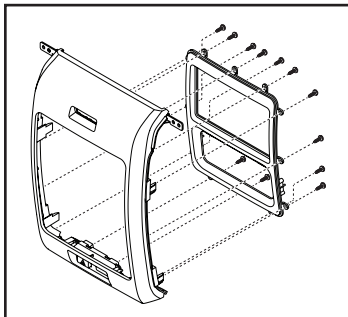
PREPARACIÓN DEL KIT

1. Hay dos paneles diferentes de **submoldura de radio/pantalla** que puede escoger. Uno para montar el radio en la parte superior del kit y otro para montarlo en la parte inferior. (Figura A)
Si se monta el radio en la parte superior, deberá reubicar el módulo de fábrica:

- a. Quite el módulo del subtablero y reubíquelo en la parte inferior de la abertura del tablero. Los soportes de montaje que fijaban el módulo tendrán que doblarse hacia afuera para hacer espacio para que entre el radio.



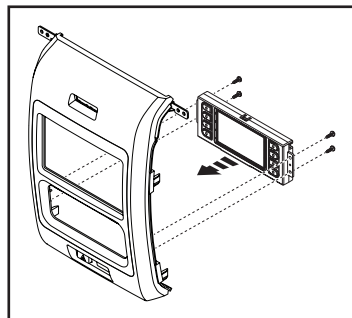
(Figura A)



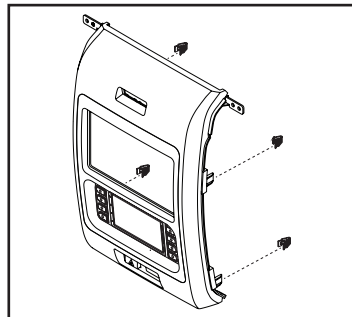
(Figura B)

2. Fije el panel de **submoldura de radio/pantalla** deseado al **panel de radio/pantalla** con los (12) tornillos de cabeza troncónica de #6 x 3/8" incluidos. (Figura B)
3. Una el ensamble de la **pantalla táctil al subpanel del radio/pantalla** con los tornillos de cabeza segmentada de #8 x 3/8" incluidos. (Figura C)
4. Meta a presión el botón de control de tracción de fábrica en el panel.
5. Fije los (4) **ganchos para panel** incluidos al **panel del radio/pantalla**. (Figura D)

Continúe con el ensamble del kit



(Figura C)



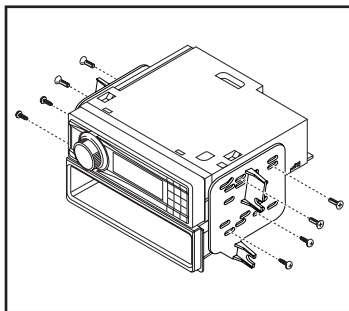
(Figura D)

ENSAMBLE DEL KIT

Provisión de radio ISO DIN con cavidad

1. Fije la **cavidad** a los **soportes del radio** con los (4) tornillos Phillips de cabeza troncónica de #8 x 3/8" incluidos. (Figura A)
2. Quite la manga de metal DIN y el anillo de moldura del radio genérico.
3. Deslice el radio entre los soportes del radio. Después, fíjelo con los tornillos incluidos con el radio. (Figura B)

Continúe con la instalación de la interfaz Axxess

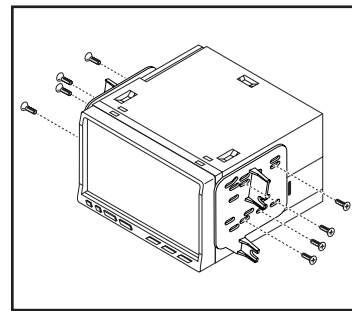


(Figura A)

Provisión de radio ISO DDIN

1. Fije el radio a los **soportes del radio** con los tornillos incluidos con el radio. (Figura B)

Continúe con la instalación de la interfaz Axxess



(Figura A)

INSTALACIÓN DE LA INTERFAZ AXCESS

CARACTERÍSTICAS DE LA INTERFAZ

- Genera corriente de accesorios (12 voltios 10 amperes)
- Conserva el R.A.P. (corriente de accesorio retenida)
- Cuenta con salidas de NAV (freno de mano, reversa, sensor de velocidad)
- Conserva los controles de audio en el volante
- Conserva el SYNC®
- Conserva la cámara de reversa de fábrica
- Conserva el balance y la intensidad
- Actualizable por micro USB “B”

COMPONENTES DE LA INTERFASE

- Interfaz Axcess (incluida en la pantalla táctil)
- Arnés 5846
- Arnés de 16 pins con conectores pelados
- Arnés de cámara de reversa de 12 pins
- Arnés de 4 pins con puertos RCA amarillos
- Arnés de peligro
- Conector hembra de 3.5 mm con conectores pelados

INDICE

Conexiones a realizar	6-7
Instalación de la interfaz.....	8
Inicialización de la interfaz	9
Ensamble final	9
Características adicionales (SYNC).....	9
Funcionamiento de la pantalla táctil	10-11
Configuración de los controles en el volante	12-13
Resolución de problemas.....	14

HERRAMIENTAS NECESARIAS

- Herramienta de engatillado y conectores o pistola de soldadura, soldadora y tubo termorretráctil • Cinta • Cortador de tubos • Abrazaderas plásticas

CONEXIONES A REALIZAR

Del arnés de 16 pins con conectores pelados al radio genérico:

- Conecte los (2) cables **rojos** al cable de accesorios.
- Si el vehículo incluye un subbaffle de fábrica, conecte el cable **azul con blanco** al cable de encendido de amplificador.
- Si el radio genérico tiene cable de silencio, conéctele el cable **anaranjado con blanco**.
- Si el radio genérico tiene un cable de silencio y el vehículo está equipado con SYNC®, conéctele el cable **café**. Si el cable de silencio no está conectado, el radio se apagará cuando se active el SYNC®.
- Conecte el cable **gris** a la salida positiva de la bocina delantera derecha.
- Conecte el cable **gris con negro** a la salida negativa de la bocina delantera derecha.
- Conecte el cable **blanco** a la salida positiva de la bocina delantera izquierda.
- Conecte el cable **blanco con negro** a la salida negativa de la bocina delantera izquierda.
- Encinte e ignore los siguientes (4) cables, ya que no se usarán en esta aplicación. **Verde, verde con negro, morado, morado con negro**

Los siguientes (3) cables son únicamente para radios con multimedia/navegación que los necesitan.

- Conecte el cable **azul con rosa** al cable de VSS/sensor de velocidad.
- Conecte el cable **verde con morado** al cable de reversa.
- Conecte el cable **verde claro** al cable de freno de mano.

Desde el arnés 5846 al radio genérico:

- Conecte el cable **negro** al cable de tierra.
- Conecte el cable **amarillo** al cable de la batería.
- Conecte el cable **verde** a la salida positiva de la bocina trasera izquierda.
- Conecte el cable **verde con negro** a la salida negativa de la bocina trasera izquierda.
- Conecte el cable **morado** a la salida positiva de la bocina trasera derecha.
- Conecte el cable **morado con negro** a la salida negativa de la bocina derecha trasera.
- Encinte e ignore el siguiente (1) cable, ya que no se usará en esta aplicación. **Azul**
- **En los modelos que tienen SYNC®:** Conecte los conectores RCA **rojo** y **blanco** etiquetados "RSE/SYNC/SAT" a los conectores AUX-IN de audio que tiene el radio genérico.
- **En los modelos que no tienen SYNC®:** Conecte los conectores RCA **rojo** y **blanco** etiquetados "FROM 3.5" a los conectores AUX-IN de audio del radio genérico.
- Ignore el puerto DIN ya que no se utilizará en esta aplicación.

Continúa en la siguiente página

Conservación del control en volante con entrada de 3.5 mm:

- La entrada de 3.5 mm debe usarse para conservar los controles de audio en el volante.
- Para los radios que se mencionan a continuación, conecte el **conector hembra de 3.5 mm con conectores pelados** al conector macho SWC de 3.5 mm del **arnés 5846**. Todo cable restante debe encintarse y descartarse.

- **Eclipse:** Conecte el cable de control en volante, que suele ser **café**, al cable **café/blanco** del conector. Después, conecte el cable restante de control en volante, que suele ser **café/blanco**, al cable **café** del conector.

- **Metra OE:** Conecte el cable Key 1 (**gris**) del control en el volante al cable **café**.

- **Kenwood o ciertos modelos JVC con un cable de control en el volante:** Conecte el cable **azul/amarillo** al cable **café**.

Nota: Si su radio **Kenwood** se detecta automáticamente como JVC, defina manualmente el tipo de radio a **Kenwood**. Consulte las instrucciones en la sección **“Cambio del tipo de radio”**.

- **XITE:** Conecte el cable SWC-2 de control en el volante del radio al cable **café**.

- **Parrot Asteroid Smart o Tablet:** Conecte el conector de 3.5 mm al AX-SWC-PARROT (Se vende por separado) y después, conecte el conector de 4 pins del AX-SWC-PARROT al radio.

Nota: El radio debe estar actualizado a la versión de software 2.1.4 o posterior.

- **Radio universal de “2 o 3 cables”:** Conecte el cable de control en volante, que se conoce como Key-A o SWC-1, al cable **café** del conector. Después, conecte el cable de control en volante restante, que se conoce como Key-B o SWC-2, al cable **café/blanco** del conector. Si el radio incluye un tercer cable de puesta a tierra, descarte este cable.

Nota: Después de haber programado la interfaz al vehículo, consulte el manual incluido con el radio para saber cómo asignar los botones SWC. Comuníquese con el fabricante de radio para más información.

- **Para todos los demás radios:** Conecte el conector de 3.5 mm del arnés 3028 en la entrada en el radio genérico designada para una interfaz de control al volante externa. Consulte el manual de los radios genéricos en caso de tener dudas sobre adónde va el conector de 3.5 mm.

Arnés de cámara de reversa de 12 pins:

Hay dos alternativas distintas para conectar la cámara de reversa de fábrica.

Si se quiere conservar la cámara que va al radio genérico:

- Conecte el conector RCA **amarillo** en la entrada de la cámara de reversa al radio genérico.

Si se quiere conservar la cámara que va a la pantalla táctil:

- Conecte el conector RCA **amarillo** al conector RCA **amarillo** en el arnés de 4 pins con los conectores RCA amarillos etiquetados “Rearview camera”.

Nota: Si elige este método, debe activarse la opción de la cámara de reversa en la pantalla de ajustes de configuración.

Arnés de 4 pins con puertos RCA amarillos:

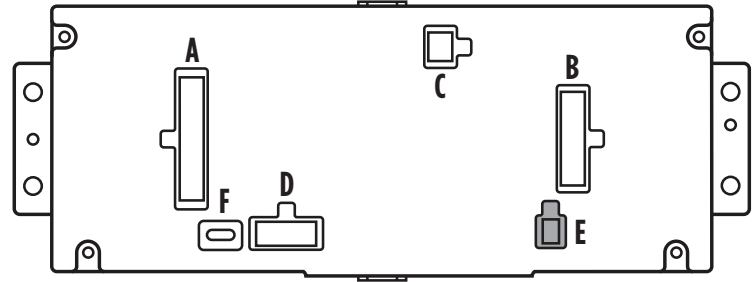
- Si desea conservar la cámara de reversa de fábrica a la pantalla táctil, conecte el conector RCA **amarillo** etiquetado “Rearview Camera” al conector RCA **amarillo** en el arnés de cámara de reversa de 12 o 54 pins.
- Ignore la entrada RCA **amarillo** con la etiqueta “AUX video”, ya que no se usará en esta aplicación.

INSTALACIÓN DE LA INTERFAZ

Es ampliamente recomendable que lea los siguientes pasos con antelación para asegurarse de que comprende lo que debe hacer. Los siguientes pasos deben realizarse en el mismo orden que indican los números.

Con el vehículo completamente apagado:

1. Conecte el **arnés de 16 pins con conectores pelados** al puerto “B” que se encuentra en la pantalla táctil.
2. Conecte el **arnés 5846** a los arneses de cableado que se encuentran en el vehículo. Estos arneses son los que retiró en el paso n.º 4 del desarmado del tablero. Posteriormente inserte el arnés 5846 al puerto “A” que se encuentra en la pantalla táctil. Pero no instale este arnés hasta después de haber llevado a cabo el paso n.º 1 de la sección **“Inicialización de la interfaz”**. Este es un proceso cronometrado.
3. Conecte el **arnés de 4 pins con los puertos RCA amarillos** al puerto “C” que se encuentra en la pantalla táctil.
4. Conecte el arnés de peligro al puerto “D” que se encuentra en la pantalla táctil y después, al arnés de cableado en el vehículo. Este es el arnés que quitó en el paso n.º 3 del desarmado del tablero.
5. Ignore el puerto “E”, ya que no se utilizará en esta aplicación.
6. El puerto “F” es un puerto de actualización para futuras actualizaciones de firmware.



INICIALIZACIÓN DE LA INTERFAZ

¡Atención! Si la interfaz pierde la alimentación por cualquier motivo, deberá realizar los siguientes pasos de nuevo.

1. Consulte el paso n.º 2 de la sección “Instalación de la interfaz”.
2. Oprima el botón de encendido para arrancar el vehículo.
3. Programe el kit:
 - a. Cuando cargue la pantalla táctil, seleccione el tipo de vehículo. Por ejemplo, “Ford F-150 2013-2014”.
 - b. Espere hasta que el radio se encienda y que la pantalla táctil muestre la leyenda “SWC configurado*”. Este proceso podría tomar hasta 3 minutos.

Nota: Si la pantalla táctil no carga, si el radio no se enciende en 3 minutos o la pantalla táctil no muestra el mensaje “SWC configurado*”, apague el vehículo y desconecte los arneses 5846 del puerto “A” en la pantalla táctil. Revise todas las conexiones, reconecte el arnés a la pantalla táctil e inténtelo de nuevo.

* Para los modelos con los controles en el volante.

4. Antes de volver a armar el tablero, pruebe todas las funciones de la instalación para corroborar que todo funciona correctamente.

ENSAMBLE FINAL

1. Fije el ensamble terminado al tablero con la tornillería de fábrica.
2. Meta a presión el **panel de moldura del radio** con la **pantalla táctil** sobre el ensamble completo; posteriormente, vuelva a ensamblar el tablero al revés de como lo desarmó.

CARACTERÍSTICAS ADICIONALES

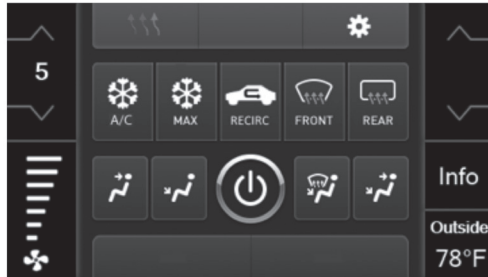
SYNC:

Si el vehículo está equipado con SYNC, el 99-5846B puede conservar esta función.

- Cambie el origen del radio a AUX-IN.
- Oprima el botón “Info” en la pantalla táctil para entrar al menú SYNC. Oprima el botón “HVAC” para regresar al menú principal.

FUNCIONAMIENTO DE LA PANTALLA TÁCTIL

Pantalla de control de climatización



Controles manuales de clima

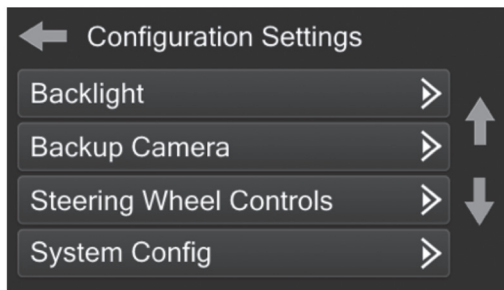


Controles automáticos de clima

- Esta es la pantalla de control de climatización que se mostrará en la pantalla táctil. A esta pantalla se le considera la pantalla principal.
- La pestaña superior derecha con (3) flechas le llevará a la pantalla de **calefacción/ enfriamiento** de asientos, si corresponde.
Nota: Esta pantalla también incluirá la función de calefacción de volante si corresponde.
- La pestaña superior derecha con el ícono del engrane le dirigirá a la pantalla de **ajustes de configuración**.
- **Modelos con clima automático:** Los controles de clima funcionarán de la misma manera que lo hacen los controles de clima de fábrica.
- **Modelos con clima manual:** Los controles de clima funcionarán de la misma manera que los controles de clima de fábrica, aunque con los botones de la pantalla táctil. El control de temperatura se mostrará en una escala numérica, en que “LO” será la temperatura más fría y “HI” será la más caliente: LO / 1-9 / HI
Nota: Sólo se mostrará el botón “Info” si quiere conservarse el SYNC.

Continúa en la siguiente página

Pantalla de ajustes de configuración



• Luz de fondo

- Cuatro barras deslizables controlan el color de los botones así como la intensidad de la luz de fondo: Rojo / verde / azul / luz de fondo

• Cámara de reversa

- Habilitar: habilita la imagen de la cámara de reversa para que se muestre en la pantalla táctil
- Deshabilitar: deshabilita la imagen de la cámara de reversa para que no se muestre en la pantalla táctil (predeterminado)

• Controles en volante

- Remapear botones: sirve para volver a asignar los botones de control en el volante
- Asignación dual: sirve para asignar dos funciones a los botones de control en el volante (presión prolongada)
- Seleccionar radio: sirve para detectar el radio automáticamente o cambiar el tipo de radio

Configuración del sistema

- Versión del firmware

Calibración de la pantalla táctil

- Mantenga oprimidos los dos botones superiores de presión suave que están en cada lado de la pantalla táctil durante 10 segundos.
- Aparecerá una ventana emergente que le pedirá que oprima la diana que aparezca en la pantalla.
- Ya que haya oprimido la diana con el dedo, habrá terminado el proceso de calibración y la pantalla desaparecerá.

CONFIGURACIÓN DE CONTROLES EN EL VOLANTE

Pantalla de selección de radio



- Oprima el botón “Detectar automáticamente” para mostrar la marca del radio que la interfaz detectó en automático. El radio detectado estará seleccionado con un círculo lleno. Si se muestra el radio incorrecto, seleccione el radio que corresponde.
- A continuación se muestra una lista de fabricantes de radio que la interfaz reconoce actualmente. Es posible que se añadan más posteriormente. Los radios universales de “2 o 3 cables” pueden aparecer como cualquiera de estos fabricantes de radio.

Eclipse (Type 1) †	Pioneer/Jensen	Clarion (Type 2) †	Parrot **
Kenwood ‡	Alpine *	Metra OE	XITE
Clarion (Type 1) †	Visteon	Eclipse (Type 2) †	Philips
Sony / Dual	Valor	LG	JBL
JVC			

*** Nota:** Si la interfaz muestra un radio Alpine y no tiene conectado un radio Alpine, quiere decir que la interfaz no detecta el radio que está conectado. Por ejemplo, puede haber una conexión abierta. Revise que el conector de 3.5 mm esté conectado al cable/entrada de volante correcto en el radio.

**** Nota:** Se necesita el AX-SWC-PARROT (se vende por separado). Además, el radio Parrot debe estar actualizado a la versión de software 2.1.4 o posterior mediante www.parrot.com.

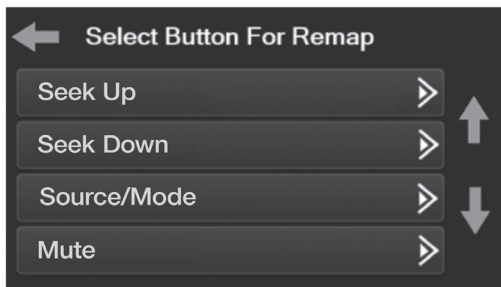
† Nota: Si tiene un radio Clarion y los controles en el volante no funcionan, cambie el tipo de radio al otro tipo de radio Clarion; haga lo mismo con Eclipse.

‡ Nota: Si tiene un radio Kenwood y la pantalla táctil muestra un radio JVC, cambie el tipo de radio a Kenwood.

Continúa en la siguiente página

CONFIGURACIÓN DE CONTROLES EN EL VOLANTE (CONT.)

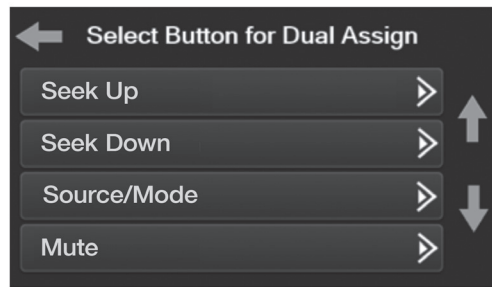
Pantalla de remapeo de botones



- La interfaz tiene la capacidad de cambiar la asignación de botones por los botones de audio de control en el volante, menos los botones de Subir volumen y Bajar volumen. Siga las ventanas emergentes que aparezcan en la pantalla táctil para reasignar los botones de audio de control en el volante a su gusto.

Nota: Es posible que el radio genérico no cuente con todos estos comandos. Consulte el manual que incluye el radio o comuníquese con el fabricante del radio para consultar los comandos específicos que reconoce este radio en especial.

Pantalla de asignación dual



- La interfaz tiene la capacidad de asignar (2) funciones a un mismo botón, salvo por los botones de Subir volumen y Bajar volumen. Siga las ventanas emergentes que aparezcan en la pantalla táctil para reasignar los botones a su gusto.

Nota: **Buscar siguiente** y **Buscar anterior** vienen programados como **Subir preestablecido** y **Bajar preestablecido** cuando se oprime el botón por largo tiempo.

RESOLUCIÓN DE PROBLEMAS

Opción n.º 1

1. Con todo conectado y el auto encendido.
2. Mantenga oprimidos los (2) botones inferiores durante 3 segundos y luego, suéltelos. (Figura A) (La pantalla se pondrá en negro para, después, mostrar la pantalla de selección de vehículo)
3. Seleccione su vehículo y espere hasta que aparezca el mensaje “SWC configurado” en la pantalla.
4. Apague la marcha y arranque el vehículo. Después, haga pruebas en la interfaz.



(Figura A)

Opción n.º 2

1. Con el vehículo prendido, oprima el botón de **Reinicio de tipo de vehículo** que se mencionó en la sección “**Configuración del sistema**”.
2. Consulte el paso n.º 3 de la sección “**Programación**” a partir de este momento.





99-5846B
INSTRUCCIONES DE INSTALACIÓN



¿Tienes dificultades? Estamos aquí para ayudar.



Póngase en contacto con nuestra
línea de soporte técnico en:
386-257-1187



O por correo electrónico a:
techsupport@metra-autosound.com

Horas de soporte técnico (hora estándar del este)

Monday - Friday: 9:00 AM - 7:00 PM

Saturday: 10:00 AM - 7:00 PM

Sunday: 10:00 AM - 4:00 PM



KNOWLEDGE IS POWER

Enhance your installation and fabrication skills by enrolling in the most recognized and respected mobile electronics school in our industry. Log onto www.installerinstitute.edu or call 386-672-5771 for more information and take steps toward a better tomorrow.



**Metra recomienda MECP
técnicos certificados**