



INSTALLATION INSTRUCTIONS FOR PART 99-2008

APPLICATIONS

Cadillac DTS 2006-up Cadillac SRX 2007-2009 99-2008

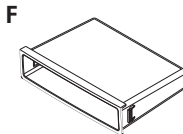
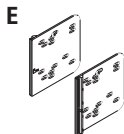
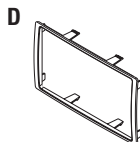
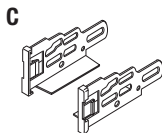
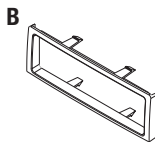
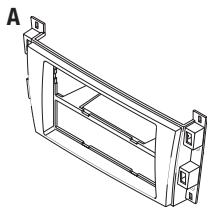
KIT FEATURES

- DIN radio provision with pocket
- ISO mount radio provision with pocket
- Double DIN radio provision



KIT COMPONENTS

- A) Radio Housing • B) ISO Trim Plate • C) ISO Brackets • D) Double DIN Trim Plate
E) Double DIN Brackets • F) Pocket

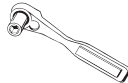
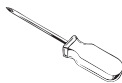
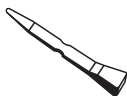


WIRING & ANTENNA CONNECTIONS (Sold Separately)

- Wiring Harness: • GMOS-LAN-01 GM LAN Interface 2006-up
• GMOS-LAN-02 GM LAN Amplified-Interface 2006-up
• GMOS-LAN-05 GM Digital LAN Amp Interface With Onstar 2007-up
- Antenna Adapter: • 40-CR10 Chrysler/GM Antenna Adapter 2002-up

TOOLS REQUIRED

Panel Removal Tool • Phillips Screwdriver • Small Flat Blade Screwdriver • Socket Wrench



METRA. THE WORLD'S BEST KITS.™



1-800-221-0932



metraonline.com

© COPYRIGHT 2004-2011 METRA ELECTRONICS CORPORATION



99-2008

Table of Contents

Dash Disassembly

- Cadillac DTS 2006-up.....3
- Cadillac SRX 2007-2009.....4-5

Kit Assembly

- DIN radio provision with pocket6
- ISO mount radio provision with pocket.....7
- Double DIN radio provision8

Caution

Metra recommends disconnecting the negative battery terminal before beginning any installation. All accessories, switches, and especially air bag indicator lights must be plugged in before reconnecting the battery or cycling the ignition.

**NOTE: Refer also to the instructions included with the aftermarket radio.*



KNOWLEDGE IS POWER

Enhance your installation and fabrication skills by enrolling in the most recognized and respected mobile electronics school in our industry. Log onto www.installerinstitute.com or call 800-354-6782 for more information and take steps toward a better tomorrow.

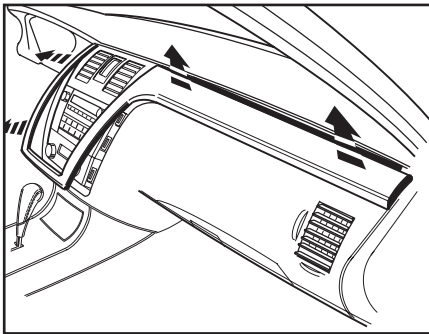


Metra recommends MECP certified technicians

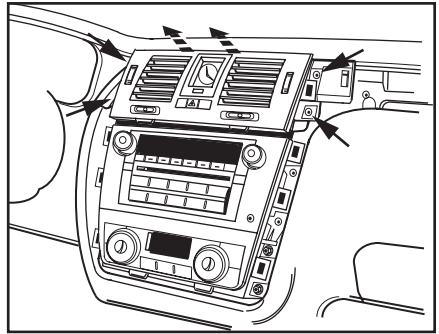
Cadillac DTS 2006-up

1. Unclip and remove the trim panel around the radio, climate controls and ac vents and above glove box. (Figure A)
2. Remove (4) 9/32" screws securing the a/c vent panel. Unplug and remove the panel. (Figure B)
3. Remove (4) 9/32" screws securing the climate controls. Unplug and remove the climate controls. (Figure C)
4. Remove (4) 9/32" screws securing the radio. Unplug and remove the radio. (Figure D)

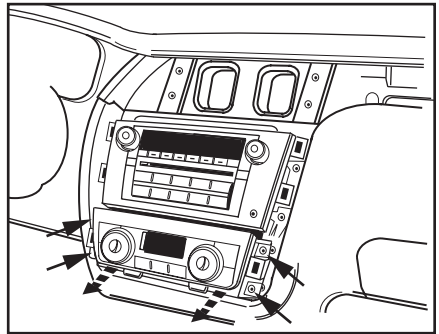
Continued on next page



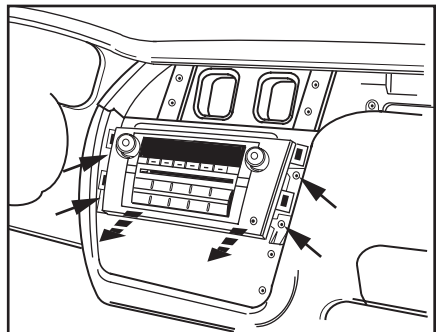
(Figure A)



(Figure B)



(Figure C)

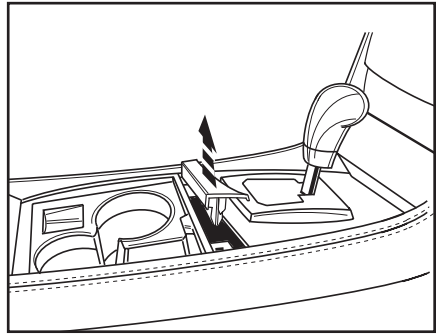


(Figure D)

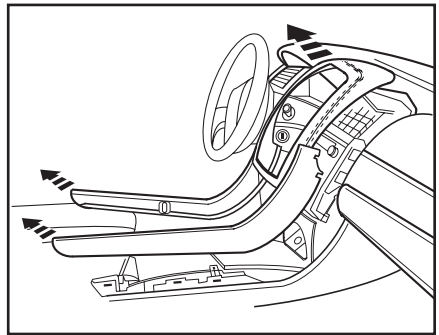
Cadillac SRX 2007-2009

1. Unclip and remove trim piece between shifter and cup holders. (Figure A)
2. Unclip and remove the trim panel around the radio, climate controls, ac vents and front half of center console. (Figure B)
3. Remove (3) 9/32" screws securing the a/c vent panel and remove the panel. (Figure C)

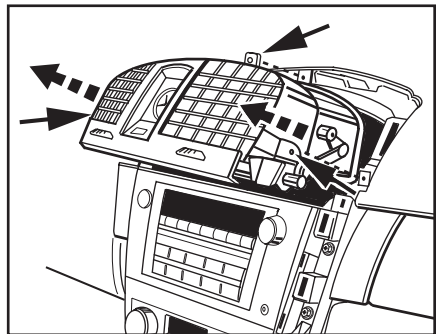
Continued on next page



(Figure A)



(Figure B)

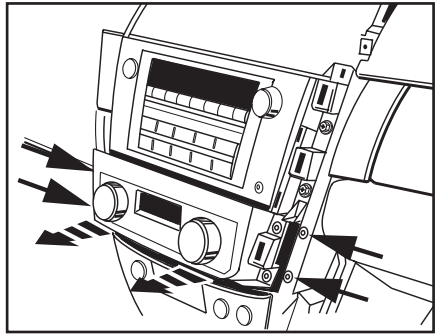


(Figure C)

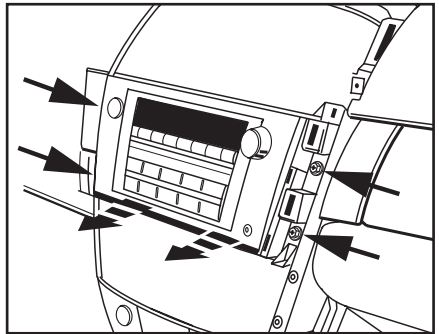
Cadillac SRX 2007-2009

4. Remove (4) 9/32" screws securing the climate controls. Unplug and remove the climate controls. (Figure D)
5. Remove (4) 9/32" screws securing the climate controls. Unplug and remove the climate controls. (Figure D)
6. Remove (4) 9/32" screws securing the radio. Unplug and remove the radio. (Figure E)

Continue to kit assembly



(Figure D)



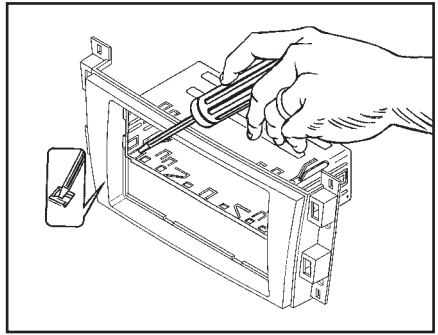
(Figure E)



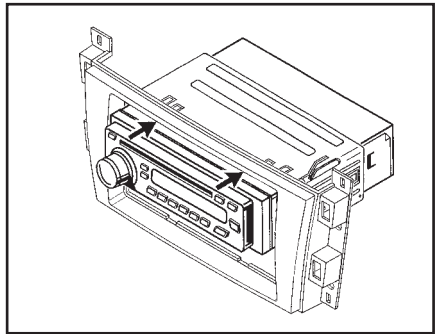
Kit Assembly 99-2008

DIN radio provision with pocket

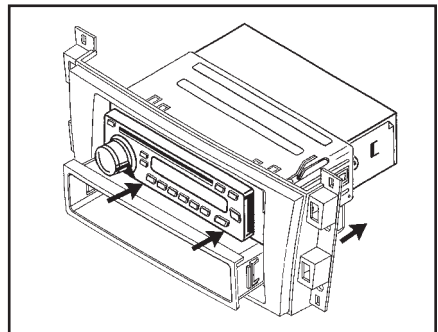
1. Locate the factory wiring harness in the dash. Metra recommends using the proper mating adapter from Metra or AXXESS. Re-connect the negative battery terminal and test the unit for proper operation.
2. Slide the DIN cage into the radio housing and secure by bending the metal locking tabs outward. (Figure A)
3. Slide the aftermarket radio into the cage until it snaps into place. (Figure B)
4. Snap the pocket into the housing. (Figure C)
5. Reassemble dash in reverse order of disassembly.



(Figure A)



(Figure B)



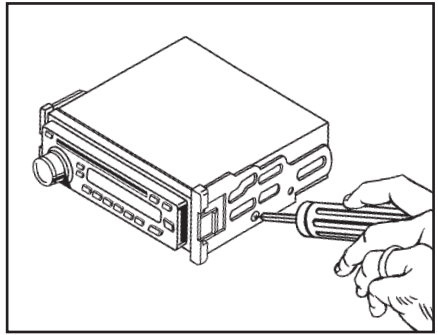
(Figure C)



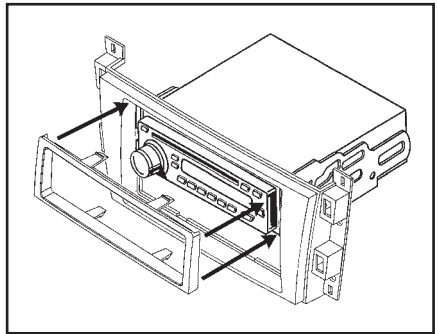
Kit Assembly 99-2008

ISO mount radio provision with pocket

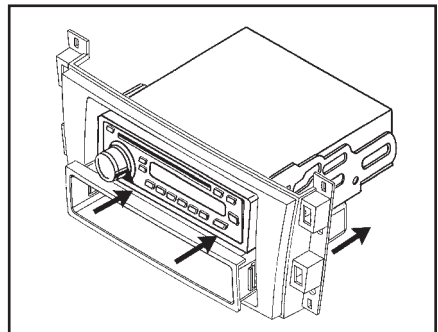
1. Locate the factory wiring harness in the dash. Metra recommends using the proper mating adapter from Metra or AXXESS. Re-connect the negative battery terminal and test the unit for proper operation.
2. Mount the ISO brackets to the radio using the screws supplied with the radio. (Figure A)
3. Slide the radio into the radio housing until it snaps into place. (Figure B)
4. Snap the trim plate onto the front of the radio housing. (Figure B)
5. Snap the pocket into the housing. (Figure C)
6. Reassemble dash in reverse order of disassembly.



(Figure A)



(Figure B)



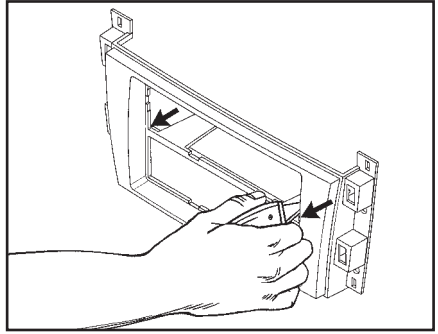
(Figure C)



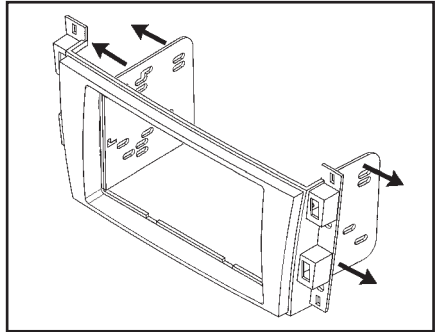
Kit Assembly 99-2008

Double DIN radio provision

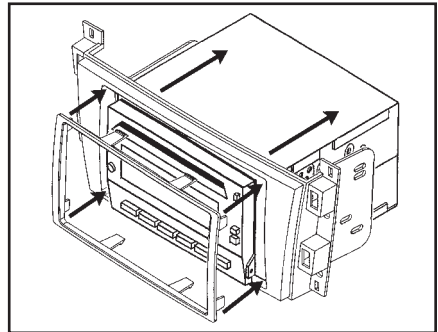
1. Locate the factory wiring harness in the dash. Metra recommends using the proper mating adapter from Metra or AXCESS. Re-connect the negative battery terminal and test the unit for proper operation.
2. Cut and remove the center bar from the radio housing. (Figure A)
3. Snap the Double DIN brackets to the inside edge of the radio housing. (Figure B)
4. Slide the Double DIN radio or stacked ISO mount units into the bracket/radio housing assembly then secure to the assembly using the screws supplied with the radio or ISO mount units. (Figure C)
5. Snap the Double DIN trim plate onto the front of the radio housing. (Figure C)
6. Reassemble dash in reverse order of disassembly.



(Figure A)



(Figure B)



(Figure C)



INSTALLATION INSTRUCTIONS FOR PART 99-2008

REV. 6/16/11

METRA. THE WORLD'S BEST KITS.™



1-800-221-0932



metraonline.com

© COPYRIGHT 2004-2011 METRA ELECTRONICS CORPORATION