



Cadillac Escalade, Escalade ESV, Escalade EXT 2007-2014 STS 2005-2011

Visit MetraOnline.com for more detailed information about the product and up-to-date vehicle specific applications

KIT FEATURES

- ISO DIN radio provision with pocket
- Double DIN radio provision
- Painted matte black to match OEM finish

KIT COMPONENTS

- A) Radio housing • B) Radio housing trim panel • C) Radio brackets • D) Pocket • E) #8 x 3/8" Phillips screws (4)

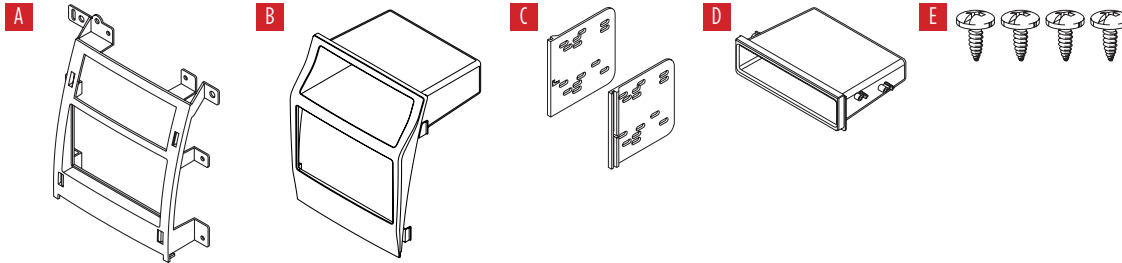


TABLE OF CONTENTS

Dash Disassembly	2-3
Kit Preparation	4-5
Kit Assembly	
-ISO DIN radio provision with pocket	6-7
-DDIN radio provision	7-8

WIRING & ANTENNA CONNECTIONS (sold separately)

Wiring Harness: Visit metraonline.com for audio/video and steering wheel control interface options.
Antenna Adapter: 40-CR10

TOOLS REQUIRED

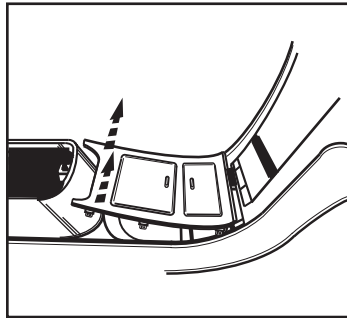
- Panel removal tool • Small flat blade screwdriver
- Phillips screwdriver • Socket wrench

Attention! With the key out of the ignition, disconnect the negative battery terminal before installing this product. Ensure that all installation connections are secure before cycling the ignition to test this product.

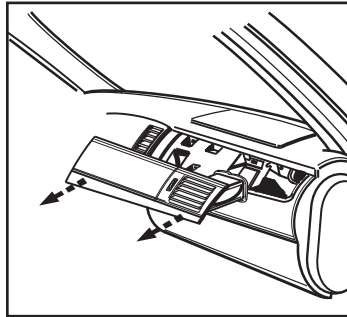
DASH DISASSEMBLY

Cadillac Escalade, Escalade ESV, Escalade EXT 2007-2014

1. Unclip and remove cup holder and ashtray assembly. (Figure A)
2. Unclip and remove the trim panel above the glove box including the a/c vent. (Figure B)



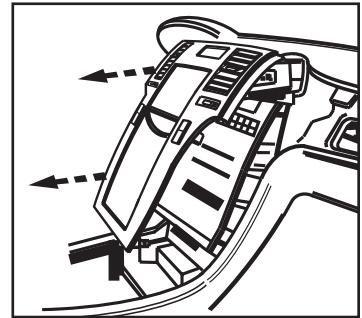
(Figure A)



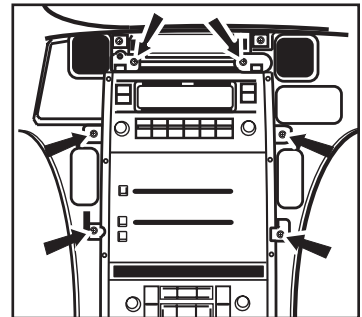
(Figure B)

3. Unclip and remove the entire panel surrounding the radio including the a/c vents. (Figure C)
4. Remove (6) 9/32" screws to extract radio from dash. (Figure D)

Continue to Kit Preparation



(Figure C)



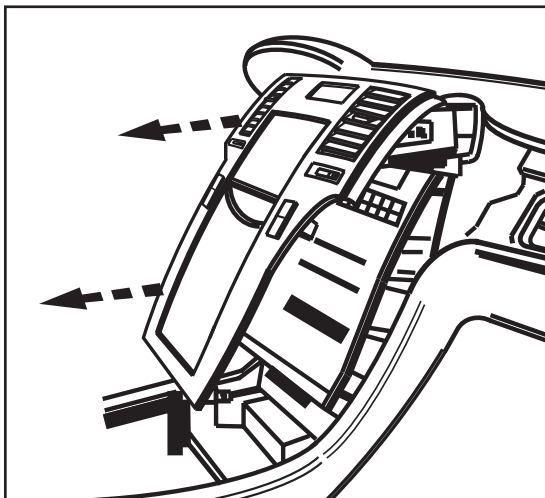
(Figure D)

DASH DISASSEMBLY

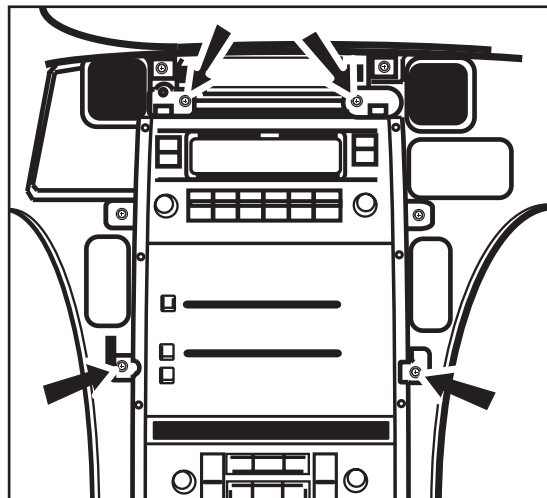
Cadillac STS 2005-2011

1. Unclip and remove the entire panel surrounding the radio including the a/c vents. (Figure A)
2. Remove (4) 10mm bolts to extract radio from dash. (Figure B)

Continue to kit assembly.



(Figure A)



(Figure B)

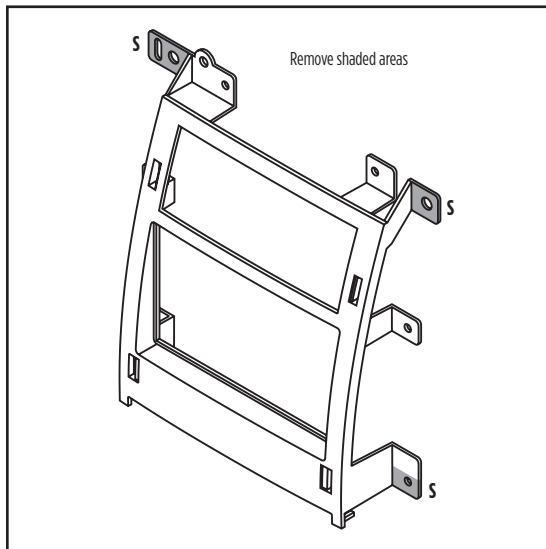
KIT PREPARATION

Cadillac Escalade, Escalade ESV, Escalade EXT 2007-2014

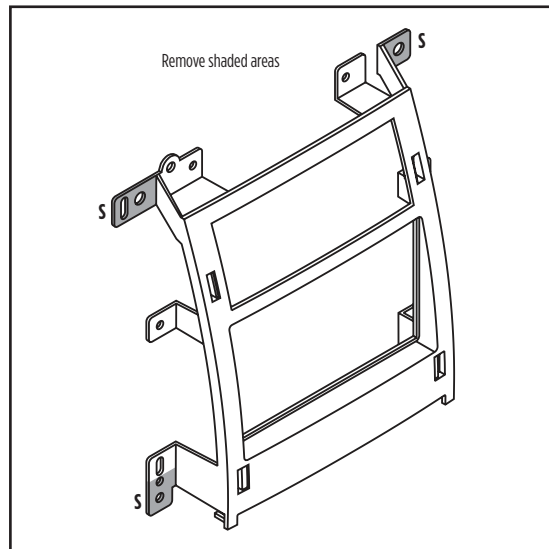
1. Cut and remove the shaded areas marked with an "S" only from the **radio housing**. (Figures A, B)

Note: Do not remove the tab marked with both "S" and "E".

Continue to kit assembly.



(Figure A)



(Figure B)

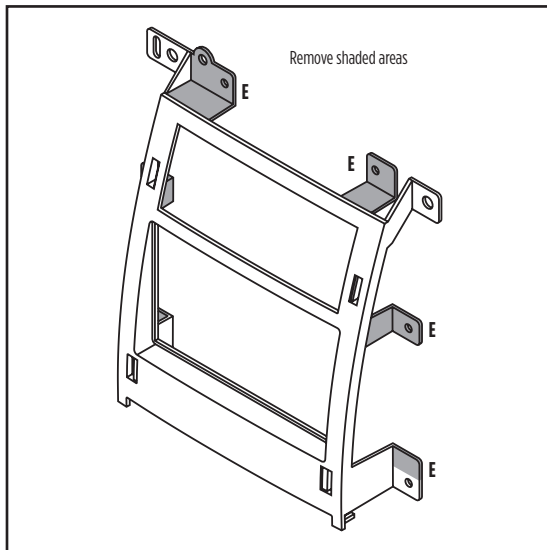
KIT PREPARATION

Cadillac STS 2005-2011

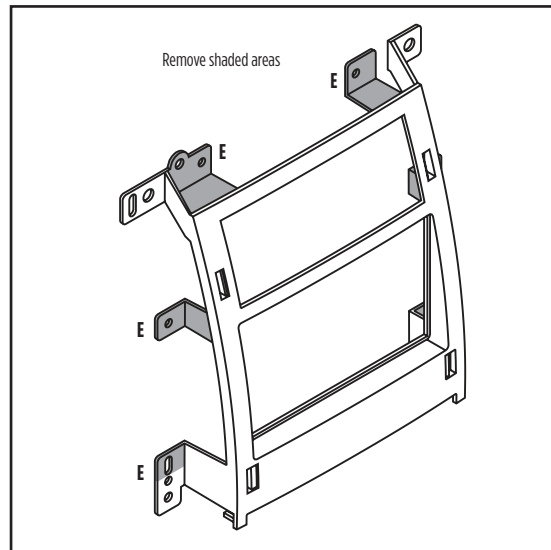
1. Cut and remove the shaded areas marked with an “E” only from the **radio housing**. (Figures A, B)

Note: Do not remove the tab marked with both “S” and “E”.

Continue to kit assembly.



(Figure A)



(Figure B)

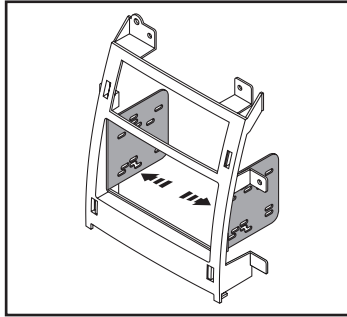
KIT ASSEMBLY

Cadillac Escalade, Escalade ESV,
Escalade EXT 2007-2014

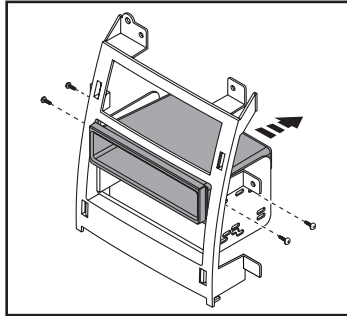
ISO DIN mount radio provision with pocket

Note: Refer also to the instructions included with the aftermarket radio.

1. Flip the **radio housing brackets** upside down then snap them to the inside edge of the **radio housing**. (Figure A)
2. Slide the **pocket** into the top of the opening aligning the holes in the **radio housing brackets** with the bosses on the pocket and secure using the provided #8 x 3/8" screws (4). (Figure B)
3. Locate the factory wiring harness and antenna connector in the dash, and complete all necessary connections to the radio. Metra recommends using the proper mating adapter from Metra and/or AXXESS. Re-connect the negative battery terminal and test the radio for proper operation.

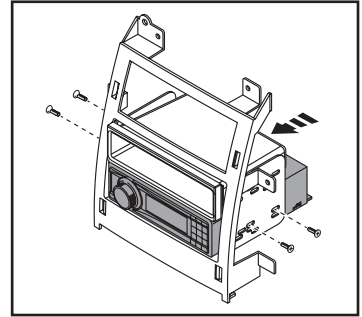


(Figure A)

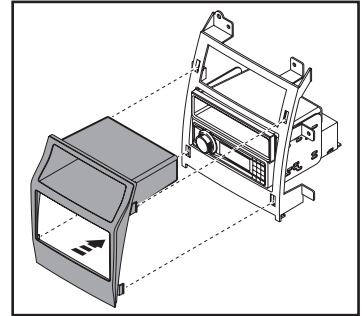


(Figure B)

4. Slide the ISO DIN radio into the opening below the **pocket** and secure the unit to the kit using the screws supplied with the radio. (Figure C)
5. Snap the **radio housing trim plate** onto the front of the **radio housing**. (Figure D)
6. Reassemble dash in reverse order of disassembly.



(Figure C)



(Figure D)

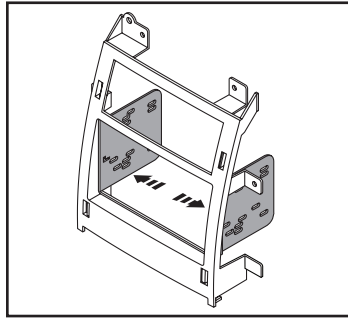
KIT ASSEMBLY

Cadillac Escalade, Escalade ESV, Escalade EXT 2007-2014

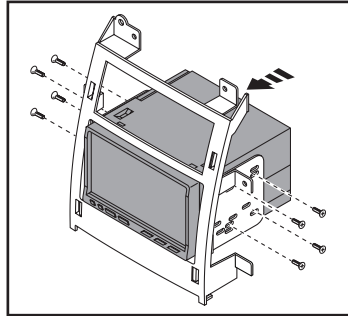
DDIN radio provision

Note: Refer also to the instructions included with the aftermarket radio.

1. Attach the **radio housing brackets** to the inside edge of the **radio housing**. (Figure A)
2. Locate the factory wiring harness and antenna connector in the dash, and complete all necessary connections to the radio. Metra recommends using the proper mating adapter from Metra and/or AXXESS. Re-connect the negative battery terminal and test the radio for proper operation.

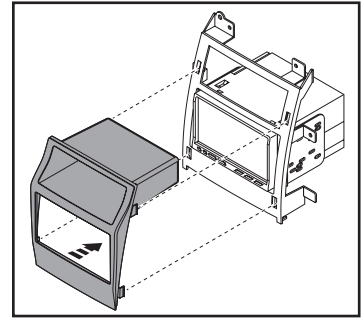


(Figure A)



(Figure B)

3. Slide the Double DIN radio into the radio housing bracket assembly and secure the unit using the screws supplied with the radio. (Figure B)
4. Snap the **radio housing trim plate** onto the front of the **radio housing**. (Figure C)
5. Reassemble dash in reverse order of disassembly.



(Figure C)

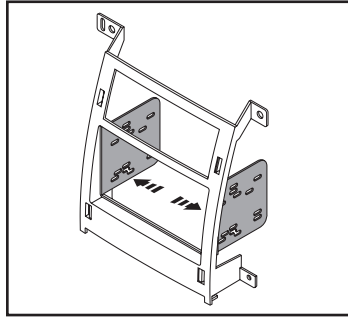
KIT ASSEMBLY

Cadillac STS 2005-2011

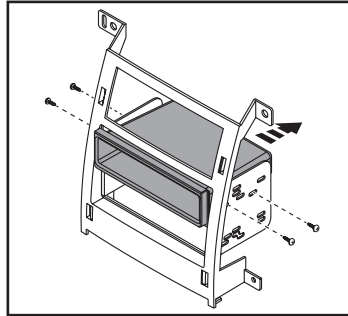
ISO DIN mount radio provision with pocket

Note: Refer also to the instructions included with the aftermarket radio.

1. Flip the **radio housing brackets** upside down then snap them to the inside edge of the **radio housing**. (Figure A)
2. Slide the **pocket** into the top of the opening aligning the holes in the **radio housing brackets** with the bosses on the pocket and secure using the provided #8 x 3/8" screws (4). (Figure B)
3. Locate the factory wiring harness and antenna connector in the dash, and complete all necessary connections to the radio. Metra recommends using the proper mating adapter from Metra and/or AXXESS. Re-connect the negative battery terminal and test the radio for proper operation.

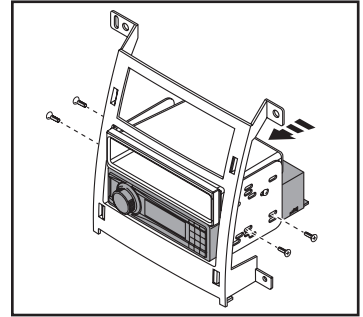


(Figure A)

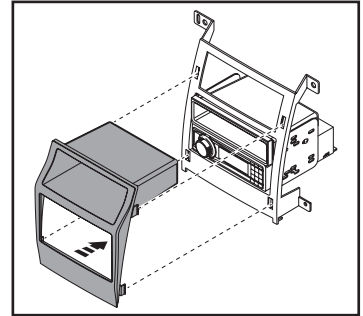


(Figure B)

4. Slide the ISO DIN radio into the opening below the **pocket** and secure the unit to the kit using the screws supplied with the radio. (Figure C)
5. Snap the **radio housing trim plate** onto the front of the **radio housing**. (Figure D)
6. Reassemble dash in reverse order of disassembly.



(Figure C)



(Figure D)

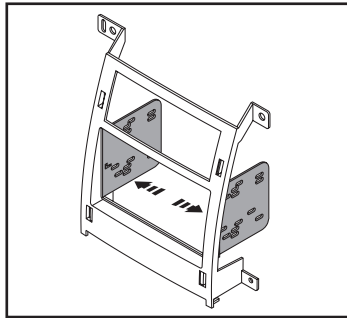
KIT ASSEMBLY

Cadillac STS 2005–2011

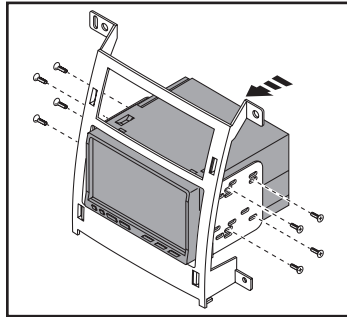
DDIN radio provision

Note: Refer also to the instructions included with the aftermarket radio.

1. Attach the **radio housing brackets** to the inside edge of the **radio housing**. (Figure A)
2. Locate the factory wiring harness and antenna connector in the dash, and complete all necessary connections to the radio. Metra recommends using the proper mating adapter from Metra and/or AXXESS. Re-connect the negative battery terminal and test the radio for proper operation.

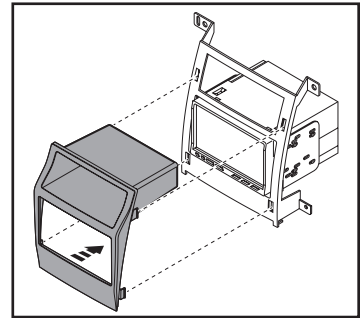


(Figure A)



(Figure B)

3. Slide the Double DIN radio into the radio housing bracket assembly and secure the unit using the screws supplied with the radio. (Figure B)
4. Snap the **radio housing trim plate** onto the front of the **radio housing**. (Figure C)
5. Reassemble dash in reverse order of disassembly.



(Figure C)



99-2007
INSTALLATION INSTRUCTIONS



Having difficulties? We're here to help.



Contact our Tech Support line at:

386-257-1187



Or via email at:

techsupport@metra-autosound.com

Tech Support Hours (Eastern Standard Time)

Monday - Friday: 9:00 AM - 7:00 PM

Saturday: 10:00 AM - 7:00 PM

Sunday: 10:00 AM - 4:00 PM



KNOWLEDGE IS POWER

Enhance your installation and fabrication skills by enrolling in the most recognized and respected mobile electronics school in our industry. Log onto www.installerinstitute.edu or call 386-672-5771 for more information and take steps toward a better tomorrow.



**Metra recommends MECP
certified technicians**