



INSTALLATION INSTRUCTIONS FOR PART 95-9009

APPLICATIONS VW Touareg/Touareg2 2004-2010

95-9009

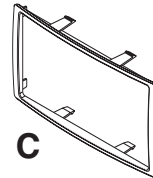
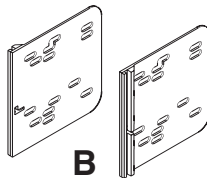
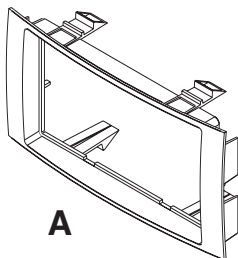
KIT FEATURES

- Double DIN radio provision
- Stacked ISO unit provision



KIT COMPONENTS

A) Radio Housing • B) Double DIN Brackets • C) Double DIN Trim Plate



WIRING AND ANTENNA CONNECTIONS (Sold Separately)

Wiring Harness:

- 70- 9003 - VW Toureg Harness 2004-up

Antenna Adapter:

- 40-EU55 Amplified VW Antenna Adapter

TOOLS REQUIRED:

* 86-9001 Head Unit Removal Tool • Flat Blade Screwdriver Or Panel Removal Tool

* **Note:** *Two sets of the head unit removal tools are recommended for easier removal of factor head unit.*



1-800-221-0932



www.metraonline.com

© COPYRIGHT 2004-2010 METRA ELECTRONICS CORPORATION



TABLE OF CONTENTS

Dash Disassembly

- VW Touareg/Touareg2 2004-2010 1

Kit Assembly

- Double DIN Radio Provision 2

- Stacked ISO Unit Provision 3

Final Assembly 4



KNOWLEDGE IS POWER

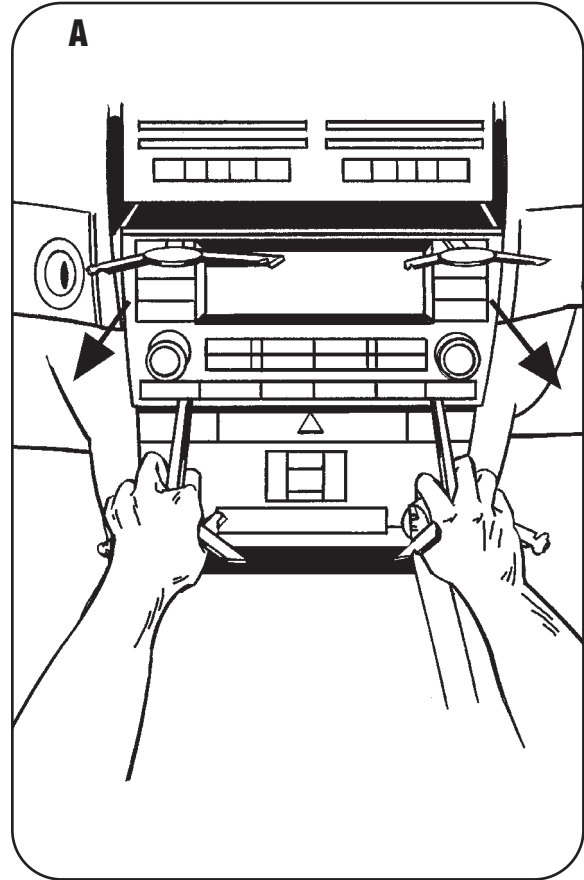
Enhance your installation and fabrication skills by enrolling in the most recognized and respected mobile electronics school in our industry. Log onto www.installerinstitute.com or call 800-354-6782 for more information and take steps toward a better tomorrow.

Note: This installation kit is an extremely tight fit and requires force to be “snapped” into the dash opening. Removal of aftermarket radio is even more difficult than installation, so please be sure to fully test the aftermarket radio prior to completeing the kit’s installation.

VW TOUAREG/TOUAREG2 2004-2010

- 1 Disconnect the negative battery terminal to prevent an accidental short circuit.
- 2 Insert the long ends of the 86-9001 into the slots on the factory radio and pull out to remove.
Note: Flat edge of key should point outward. (Figure A)

Continue to kit assembly.

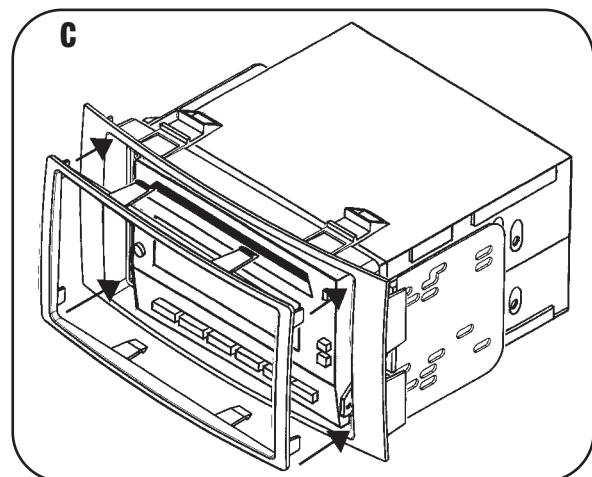
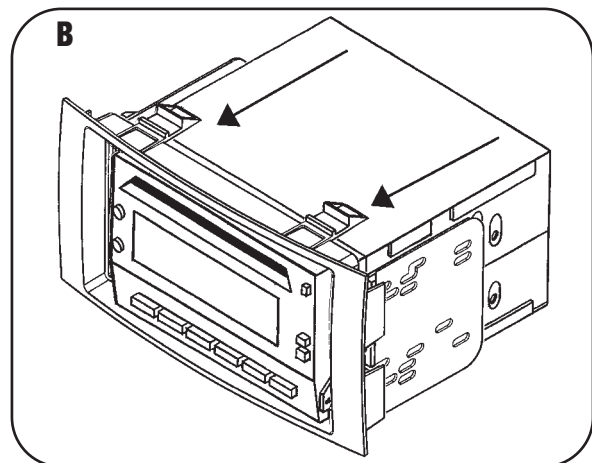
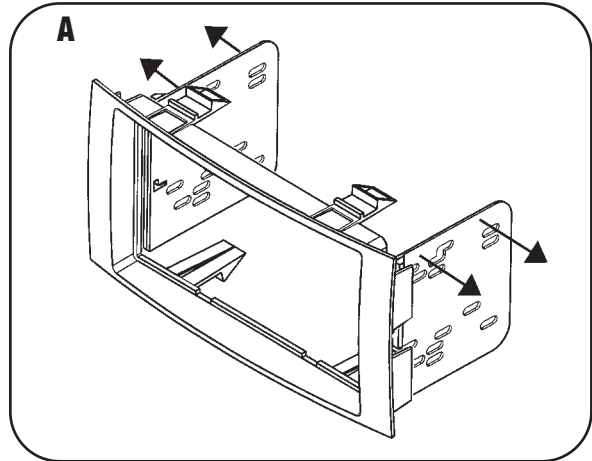


Note: This installation kit is an extremely tight fit and requires force to be “snapped” into the dash opening. Removal of aftermarket radio is even more difficult than installation, so please be sure to fully test the aftermarket radio prior to completeing the kit’s installation.

DOUBLE DIN RADIO PROVISION

- 1 Snap the Double DIN brackets to the inside edge of the radio housing. (Figure A)
- 2 Slide the Double DIN radio into the Double DIN bracket/radio housing assembly and secure the radio to the kit using the screws supplied with the radio. (Figure B)
- 3 Snap the Double DIN trim plate onto the housing/radio assembly. (Figure C)

Continue to final assembly.

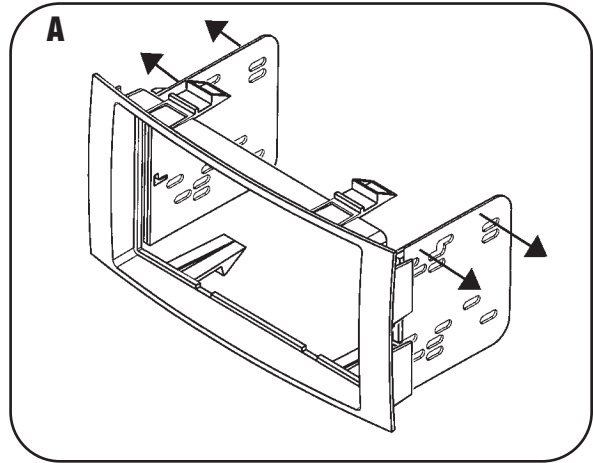


Note: This installation kit is an extremely tight fit and requires force to be “snapped” into the dash opening. Removal of after-market radio is even more difficult than installation, so please be sure to fully test the after-market radio prior to completing the kit’s installation.

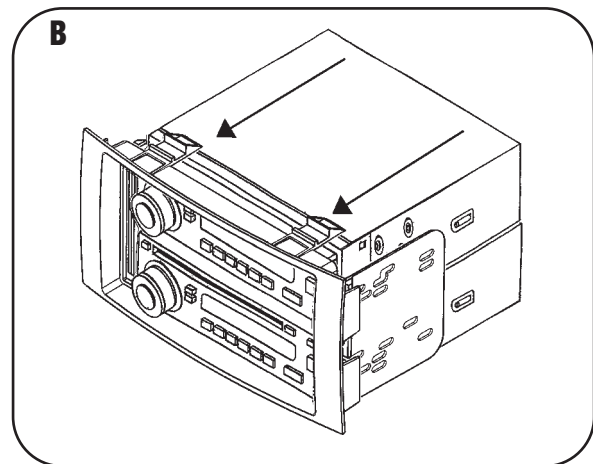


STACKED ISO UNIT PROVISION

- 1 Snap the Double DIN brackets to the inside edge of the radio housing. (Figure A)
- 2 Slide the stacked ISO DIN units into the Double DIN bracket/radio housing assembly and secure the units to the kit using the screws supplied with the units. (Figure B)



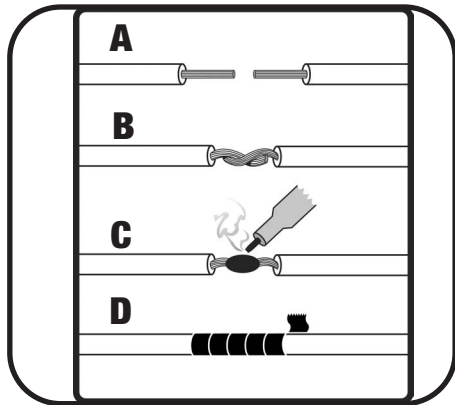
Continue to final assembly.



Note: This installation kit is an extremely tight fit and requires force to be “snapped” into the dash opening. Removal of aftermarket radio is even more difficult than installation, so please be sure to fully test the aftermarket radio prior to completing the kit’s installation.

Note: This installation kit is an extremely tight fit and requires force to be "snapped" into the dash opening. Removal of aftermarket radio is even more difficult than installation, so please be sure to fully test the aftermarket radio prior to completing the kit's installation.

FINAL ASSEMBLY



- A) Strip wire ends back 1/2"**
- B) Twist ends together**
- C) Solder**
- D) Tape**

- 1** Locate the factory wiring harness in the dash. Metra recommends using the proper mating adapter and making connections as shown. (Isolate and individually tape off the ends of any unused wires to prevent electrical short circuit.)
- 2** Re-connect the negative battery terminal and test the unit for proper operation.
- 3** Snap radio housing assembly into factory radio opening.

FINAL WIRING CONNECTIONS

Make wiring connections using the EIA color code chart shown below and the instructions included with the head unit. Metra recommends making connections as shown below; Strip, Splice, Solder, Tape. Isolate and individually tape off ends of any unused wires to prevent electrical short circuit.

METRA / EIA WIRING CODE

12V Ignition / Acc . . . Red	Right Front (+) Gray
12V Batt / Memory . . Yellow	Right Front (-) Gray/ Black
Ground Black*	Left Front (+) White
Power Antenna Blue	Left Front (-) White / Black
Amp Turn-On Blue / White	Right Rear (+) Violet
Amp Ground Black / White	Right Rear (-) Violet / Black
Illumination. Orange	Left Rear (+) Green
Dimmer Orange / White	Left Rear (-) Green / Black

***NOTE:** When a Black wire is not present, ground radio to vehicle chassis.
All colors may not be present on all leads due to manufacturer's specifications.

95-9009 INSTRUCTIONS



1-800-221-0932



www.metraonline.com

REV. 04/27/10 © COPYRIGHT 2004-2010 METRA ELECTRONICS CORPORATION INST95-9009