



Subaru Legacy/Outback (all except 2.5i) 2018-2019

*Visit MetraOnline.com for up-to-date vehicle specific applications.

KIT FEATURES

- ISO DDIN radio provision
- Painted black with silver trim

KIT COMPONENTS

- A) Radio trim panel • B) Radio brackets • C) (4) Panel clips

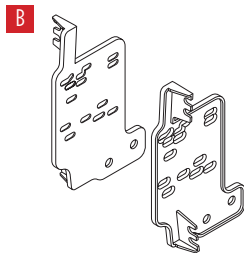
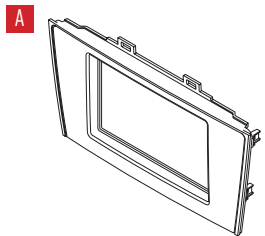


TABLE OF CONTENTS

Dash Disassembly	2
Kit Preparation	3
Kit Assembly	3

WIRING & ANTENNA CONNECTIONS (sold separately)

Wiring Harness: 70-1761 (non-amplified models)

Antenna Adapter: 40-LX11

Steering wheel control interface: Please visit axessinterfaces.com for more information

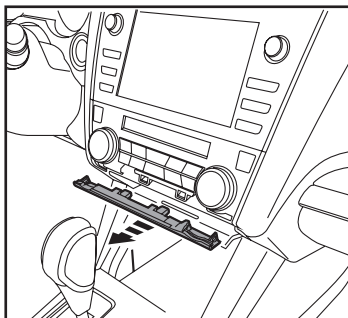
TOOLS REQUIRED

- Panel removal tool • Phillips screwdriver

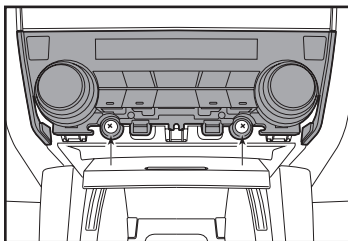
Attention! Let the vehicle sit with the key out of the ignition for a few minutes before removing the factory radio. When testing the aftermarket equipment, ensure that all factory equipment is connected before cycling the key to ignition.

DASH DISASSEMBLY

1. Unclip and remove the trim below the climate control panel. (Figure A)
2. Remove (2) Phillips screw securing the climate control panel, then unclip, unplug, and remove the panel. (Figure B)



(Figure A)



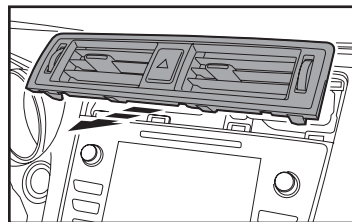
(Figure B)

3. Unclip and remove the a/c vent panel. (Figure C)

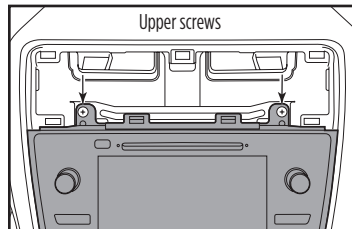
Tip! Start from the bottom of the panel and release the bottom (2) clips first.

4. Remove (4) Phillips screws securing the radio, then unclip, unplug and remove the radio. (Figure D, E)

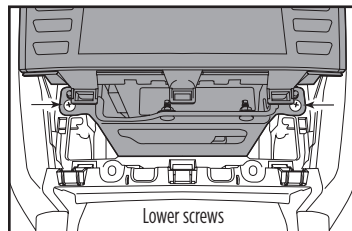
Continue to Kit Preparation



(Figure C)



(Figure D)

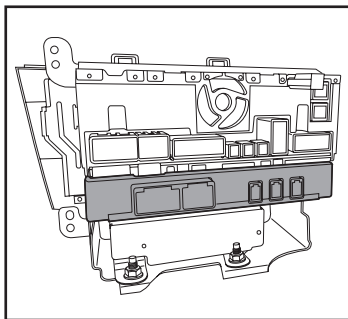


(Figure E)

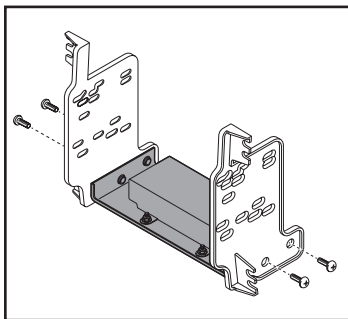
KIT PREPARATION

1. Slightly loosen (4) screws securing the radio. (Figure A)
2. If the vehicle is equipped with Starlink, remove (4) screws securing the Starlink module (shaded part in figure A) located directly below the radio. The module must be relocated lower in the dash cavity to retain functionality with the front speakers. (Figure A)
3. Remove (4) screws securing the lower module, then remove the module. (Figure A)
4. Secure the module to the *radio brackets* using the factory screws. (Figure B)

Continue to Kit Assembly



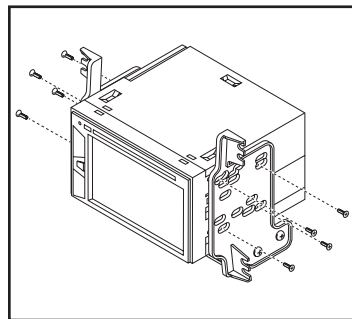
(Figure A)



(Figure B)

KIT ASSEMBLY

1. Secure the *radio brackets* to the radio using the screws supplied with the radio. (Figure A)
2. Locate the factory wiring harness and antenna connector in the dash and complete all necessary connections to the radio. Metra recommends using the proper mating adapter from Metra and/or Axxess. Test the radio for proper operation.
3. Secure the radio assembly to the dash using the factory screws.
4. Attach the (4) *panel clips* provided on the *radio trim panel*, then snap the panel over the radio assembly.
5. Reassemble the dash in reverse order of disassembly to complete the installation.



(Figure A)



95-8909
INSTALLATION INSTRUCTIONS



If you are having difficulties with the installation of this product, contact our Tech Support line either by phone at **386-257-1187**, or email at **techsupport@metra-autosound.com**. Before doing so, look over the instruction booklet a second time and ensure that the installation was performed exactly as the instruction booklet is stated. Have the vehicle apart and ready to perform troubleshooting steps before contacting Metra/Axxess Tech Support.



KNOWLEDGE IS POWER

Enhance your installation and fabrication skills by enrolling in the most recognized and respected mobile electronics school in our industry. Log onto www.installerinstitute.com or call 800-354-6782 for more information and take steps toward a better tomorrow.



**Metra recommends MECP
certified technicians**