



Installation instructions for part 95-8262HG

Toyota Corolla 2017-up 95-8262HG

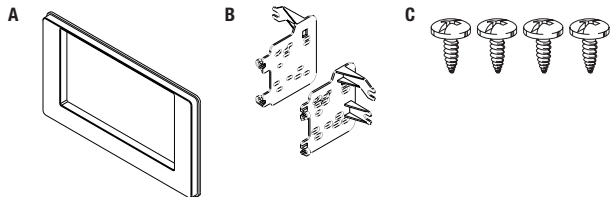
KIT FEATURES

- ISO DDIN radio provision
- *Painted high gloss black*



KIT COMPONENTS

- A) Radio trim panel • B) Radio brackets • C) (4) #8 x 3/8" Phillips screws



WIRING & ANTENNA CONNECTIONS (sold separately)

Wiring Harness: • 70-1761

Antenna Adapter: • 40-LX11

Steering wheel control interface: • ASWC-1

Table of Contents

Dash Disassembly 2

Kit Assembly

– ISO DDIN radio provision 3

TOOLS REQUIRED

- Panel removal tool • Phillips screwdriver
- 10mm socket wrench

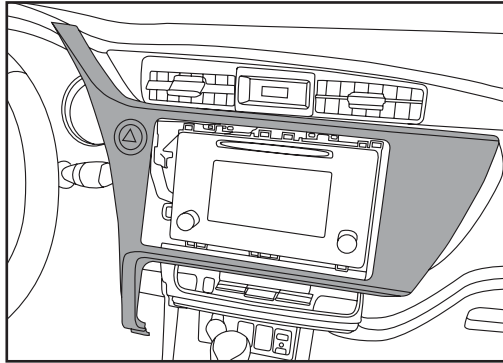
CAUTION! All accessories, switches, climate controls panels, and especially air bag indicator lights must be connected before cycling the ignition. Also, do not remove the factory radio with the key in the on position, or while the vehicle is running.

REV. 2/9/2017 INST95-8262HG

Dash Disassembly

1. Unclip the radio trim panel, and then with the key in the off position, unplug the hazard button and passenger airbag light. (Figure A)
2. Remove the (4) 10mm bolts securing the radio, and then unplug and remove.

Continue to Kit Assembly

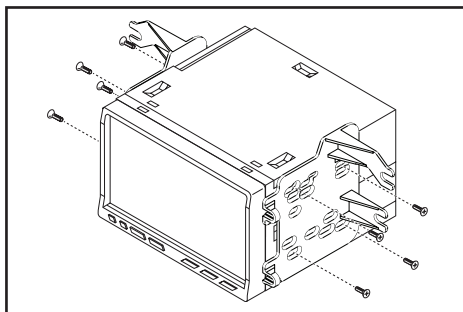


(Figure A)

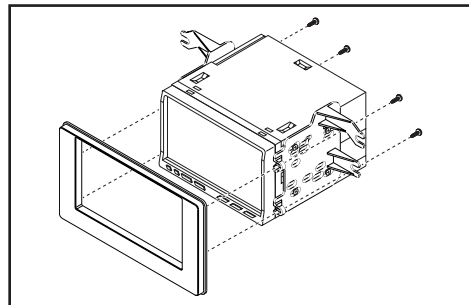
Kit Assembly

ISO DDIN radio provision

1. Attach the *radio brackets* to the radio using the screws supplied with the radio. (Figure A)
2. Attach the radio/bracket assembly to the back of the *radio trim panel* using the (4) #8 x 3/8" screws provided. (Figure B)
3. Locate the factory wiring harness and antenna connector in the dash and complete all necessary connections to the radio. Metra recommends using the proper mating adapter from Metra and/or Axxess.



(Figure A)



(Figure B)

Caution! Be sure to plug in the passenger airbag light before proceeding.

4. Turn the key on and test the radio for proper operation.
5. Secure the completed assembly into the dash using the factory hardware.
6. Reassemble the dash in the reverse order of disassembly.



Installation instructions for part 95-8262HG



IMPORTANT

If you are having difficulties with the installation of this product, please call our Tech Support line at **1-800-253-TECH**. Before doing so, look over the instructions a second time, and make sure the installation was performed exactly as the instructions are stated. Please have the vehicle apart and ready to perform troubleshooting steps before calling.



KNOWLEDGE IS POWER

Enhance your installation and fabrication skills by enrolling in the most recognized and respected mobile electronics school in our industry. Log onto www.installerinstitute.com or call 800-354-6782 for more information and take steps toward a better tomorrow.



**Metra recommends MECP
certified technicians**

REV. 2/9/2017 INST95-8262HG