



INSTALLATION INSTRUCTIONS FOR PART 95-7895

APPLICATIONS

Honda Accord 1998 - 2002

95-7895

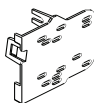
KIT FEATURES

- DDIN Head Unit Provision
- ISO Stacked Head Unit Provision

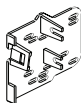


KIT COMPONENTS

- A) Double DIN Brackets B) Double DIN Trim Plate



A



B

WIRING AND ANTENNA CONNECTIONS (Sold Separately)

Harness:

- 70-1721 - Honda Harness 1998-up

TOOLS REQUIRED:

- Small Flat Blade Screwdriver
- Panel Removal Tool
- Phillips Screwdriver



1-800-221-0932



www.metraonline.com

© COPYRIGHT 2007-2009

METRA ELECTRONICS CORPORATION

TABLE OF CONTENTS

Dash Disassembly

- Honda Accord 1998 - 2002.....1

Kit Assembly

- DDIN / Stacked ISO DIN Head Unit Provisions2

***Note:**

Refer also to the instructions included with the aftermarket radio.



KNOWLEDGE IS POWER

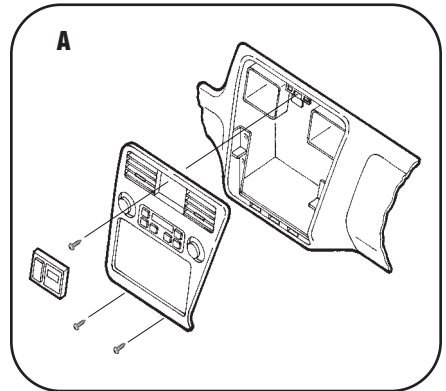
Enhance your installation and fabrication skills by enrolling in the most recognized and respected mobile electronics school in our industry. Log onto www.installerinstitute.com or call 800-354-6782 for more information and take steps toward a better tomorrow.



Metra recommends MECP certified technicians.

HONDA ACCORD 1998 - 2002

- 1** Disconnect the negative battery terminal to prevent an accidental short circuit.
- 2** Unsnap the clock panel, disconnect the wiring and remove. (Figure A)
- 3** Remove (1) Phillips screw exposed in the clock cavity. (Figure A)
- 4** Remove (2) Phillips screws below the factory head unit. (Figure A)
- 5** Unclip the radio trim bezel and disconnect the wiring.
- 6** Remove (4) Phillips screws securing the factory head unit assembly and disconnect the wiring.

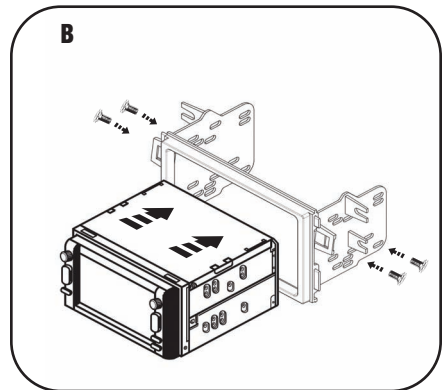
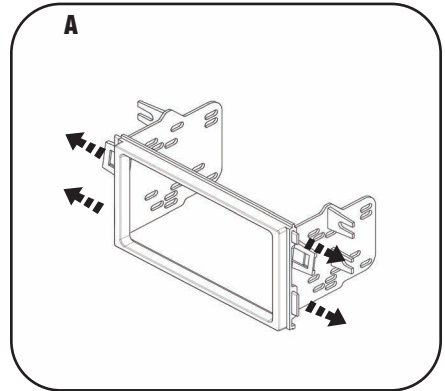


Continue to kit assembly.

DOUBLE DIN / STACKED ISO DIN HEAD UNIT PROVISIONS

**Note: Refer also to the instructions included with the aftermarket radio.*

- 1 Locate the factory wiring harness in the dash. Metra recommends using the proper mating adapter from Metra or AXXESS. Re-connect the negative battery terminal and test the unit for proper operation.
- 2 Attach the Double DIN brackets to the edge of the Double DIN trim plate. (Figure A)
- 3 Slide the Double DIN head unit or stacked ISO head units into the bracket/trim plate assembly and secure the Double DIN head unit or stacked ISO head units to the assembly using the screws supplied with the radio. (Figure B)
- 4 Reassemble dash in reverse order of disassembly.



95-7895 INSTRUCTIONS



1-800-221-0932



www.metraonline.com

REV. 11/09/09 © COPYRIGHT 2003-2009 METRA ELECTRONICS CORPORATION INST95-7895