



Installation instructions for part 95-7870

Honda Ridgeline 2005-2014 95-7870

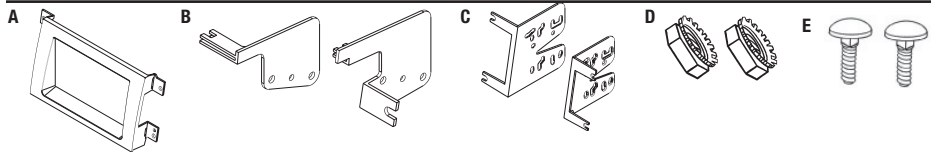
KIT FEATURES

- Double DIN radio provision



KIT COMPONENTS

- A) Radio housing
- B) Radio housing brackets (to hold factory pocket below radio)
- C) Radio brackets
- D) Keps nuts
- E) Carriage bolts



WIRING & ANTENNA CONNECTIONS (sold separately)

Wiring Harness: • 70-1721 1998-2008 • 70-1729 2009-2014

Antenna Adapter: • 40-HD10

TOOLS REQUIRED

- Small flat blade screwdriver
- Phillips screwdriver

Table of Contents

Dash Disassembly

– Honda Ridgeline 2005-2014..... 2

Kit Preparation..... 2

Kit Assembly

– DDIN radio provision 3

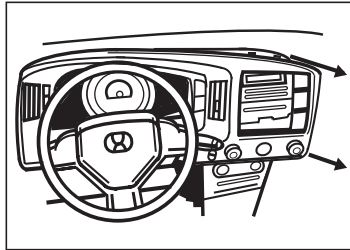
CAUTION: Metra recommends disconnecting the negative battery terminal before beginning any installation. All accessories, switches, and especially air bag indicator lights must be plugged in before reconnecting the battery or cycling the ignition.

NOTE: Refer to the instructions included with the aftermarket radio.

REV. 2/12/2015 INST95-7870

Dash Disassembly

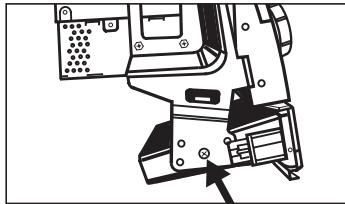
1. Unclip and remove entire panel surrounding radio and a/c control all the way over to left side of steering wheel. (Figure A)
2. Remove (5) Phillips screws securing the radio and pocket assembly. (Figure B)
3. Remove (2) Phillips screws (1 per side) securing factory pocket to radio/pocket bracket assembly. (Figure C, D)



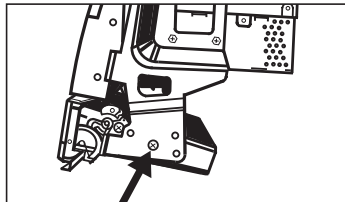
(Figure A)



(Figure B)



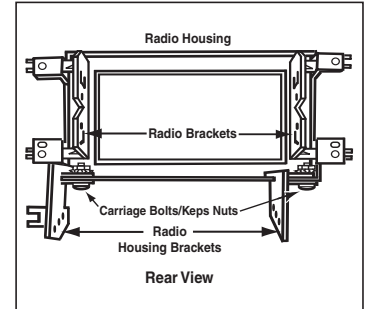
(Figure C)



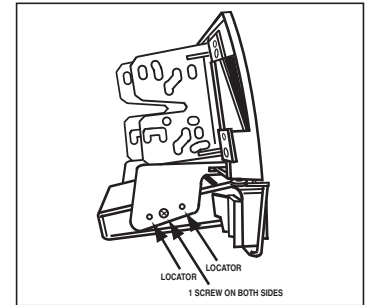
(Figure D)

Kit Preparation

1. Attach the radio housing brackets to the radio housing using the included carriage bolts and Keps nuts. (Figure A)
2. Position the factory pocket into the assembled radio housing assembly and secure with the factory hardware. (Figure B)



(Figure A)

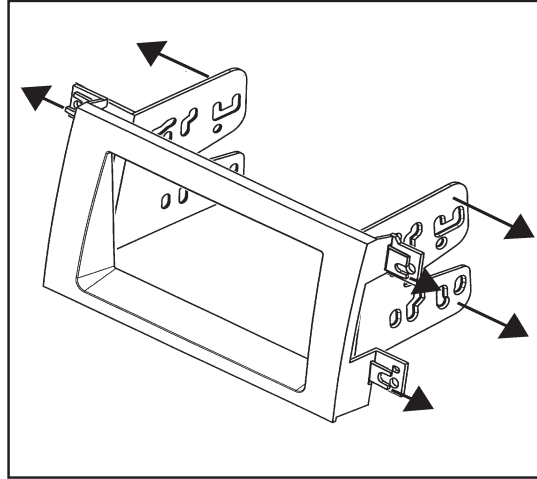


(Figure B)

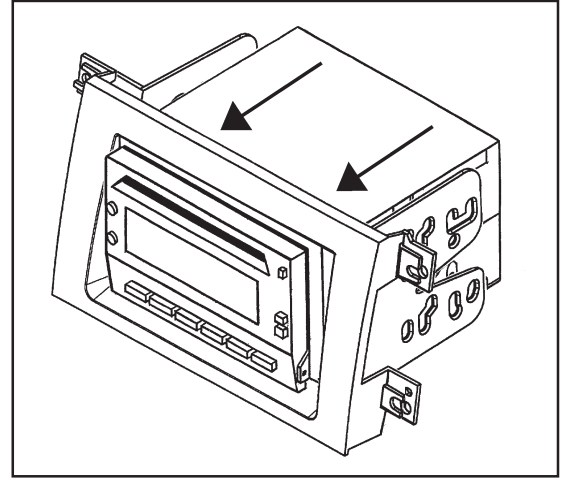
Kit Assembly

Double DIN radio provision

1. Slide the radio brackets into the radio housing, aligning the slots in the radio housing with the clips on the radio brackets. (Figure A)
2. Slide the radio into the completed assembly and secure it using screws supplied with the radio. (Figure B)
3. Locate the factory wiring harness and antenna plug in the dash. Metra recommends using the proper mating adapters from Metra and/or AXCESS.
4. Mount the new radio assembly into the dash and reassemble the dash in reverse order of disassembly.



(Figure A)



(Figure B)



Installation instructions for part 95-7870



REV. 2/12/2015 INST95-7870



KNOWLEDGE IS POWER

Enhance your installation and fabrication skills by enrolling in the most recognized and respected mobile electronics school in our industry. Log onto www.installerinstitute.com or call 800-354-6782 for more information and take steps toward a better tomorrow.



**Metra recommends MECP
certified technicians**