



INSTALLATION INSTRUCTIONS FOR PART 95-7321

APPLICATIONS

Hyundai Accent 2006-2011

Kia Rio/RIO 5 2006-up

Kia Sportage 2005-2010

95-7321

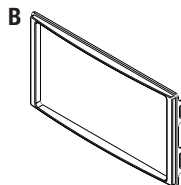
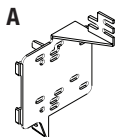
KIT FEATURES

- DDIN head unit provision
- ISO stacked head unit provision



KIT COMPONENTS

- A) DDIN radio housing
- B) DDIN radio housing brackets



WIRING & ANTENNA CONNECTIONS (Sold Separately)

Wiring Harness: • 70-7303 Hyundai/Kia Harness 2009

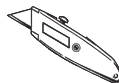
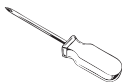
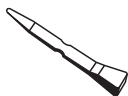
• 70-1004 Hyundai 2006-up/KIA harness 2004-up

Antenna Adapter: • 40-KI11 KIA antenna adapter 2007-up

• 40-KI10 KIA antenna adapter 2007-up

TOOLS REQUIRED

Panel Removal Tool • Phillips Screwdriver • Small Flat Blade Screwdriver • Cutting Tool



METRA. THE WORLD'S BEST KITS.™



1-800-221-0932



metraonline.com

© COPYRIGHT 2004-2011 METRA ELECTRONICS CORPORATION



95-7321

Table of Contents

Dash Disassembly

- Hyundai Accent 2006-2011
- Kia Rio/RIO 5 2006-up3
- Kia Sportage 2005-20104

Kit Preparation5

Kit Assembly

- DDIN/stacked ISO DIN head unit provision6

Caution

Metra recommends disconnecting the negative battery terminal before beginning any installation. All accessories, switches, and especially air bag indicator lights must be plugged in before reconnecting the battery or cycling the ignition.

****NOTE: Refer also to the instructions included with the aftermarket radio.***



KNOWLEDGE IS POWER

Enhance your installation and fabrication skills by enrolling in the most recognized and respected mobile electronics school in our industry. Log onto www.installerinstitute.com or call 800-354-6782 for more information and take steps toward a better tomorrow.

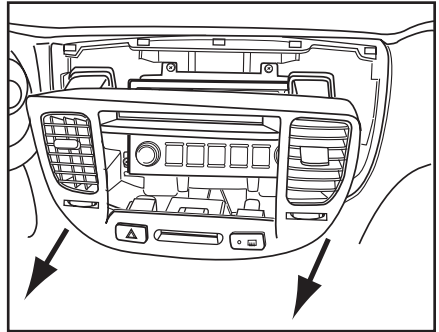


Metra recommends MECP certified technicians

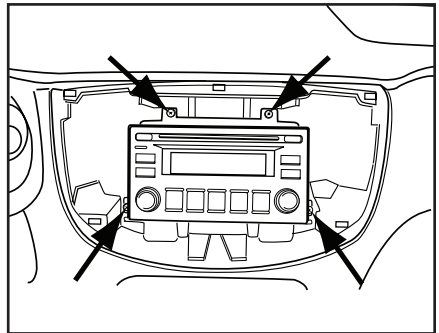
Hyundai Accent 2006-2011 Kia Rio/RIO 5 2006-up

1. Unclip and remove the trim panel surrounding the radio and including the a/c vents. (Figure A)
2. Remove (4) Phillips screws securing the radio. (Figure B)

Continue to kit preparation



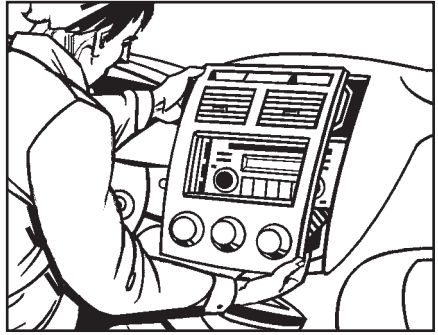
(Figure A)



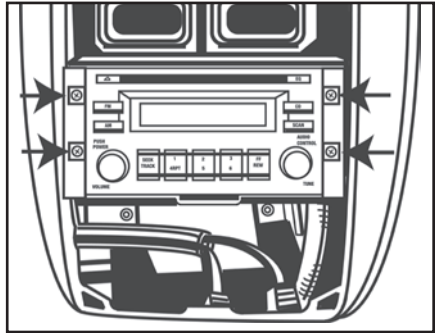
(Figure B)

Kia Sportage 2005-2010

1. Unclip and remove the entire panel surrounding the radio and including the A/C controls. **Note: Start at bottom of panel.** (Figure A)
2. Remove (4) Phillips screws to extract radio from dash. (Figure B)
Continue to kit preparation



(Figure A)

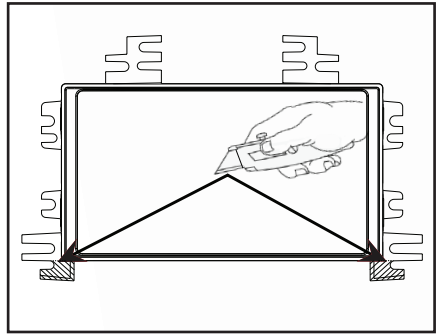


(Figure B)

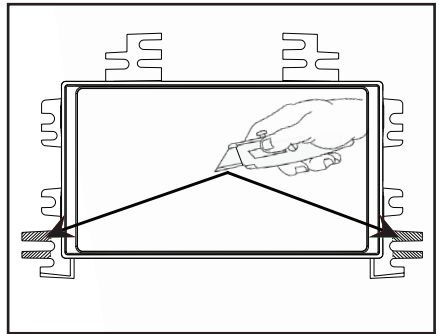
Kit Preparation

1. Hyundai Accent: Cut and remove shaded areas. (Figure A)
2. Kia Rio: Cut and remove shaded areas. (Figure B)
3. Kia Sportage: Cut and remove shaded areas. (Figure C)

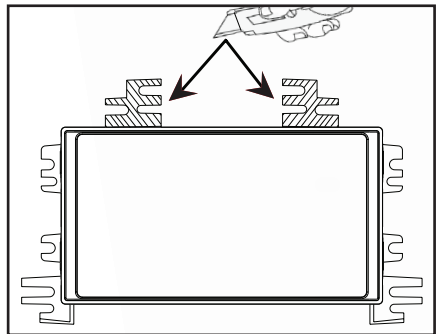
Continue to kit assembly



(Figure A)



(Figure B)



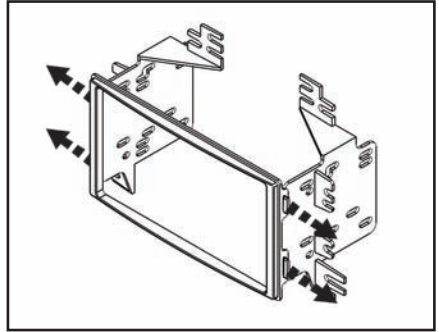
(Figure C)



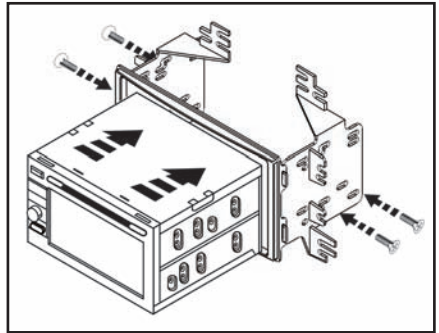
Kit Assembly 95-7321

Double DIN/stacked ISO DIN head unit provision

1. Locate the factory wiring harness in the dash. Metra recommends using the proper mating adapter from Metra or AXCESS. Re-connect the negative battery terminal and test the unit for proper operation.
2. Attach the Double DIN brackets to the inside edge of the Double DIN trim plate. (Figure A)
3. Slide the Double DIN head unit or stacked ISO head units into the bracket/ radio housing assembly and secure the Double DIN head unit or stacked ISO head units to the assembly using the screws supplied with the radio. (Figure B)
4. Reassemble dash in reverse order of disassembly.



(Figure A)



(Figure B)



INSTALLATION INSTRUCTIONS FOR PART 95-7321

REV. 5/17/11

METRA. THE WORLD'S BEST KITS.™



1-800-221-0932



metraonline.com

© COPYRIGHT 2004-2011 METRA ELECTRONICS CORPORATION