



INSTALLATION INSTRUCTIONS FOR PART 95-6539

Chrysler Voyager, Town and Country / Dodge Caravan, Grand Caravan 2001-2007 95-6539

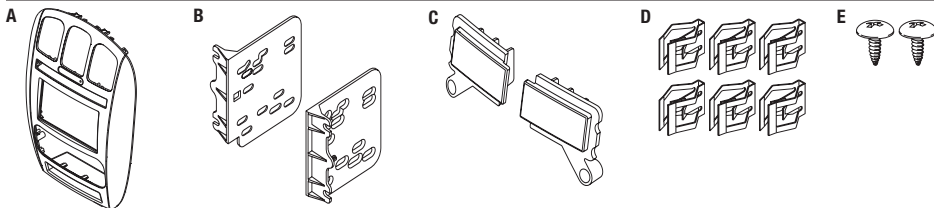


KIT FEATURES

- ISO DDIN radio provision

KIT COMPONENTS

- A) Radio trim panel • B) Radio brackets • C) (2) Blank out plugs • D) (6) Panel clips
- E) (2) #8 x 3/8" Phillips screws • Passenger airbag sticker (not shown) • Blank sticker (not shown)



WIRING & ANTENNA CONNECTIONS (sold separately)

Wiring Harness: • 70-1817 (01' only) 70-6502 (02-07' models)

Antenna Adapter: • 40-CR10 (02-07' models only) Steering wheel control interface: • ASWC-1

Table of Contents

Dash Disassembly	2
Kit Preparation	2-3
Kit Assembly	4

TOOLS REQUIRED

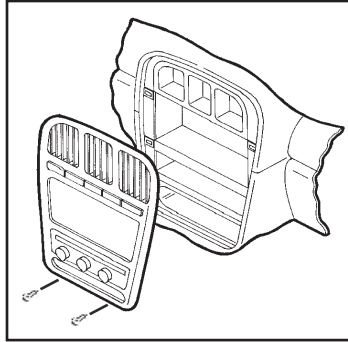
- Panel removal tool • Phillips screwdriver
- Torx T-10 screwdriver

CAUTION! All accessories, switches, climate controls panels, and especially air bag indicator lights must be connected before cycling the ignition. Also, do not remove the factory radio with the key in the on position, or while the vehicle is running.

Dash Disassembly

1. Open cup holder. Unclip and remove trim above cup holder.
2. Remove (2) Phillips head screws from above cup holder. (Figure A)
3. Unclip and remove the dash trim panel.
4. Remove (4) Phillips head screws securing the radio. Disconnect and remove the radio.

Continue to Kit Preparation



(Figure A)

Kit Preparation

From the factory radio/climate control panel:

1. Remove (3) T-10 Torx screws securing the vents into the factory radio trim panel, then unclip and remove the vents from the panel.
2. Remove (3) T-10 Torx screws securing the hazard button assembly into the factory radio trim panel, remove the switch assembly.

Note: If the vehicle has the passenger airbag light in the factory radio panel, it will be loose at this time, so remove it. If the passenger airbag light is not present or it is in the hazard switch assembly, continue to the next step.

3. Remove (6) T-10 Torx screws securing the climate controls into the factory radio trim panel, and then remove.

Continued on the next page

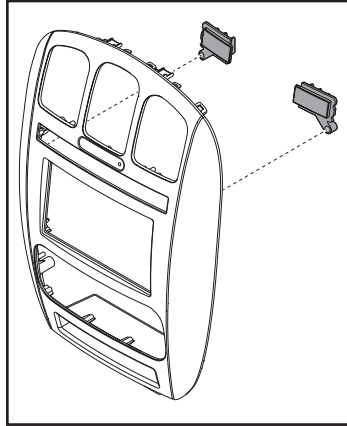
Please visit Metraonline.com for Kit Preparation illustrations.

Kit Preparation

Sticker notes:

If the vehicle has a passenger airbag light in the factory radio trim panel above the switches, place the *passenger airbag sticker* over the hole for the airbag light above the hazard switch on the *95-6539 radio trim panel*.

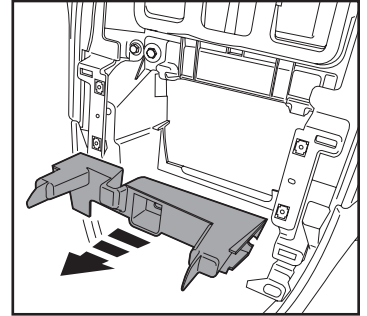
If the vehicle has a passenger airbag light above the hazard switch assembly, snap the *blank out plugs* into the opening on either side of the switch assembly, and then secure using the (2) #8 x 3/8" Phillips screws provided. And then place the *blank sticker* over the airbag light hole above the hazard switch on the *95-6539 radio trim panel*. (Figure A)



(Figure A)

To the 95-6539 radio trim panel:

1. Attach the passenger airbag light from the factory radio panel, into the back of the *95-6539 radio trim panel*.
2. Attach the climate controls into the *95-6539 radio trim panel* using the factory hardware.
3. Attach the vents into the *95-6539 radio trim panel* and secure with the factory screws.
4. Attach the hazard switch assembly into the *95-6539 radio trim panel* and secure with the factory hardware (this will also secure the passenger airbag light noted in step 2).
5. Attach the (6) panel clips to the new radio trim panel.
6. Cut and remove shaded area in the sub-dash of the vehicle. (Figure B)



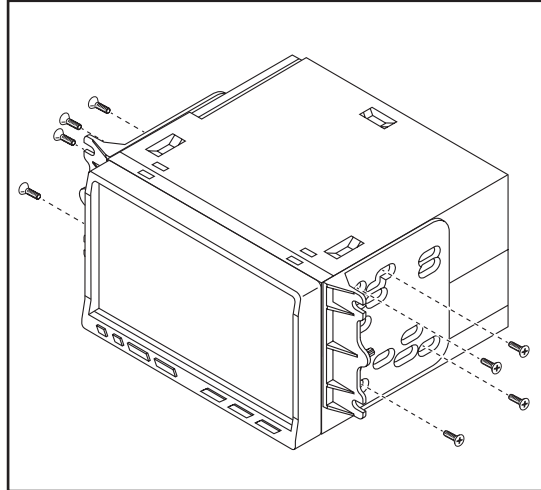
(Figure B)

Continue to Kit Assembly

Kit Assembly

ISO DDIN radio provision

1. Attach the *radio brackets* to the radio using the screws supplied with the radio. (Figure A)
2. Locate the factory wiring harness and antenna connector in the dash and complete all necessary connections to the radio. Metra recommends using the proper mating adapter from Metra and/or Axxess. Test the radio for proper operation.
3. Secure the completed assembly into the dash using the factory screws.
4. Attach the *95-6539 radio trim panel* over the completed assembly, and then reassemble the dash in reverse order of disassembly.



(Figure A)



INSTALLATION INSTRUCTIONS FOR PART 99-8260B



IMPORTANT

If you are having difficulties with the installation of this product, please call our Tech Support line at 1-800-253-TECH. Before doing so, look over the instructions a second time, and make sure the installation was performed exactly as the instructions are stated. Please have the vehicle apart and ready to perform troubleshooting steps before calling.



KNOWLEDGE IS POWER

Enhance your installation and fabrication skills by enrolling in the most recognized and respected mobile electronics school in our industry. Log onto www.installerinstitute.com or call 800-354-6782 for more information and take steps toward a better tomorrow.



Metra recommends MECP certified technicians

REV 1/10/2017 INST95-6539