



Ford/Lincoln 1997-2004

Visit MetraOnline.com for more detailed information about the product and up-to-date vehicle specific applications

KIT FEATURES

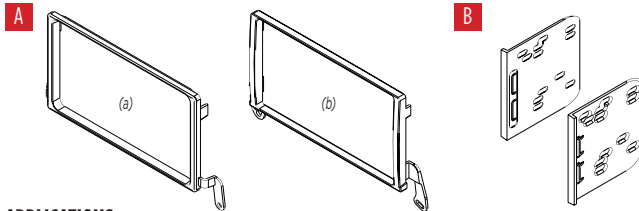
- ISO DDIN radio provision

Attention!

- Major sub dash modifications are necessary to use this dash kit. You will need to trim the sub dash to gain suitable depth and height.

KIT COMPONENTS

- A) ISO DDIN trim plates (qty. 2) • B) ISO DDIN radio brackets



APPLICATIONS

Ford				Lincoln	
Expedition	1997-2002	F-150 Heritage	2004	Blackwood	2002
F-150	1997-2003	F-250	1998	Navigator	1997-2002

TABLE OF CONTENTS

Dash Disassembly	2
Kit Assembly	3

WIRING & ANTENNA CONNECTIONS (sold separately)

- Wiring Harness:
70-1770 • 70-1771 • 70-5519 • 70-5603 • 70-5701
- Antenna Adapter:
• Not required

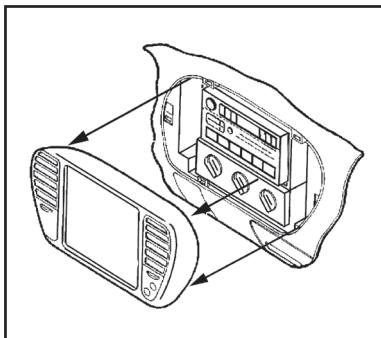
TOOLS REQUIRED

- Dremel or cutting tool
- Panel removal tool
- 9/32" socket wrench
- Metra 86-5618 radio removal keys

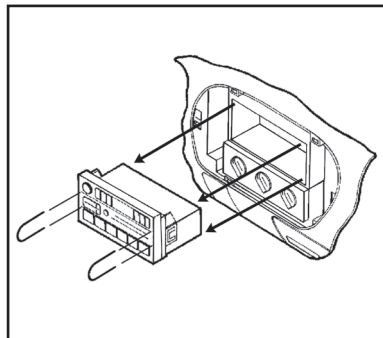
Attention! With the key out of the ignition, disconnect the negative battery terminal before installing this product. Ensure that all installation connections are secure before cycling the ignition to test this product.

DASH DISASSEMBLY

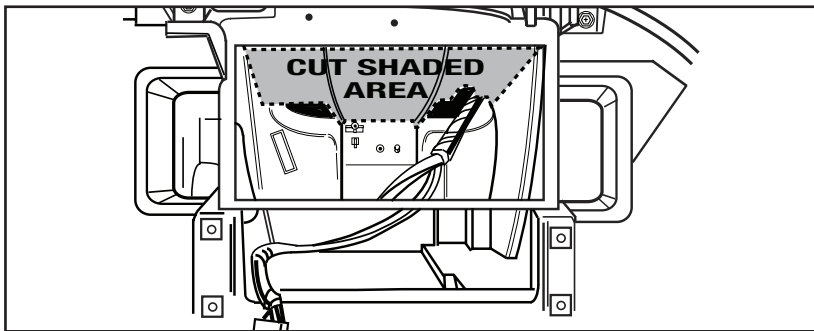
1. Unclip and remove the panel surrounding the radio. (Figure A)
2. Using the Metra 86-5618 radio removal keys, slide the radio out of the radio cavity. Unplug and remove the radio. (Figure B)
3. Cut and remove shaded area in the dash cavity to allow room for the aftermarket radio. Be careful not to cut into any wiring harnesses or electronic components. (Figure C)



(Figure A)



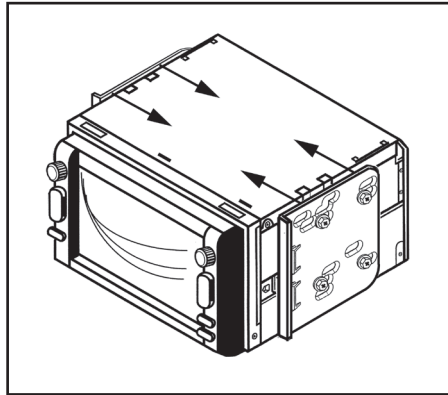
(Figure B)



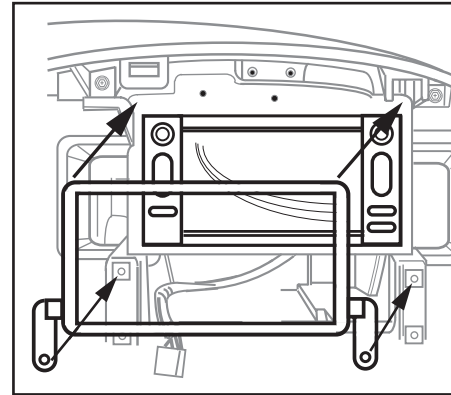
(Figure C)

KIT ASSEMBLY

1. Secure the **ISO DDIN brackets** to the radio using the screws supplied with the radio. (Figure A)
2. Locate the factory wiring harness and antenna connector in the dash. Metra recommends using the proper mating adapter from Metra or AXCESS. Test the radio for proper operation.
3. Slide the radio assembly into the dash until it clicks into place. If any obstructions interfere with the radio, cut as needed to allow the radio to fit and snap in.
4. Remove the (2) upper 9/32" screws securing the climate controls. Attach the appropriate **ISO DDIN trim plate** onto the radio, then secure using the (2) factory climate control screws previously removed. (Figure B)
5. Clip the factory panel back on to complete the assembly.



(Figure A)



(Figure B)



95-5818
INSTALLATION INSTRUCTIONS



Having difficulties? We're here to help.



Contact our Tech Support line at:

386-257-1187



Or via email at:

techsupport@metra-autosound.com

Tech Support Hours (Eastern Standard Time)

Monday - Friday: 9:00 AM - 7:00 PM

Saturday: 10:00 AM - 7:00 PM

Sunday: 10:00 AM - 4:00 PM



KNOWLEDGE IS POWER

Enhance your installation and fabrication skills by enrolling in the most recognized and respected mobile electronics school in our industry. Log onto www.installerinstitute.edu or call 386-672-5771 for more information and take steps toward a better tomorrow.



Metra recommends MECP certified technicians