



INSTALLATION INSTRUCTIONS FOR PART 95-5600

APPLICATIONS

See application list inside

Ford/Mazda/Mercury multi-kit 1995-up 95-5600

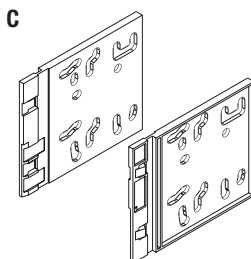
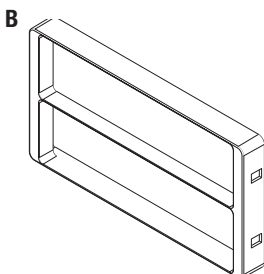
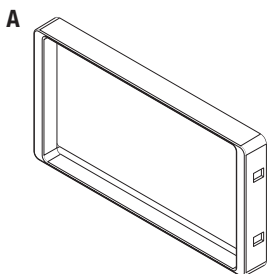
KIT FEATURES

- Double DIN radio provision
- Stacked ISO units provision



KIT COMPONENTS

- A) Double DIN Trim Plate
- B) ISO Stack Trim Plate
- C) ISO Brackets



TOOLS REQUIRED

86-5618 Head Unit Removal Keys • Phillips Screwdriver



METRA. THE WORLD'S BEST KITS.™



1-800-221-0932



metraonline.com

© COPYRIGHT 2004-2011 METRA ELECTRONICS CORPORATION



95-5600

Applications

Ford

Explorer 1995-2001
Explorer Sport Trac 2001-2005
Ranger 1995-up

Mazda

B-Series Pickup 1995-2009

Mercury

Mountaineer 1997-2001

Table of Contents

Dash Disassembly

- Ford Explorer 1995-2001 3
- Ford Explorer Sport Trac 2001-2005 3
- Ford Ranger 1995-up 3
- Mazda B-Series Pickup 1995-2009 3
- Mercury Mountaineer 1997-2001 3

Kit Assembly

- Double DIN radio provision 4
- Stacked ISO mount units provision 5

Caution

Metra recommends disconnecting the negative battery terminal before beginning any installation. All accessories, switches, and especially air bag indicator lights must be plugged in before reconnecting the battery or cycling the ignition.

***NOTE: Refer also to the instructions included with the aftermarket radio.**



KNOWLEDGE IS POWER

Enhance your installation and fabrication skills by enrolling in the most recognized and respected mobile electronics school in our industry. Log onto www.installerinstitute.com or call 800-354-6782 for more information and take steps toward a better tomorrow.



Metra recommends MECP certified technicians

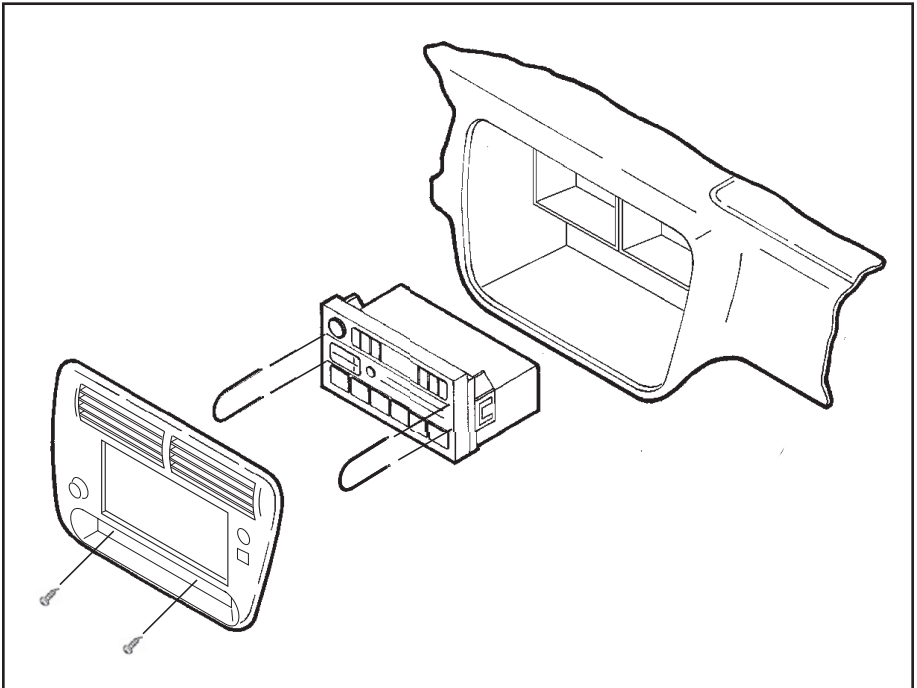


Dash Disassembly 95-5600

All Vehicles

1. Using Metra's 86-5618, pull the factory radio from the dash and disconnect the wiring. Remove (2) Phillips screws above the climate controls. Unclip the radio trim bezel, disconnect the wiring. (Figure A)

Continue to kit assembly



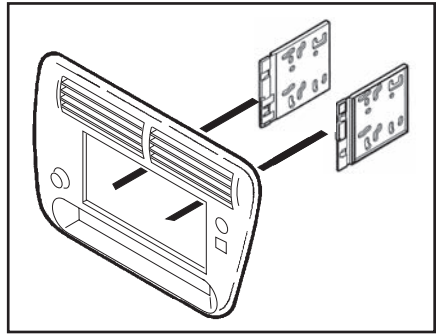
(Figure A)



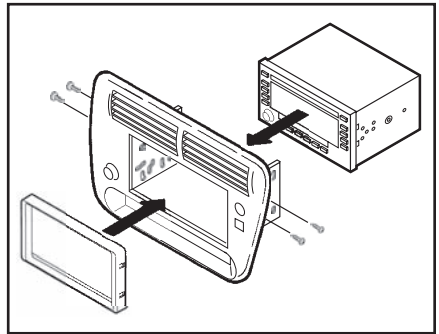
Kit Assembly 95-5600

Double DIN radio provision

1. Locate the factory wiring harness in the dash. Metra recommends using the proper mating adapter from Metra or AXXESS. Re-connect the negative battery terminal and test the unit for proper operation.
2. Latch the ISO brackets onto the lip of the trim bezel radio opening. (Figure A)
3. Slide the aftermarket radio into the trim bezel. Align the holes in the mounted ISO brackets with the holes in the radio and secure with the screws included with the unit. Snap the Double-DIN trimplate over the mounted radio. (Figure. B)
4. Reassemble dash in reverse order of disassembly.



(Figure A)



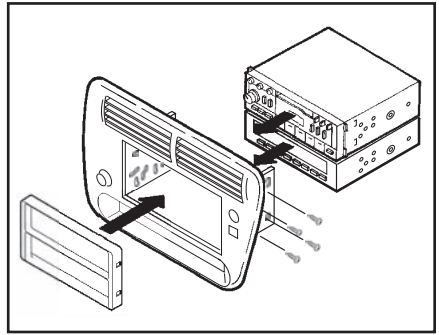
(Figure B)



Dash Disassembly 95-5600

Stacked ISO units provision

1. Locate the factory wiring harness in the dash. Metra recommends using the proper mating adapter from Metra or AXXESS. Re-connect the negative battery terminal and test the unit for proper operation.
2. Slide the aftermarket radio (and digital sound processor, equalizer, etc.) into the trim bezel. Align the holes in the mounted ISO brackets with the holes in the units and secure with the screws included with the units. Snap the ISO stack trimplate to the face of the assembly. (Figure A)
4. Reassemble dash in reverse order of disassembly.



(Figure A)



INSTALLATION INSTRUCTIONS FOR PART 95-5600

REV. 5/25/11

METRA. THE WORLD'S BEST KITS.™



1-800-221-0932



metraonline.com

© COPYRIGHT 2004-2011 METRA ELECTRONICS CORPORATION