



### GM SUV/Truck 2007-2014

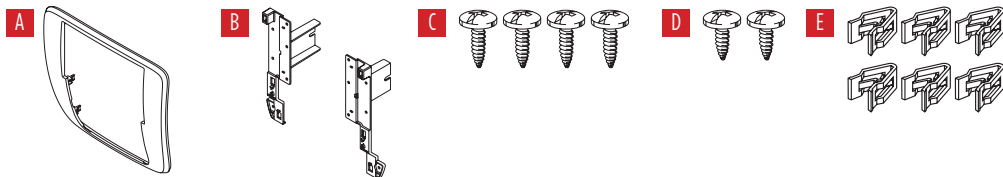
Visit [MetraOnline.com](http://MetraOnline.com) for more detailed information about the product and up-to-date vehicle specific applications

#### KIT FEATURES

- Designed specifically for the Pioneer DMH-C5500NEX 8-inch radio
- Painted matte black

#### KIT COMPONENTS

- A) Radio trim panel • B) Radio brackets • C) #8 x 1/2" Phillips screws (4) • #8 x 3/8" Phillips screws (2) • E) Panel clips (6)



#### APPLICATIONS

Chevrolet		GMC	
Silverado 2500/3500 <sup>(2)</sup> .....	2014	Yukon/YukonXL.....	2007-2014
Avalanche.....	2007-2013	Sierra <sup>(1) (2)</sup> .....	2007-2013
Silverado <sup>(1) (2)</sup> .....	2007-2013	Sierra 2500/3500 <sup>(2)</sup> .....	2014
Suburban.....	2007-2014		
Tahoe.....	2007-2014		

(1) Excluding Classic trim models  
(2) With full center console

#### TABLE OF CONTENTS

Dash Disassembly .....	2
Kit Assembly.....	3

#### WIRING & ANTENNA CONNECTIONS (sold separately)

Wiring Harness: Please visit [metraonline.com](http://metraonline.com) for wiring harness options  
Antenna Adapter: • 40-CR10 • 40-EU10 (w/ nav 12-14)

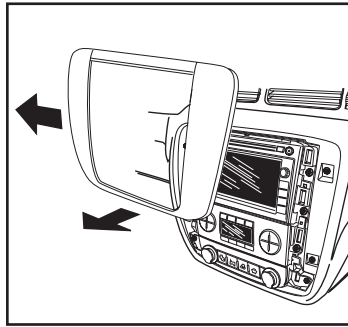
#### TOOLS REQUIRED

- Panel removal tool • Phillips screwdriver
- 9/32" socket wrench

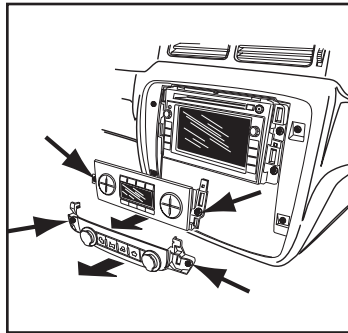
**Attention!** Let the vehicle sit with the key out of the ignition for a few minutes before removing the factory radio. When testing the aftermarket equipment, ensure that all factory equipment is connected before cycling the key to ignition.

## DASH DISASSEMBLY

1. Unclip and remove the radio trim panel. (Figure A)
2. Remove (4) 9/32" screws securing the switch panel and climate controls. Unplug and remove just the switch panel, and set the climate controls to the side. (Figure B)



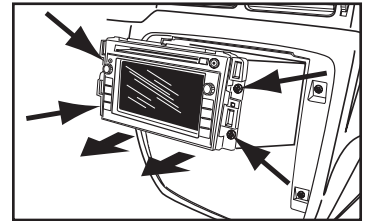
(Figure A)



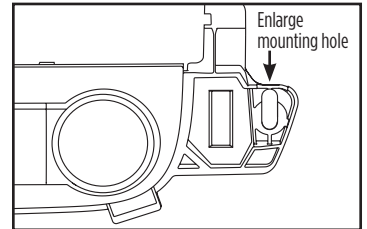
(Figure B)

3. Remove (4) 9/32" screws securing the radio. Slide the radio out, then unplug and remove the radio. (Figure C)
4. Enlarge the mounting holes from the switch panel. Reconnect the panel back to the vehicle, then set to the side. (Figure D)
5. Remove the upper portion of the mounting tab on both sides of the climate control panel. (Figure E)

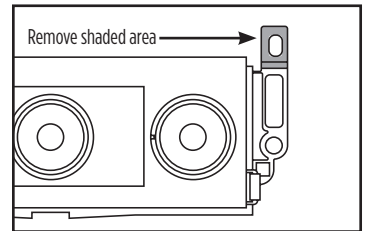
*Continue to Kit Assembly*



(Figure C)



(Figure D)

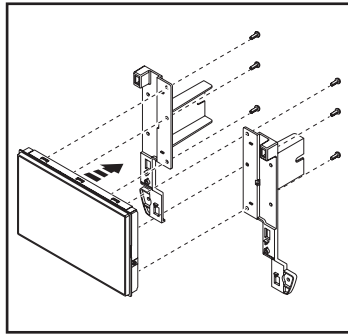


(Figure E)

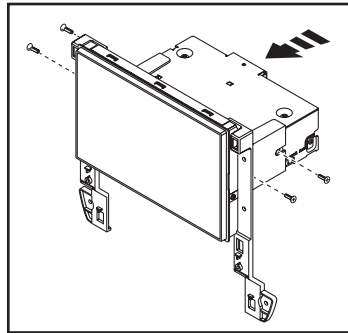
## KIT ASSEMBLY

**Note:** For steps 1 and 2, reference the installation manual provided with the radio for which hardware to use. The display screen and radio chassis use two different types of screws.

1. Secure the radio display to the **radio brackets** using (6) screws supplied with the radio. (Figure A)
2. Secure the **radio brackets** to the radio chassis using (4) screws supplied with the radio. (Figure B)
3. Locate the factory wiring harness and antenna connector in the dash. Metra recommends using the proper mating adapter from Metra or AXCESS. Test the radio for proper operation.

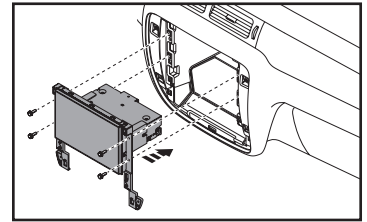


(Figure A)

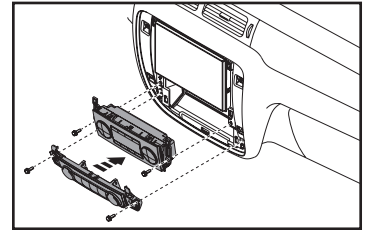


(Figure B)

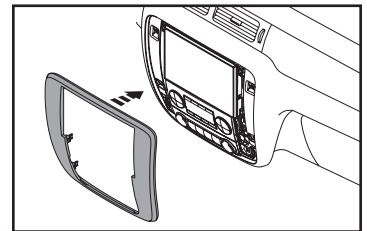
4. Slide the radio assembly into the dash, then secure using the (4) #8 x 1/2" Phillips screws provided. (Figure C)
5. Secure the climate controls to the vehicle using the (2) #8 x 3/8" Phillips screws provided. (Figure D)
6. Secure the switch panel to the vehicle using the factory screws. (Figure D)
7. Attach the (6) **panel clips** provided to the **radio trim panel**.
8. Reassemble the dash in reverse order of disassembly using the 108-GM2B **radio trim panel** to complete the installation (Figure E)



(Figure C)



(Figure D)



(Figure E)



# 108-GM2B

INSTALLATION INSTRUCTIONS



If you are having difficulties with the installation of this product, contact our Tech Support line either by phone at **386-257-1187**, or email at **techsupport@metra-autosound.com**. Before doing so, look over the instruction booklet a second time and ensure that the installation was performed exactly as the instruction booklet is stated. Have the vehicle apart and ready to perform troubleshooting steps before contacting Metra/Axxess Tech Support.



### KNOWLEDGE IS POWER

Enhance your installation and fabrication skills by enrolling in the most recognized and respected mobile electronics school in our industry. Log onto [www.installerinstitute.com](http://www.installerinstitute.com) or call 800-354-6782 for more information and take steps toward a better tomorrow.



Metra recommends MECP certified technicians