



### Ford F-150 (with 4.2" screen) 2013-2014

Visit [MetraOnline.com](http://MetraOnline.com) for more detailed information about the product and up-to-date vehicle specific applications

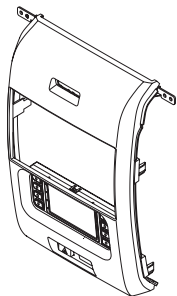
#### KIT FEATURES

- Designed specifically for the Pioneer DMH-C5500NEX 8-inch radio
- Included interface for climate and steering wheel functions
- Touchscreen display for climate, audio interfacing, and personalization features
- Integrated hazard button and passenger airbag light
- Painted scratch resistant matte black

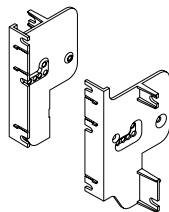
#### KIT COMPONENTS

- A) Radio trim panel with touchscreen display • B) Radio brackets (a) • C) (4) Panel clips • D) Antenna adapter (not shown)

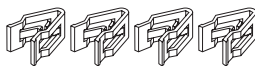
A



B



C



#### TABLE OF CONTENTS

Dash Disassembly .....	2
Kit Preparation .....	3
Kit Assembly .....	3
Axxess Interface Installation.....	4-11
Final Assembly.....	7

#### WIRING & ANTENNA CONNECTIONS

- Wiring Harness: Axxess interface built into touchscreen  
Antenna Adapter: Included with kit  
Steering wheel control interface: Included with kit

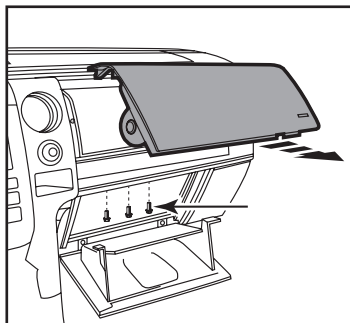
#### TOOLS REQUIRED

- Panel removal tool • Phillips screwdriver
- 10mm and 7mm socket wrench

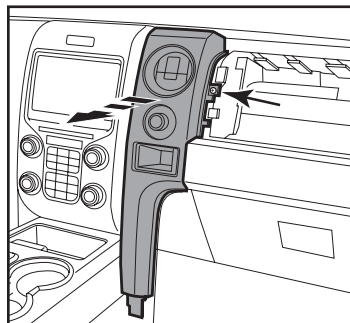
**Attention!** Let the vehicle sit with the key out of the ignition for a few minutes before removing the factory radio. When testing the aftermarket equipment, ensure that all factory equipment is connected before cycling the key to ignition.

## DASH DISASSEMBLY

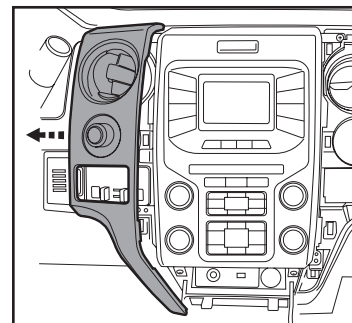
1. Open and lower the glove box, then remove (3) 10mm bolts facing up from inside the glove box opening. (Figure A)
2. Remove (1) 7mm screw securing the trim panel to the right of the radio, then unclip and set to the side. (Figure B)
3. Unclip the trim panel to the left of the radio and slightly move aside to access the radio/climate panel top left screw. (Figure C)
4. Open the compartment below the climate controls.
5. Remove (4) 9/32" screws securing the radio/climate control panel to the dash, then unclip, unplug, and remove. (Figure D)
6. Remove (4) 7mm screws securing the radio chassis. Slide the chassis out, then unplug and remove. (Figure E)
7. Remove (4) 7mm screws securing the radio display, then unplug and remove. (Figure E)



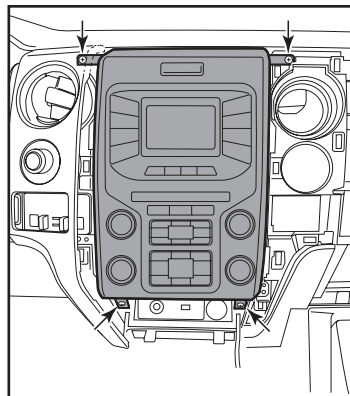
(Figure A)



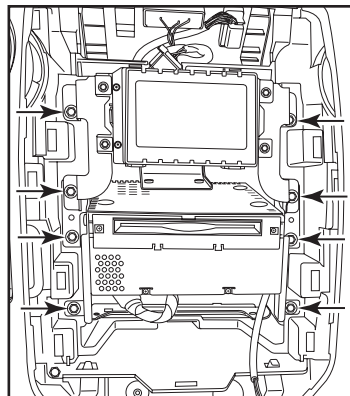
(Figure B)



(Figure C)



(Figure D)



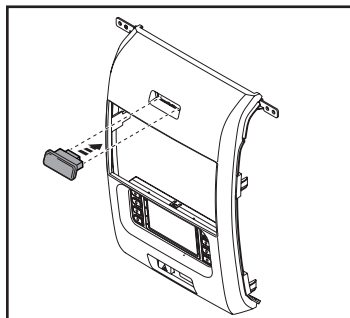
(Figure E)

Continue to Kit Preparation

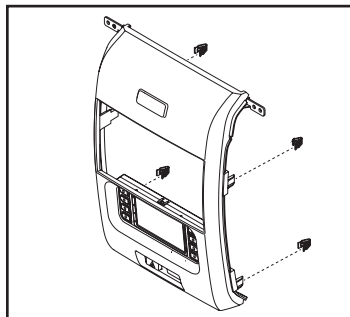
## KIT PREPARATION

1. Remove the factory module from the top of the sub-dash, then relocate it down to allow room for the aftermarket radio. The mounting brackets attached to the module will need to be bent outward to make room for the radio.
2. Unclip the traction control button from the factory radio/climate control panel, then clip it into the **radio trim panel with touchscreen display**. (Figure A)
3. Attach the (4) **panel clips** provided to the radio/display panel. (Figure B)

*Continue to Kit Assembly*



(Figure A)



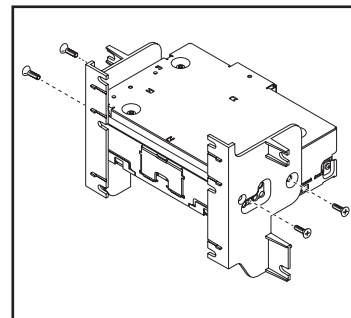
(Figure B)

## KIT ASSEMBLY

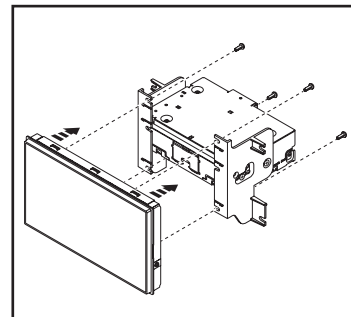
**Note:** For steps 1 and 2, reference the installation manual provided with the radio for which hardware to use. The display screen and radio chassis use two different types of screws.

1. Secure the **radio brackets** to the radio chassis using (4) screws supplied with the radio. (Figure A)
2. Secure the radio display to the **radio brackets** using (4) screws supplied with the radio. (Figure B)

*Continue to Axxess Interface Installation*



(Figure A)



(Figure B)

# AXXESS INTERFACE INSTALLATION

## INTERFACE FEATURES

---

- Provides accessory power (12-volt 10-amp)
- Retains R.A.P. (retained accessory power)
- Provides NAV outputs (parking brake, reverse, speed sense)
- Retains audio controls on the steering wheel
- Retains SYNC®
- Retains the factory backup camera
- Retains balance and fade
- Micro-B USB updatable

## INTERFACE COMPONENTS

---

- Axxess interface (built into the touchscreen display)
- Main harness
- 16-pin harness with stripped leads
- Backup camera harness
- 4-pin harness with yellow RCA jacks
- Hazard harness

## TABLE OF CONTENTS

---

Connections .....	5-6
Installation .....	6
Programming .....	7
Extra features (SYNC).....	7
Touchscreen display operation.....	8-9
Steering wheel control settings .....	10-11
Troubleshooting.....	11

## TOOLS REQUIRED

---

- Wire cutter • Crimp tool • Solder gun • Tape
- Connectors (example: butt-connectors, bell caps, etc.)

## CONNECTIONS

### From the 16-pin harness with stripped leads to the aftermarket radio:

- Connect the **Red** wire to the accessory wire.
- If equipped with a factory subwoofer, connect the **Blue/White** wire to the amp turn on wire.
- Connect the **Orange/White** wire to the illumination (lighting switch) wire.
- Connect the **Gray** wire to the right front positive speaker output.
- Connect the **Gray/Black** wire to the right front negative speaker output.
- Connect the **White** wire to the left front positive speaker output.
- Connect the **White/Black** wire to the left front negative speaker output.
- Connect the **Green/Purple** wire to the reverse wire.
- Connect the **Light Green** wire to the parking brake wire.
- Tape off and disregard the following (6) wires, they will not be used in this application: **Blue/Pink, Brown, Green, Green/Black, Purple, Purple/Black**

### From the main harness to the aftermarket radio:

- Connect the **Black** wire to the ground wire.
- Connect the **Yellow** wire to the battery wire.
- Connect the **Green** wire to the left rear positive speaker output.
- Connect the **Green/Black** wire to the left rear negative speaker output.
- Connect the **Purple** wire to the right rear positive speaker output.
- Connect the **Purple/Black** wire to the right rear negative output.
- Tape off and disregard the following (1) wire, it will not be used in this application: **Blue**
- **For models with SYNC®:** Connect the **Red** and **White** RCA jacks labeled “RSE/SYNC/SAT” to the **audio input** jacks from the aftermarket radio.
- **For models without SYNC®:** Connect the **Red** and **White** RCA jacks labeled “FROM 3.5” to the **audio input** jacks from the aftermarket radio.
- Disregard the DIN jack, it will not be used in this application.

*Continued on the next page*

## CONNECTIONS (CONT)

### 3.5mm jack - steering wheel control retention:

The 3.5mm jack is to be used to retain audio controls on the steering wheel control.

- Connect the 3.5mm jack into the **wired remote input** from the aftermarket radio. Refer to the manual provided with the radio if in doubt as to where the 3.5mm jack goes to.

### From the backup camera harness to the aftermarket radio:

There are two different methods for connecting the factory backup camera.

#### If retaining the camera to the aftermarket radio is desired:

- Connect the **Yellow RCA jack** to the **rear view camera input** from the aftermarket radio.

#### If retaining the camera to the touchscreen display is desired:

- Connect the **Yellow RCA jack**, to the **Yellow RCA jack** from the **4-pin harness with yellow RCA jacks** labeled “Rearview camera”.

**Note:** If this method is chosen, the backup camera option must be enabled in the **Configuration Settings**.

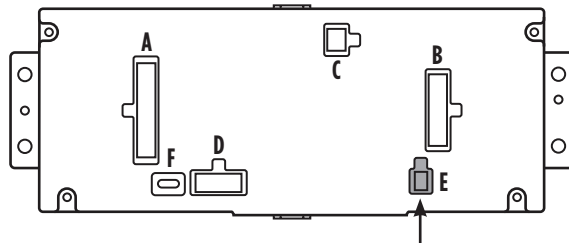
- Disregard the **Yellow RCA jack** from the **4-pin harness with yellow RCA jacks** labeled “AUX video”, it will not be used in this application.

## INSTALLATION

It is highly advisable to read the following steps beforehand, to ensure a clear understanding of what is to be expected. The following steps must be done in the order that they are numbered.

### With the vehicle completely off:

1. Connect the **16-pin harness with stripped leads** into port “B” in the touchscreen display.
2. Connect the **main harness** to the wiring harnesses in the vehicle. These harnesses are the ones removed in step 4 of dash disassembly. Then insert the **main harness** into port “A” in the touchscreen display. But do not install this harness until exactly before step 1 from the **Programming** section. This is a timed process.
3. Connect the **4-pin harness with yellow RCA jacks** into port “C” in the touchscreen display.
4. Connect the hazard harness into port “D” in the touchscreen display and then to the wiring harness in the vehicle. This is the harness removed in step 3 of dash disassembly.
5. Disregard port “E”, it will not be used in this application.
6. Port “F” is an update port for future firmware upgrades.



**Note:** DO NOT CONNECT!

## PROGRAMMING

1. Refer to step 2 from the **Installation** section.
2. Press the push-to-start button to start the vehicle.
3. Program the kit:
  - a. Once the touchscreen display loads up, select the vehicle type.
  - b. Wait until the radio comes on, and the touchscreen display shows **SWC Configured\***. This process may take up to 3 minutes..

**Note:** If the touchscreen display does not load up, or the radio doesn't come on within 3 minutes, and/or the touchscreen display does not show **SWC Configured\***, check all connections, then reset the interface and try again. Refer to the **Troubleshooting** section.

\* For models with steering wheel controls.
4. Cycle the key off. If the driver's door is closed, open and close the door. Cycle the key back on.
5. Test all functions of the installation for proper operation, before reassembling the dash.

## FINAL ASSEMBLY

1. Secure the completed radio assembly to the dash using the factory hardware.
2. Snap the **radio trim panel with touchscreen display** over the radio, then reassemble the dash in reverse order of disassembly to complete the installation.

## EXTRA FEATURES

### SYNC:

If the vehicle is equipped with SYNC, the 108-FD2B can retain this feature.

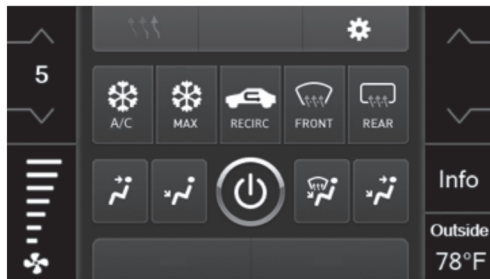
1. Change the source of the radio to AUX.
2. Press the **Info** button on the touchscreen display to enter the SYNC menu.
  1. Press the climate icon to get back to the main menu.

## TOUCHSCREEN DISPLAY OPERATION

### Climate Control screen



Automatic climate controls



Manual climate controls

- This is the climate control screen which will be displayed on the touchscreen display. This is considered the **Main Menu**.
- The upper left tab with (3) arrows will take you to the screen where the **Heated/Cooled Seats** are now placed, if applicable.
- The upper right tab with the gear icon will take you to the **Configuration Settings** screen.
- **Auto climate models:** The climate controls will function in the same manner that they did with the factory climate controls.
- **Manual climate models:** The climate controls will function in the same manner that they did with the factory climate controls, yet via touchscreen buttons instead. The temperature control will display a numerical scale, with “LO” being the coldest, and “HI” being the hottest: LO / 1-9 / HI

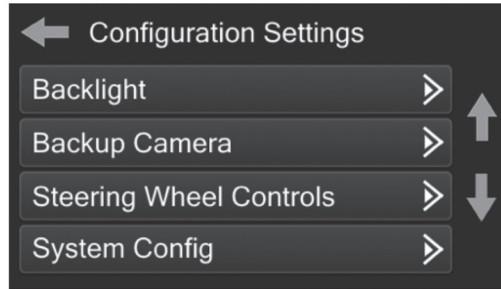
**Note:** The “Info” button will only be shown if SYNC is to be retained.

*Continued on the next page*



# TOUCHSCREEN DISPLAY OPERATION (CONT.)

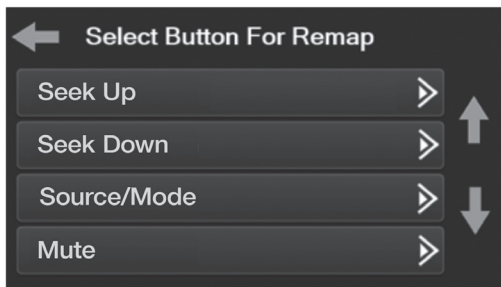
## Configuration Settings



- **Backlight**
  - For controlling the color of the buttons and back-light intensity.
- **Backup Camera**
  - Enable/disables the backup camera image to the touchscreen display. Disabled by default.
- **Steering Wheel Controls**
  - Remap Buttons – For remapping the steering wheel control buttons
  - Dual Assign – For dual assigning the steering wheel control buttons (long button press)
  - Select Radio – For auto detecting the radio, or changing the radio type
- **System Configuration**
  - About - Information regarding the software in the kit
  - Vehicle Config - Provides the ability to disable/enable certain factory options
  - Reset Vehicle Type - To reset the kit to default settings

## STEERING WHEEL CONTROL SETTINGS

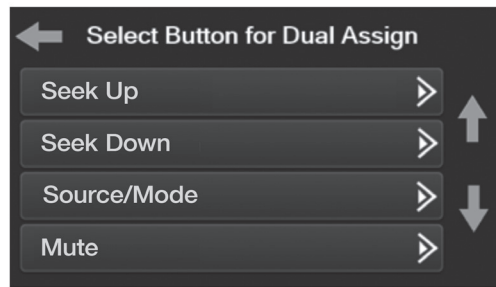
### Remap Buttons



- The interface has the ability to change the button assignment for the steering wheel control audio buttons, except Volume-Up and Volume-Down. Follow the prompts on the touchscreen display to remap the steering wheel control audio button(s) to your liking.

**Note:** The aftermarket radio may not have all of these commands. Please refer to the manual provided with the radio, or contact the radio manufacturer, for specific commands recognized by that particular radio.

### Dual Assign



- The interface has the capability to assign two functions to a single button, except Volume-Up and Volume-Down. Follow the prompts on the touchscreen display to program the button(s) to your liking.

**Note:** Seek-Up and Seek-Down come programmed as Preset-Up and Preset-Down for a long button press.

*Continued on the next page*

### Select Radio



- To show which brand radio is “auto detected” to the interface, press the “Autodetect” button. The radio detected will have a filled in circle. If the incorrect radio is shown, select Pioneer.

**Note:** If the interface shows an Alpine radio, that means the interface does not detect a radio connected to it, i.e., an open connection. Verify that the 3.5mm jack is connected to the correct steering wheel jack in the radio.

### Resetting the interface

#### Option # 1

1. With everything connected and the car running.
2. Hold the bottom (2) buttons for 3 seconds, then release. (Figure A)  
(The screen will turn black and then put you in the vehicle selection screen)
3. Select your vehicle and wait till the “SWC Configured “ appears on the screen.
4. Turn ignition off and start vehicle, then test your interface.

#### Option #2

1. With the vehicle running, press the **Reset Vehicle Type** button mentioned in **System Configuration**.
2. Refer to **Programming**, step 3, from this point.



(Figure A)



# 108-FD2B

INSTALLATION INSTRUCTIONS



If you are having difficulties with the installation of this product, contact our Tech Support line either by phone at **1-800-253-TECH**, or email at **techsupport@metra-autosound.com**. Before doing so, look over the instruction booklet a second time and ensure that the installation was performed exactly as the instruction booklet is stated. Have the vehicle apart and ready to perform troubleshooting steps before contacting Metra/Axxess Tech Support.



### KNOWLEDGE IS POWER

Enhance your installation and fabrication skills by enrolling in the most recognized and respected mobile electronics school in our industry. Log onto [www.installerinstitute.com](http://www.installerinstitute.com) or call 800-354-6782 for more information and take steps toward a better tomorrow.



Metra recommends MECP certified technicians