



Mazda CX-3 2016-2020 Toyota Yaris 2019-2020

Visit MetraOnline.com for more detailed information about the product and up-to-date vehicle specific applications

KIT FEATURES

- ISO DDIN radio provision †
- Pioneer modular DDIN radio provision ‡



† Kit designed for "L" shaped aftermarket radio, with chassis at bottom

‡ Pioneer radios DMH-C2550NEX and DMH-C2500NEX

KIT COMPONENTS

- A) Trim panel • B) Back panel • C) Radio bracket • D) Pioneer brackets • E) Panel clips (2) • F) Flat-head radio screws (8)

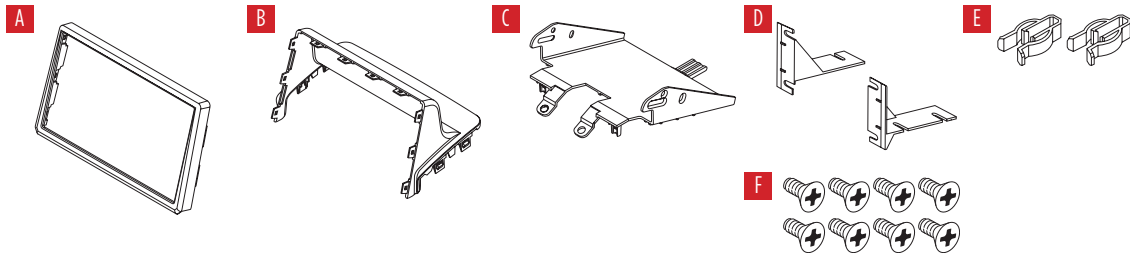


TABLE OF CONTENTS

Dash Disassembly	2
Kit Preparation	3
Kit Assembly	
–ISO DDIN radio provision.....	4-5
–Pioneer modular DDIN radio provision	6-7

WIRING & ANTENNA CONNECTIONS (sold separately)

Wire harness: 70-7903L, 70-7905

Antenna adapter: 40-HD10L

Steering wheel control:

Go to AXXESSINTERFACES.COM for options

TOOLS REQUIRED

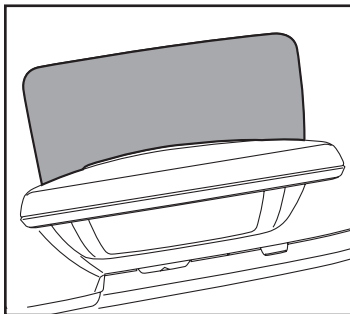
- Panel removal tool • Phillips screwdriver
- 10mm Socket wrench

Attention! Let the vehicle sit with the key out of the ignition for a few minutes before removing the factory radio. When testing the aftermarket equipment, ensure that all factory equipment is connected before cycling the key to ignition.

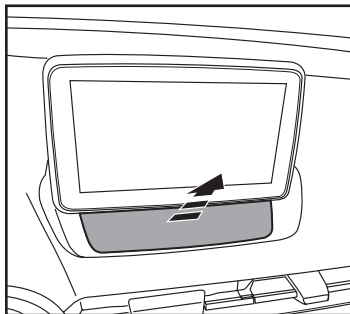
DASH DISASSEMBLY

1. Unclip and remove the panel on the top of the dash behind the radio display. (Figure A)
2. Unclip and remove the panel on the top of the dash in front of the radio display. (Figure B)
3. Remove (2) 10mm bolts securing the radio. Slide the radio out, then unplug and remove. (Figure C)

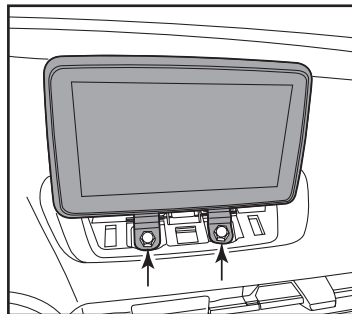
Continue to Kit Preparation



(Figure A)



(Figure B)

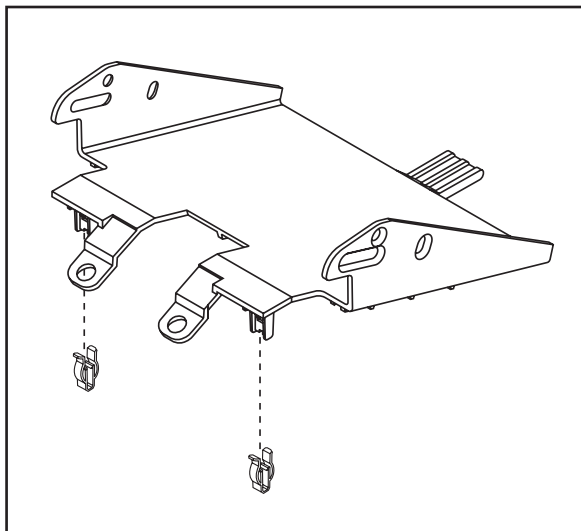


(Figure C)

KIT PREPARATION

1. Attach (2) **panel clips** provided to the **radio bracket**. (Figure A)

Continue to Kit Assembly



(Figure A)

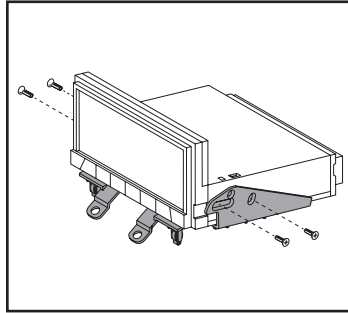
KIT ASSEMBLY

ISO DDIN radio provision

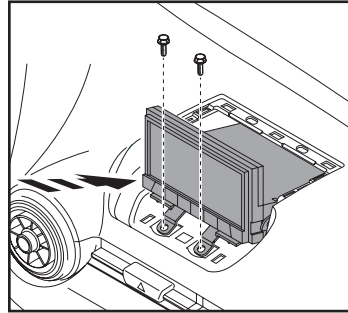
1. Secure the **radio bracket** to the radio using screws supplied with the radio. (Figure A)

Note: Radio chassis screws must be flush. Screws are provided if needed.

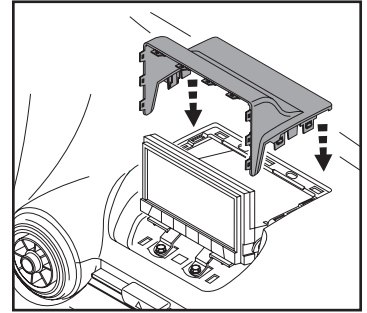
2. Slide the radio bracket assembly into the dash opening. The rear of the bracket should go into the rear support slot in the dash. (Figure B)
3. Secure at the front with the factory hardware. (Figure B)
4. Clip the **back panel** over the radio. (Figure C)



(Figure A)



(Figure B)

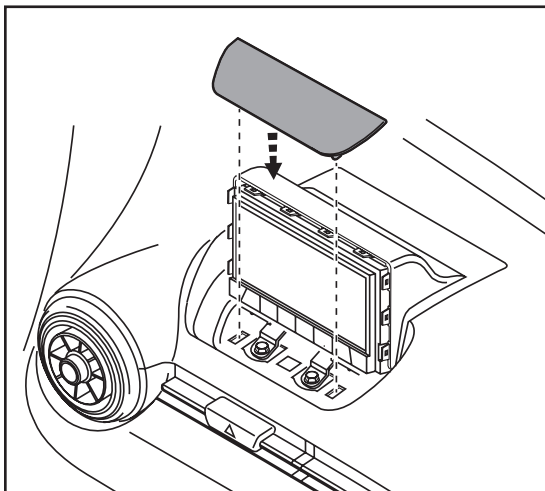


(Figure C)

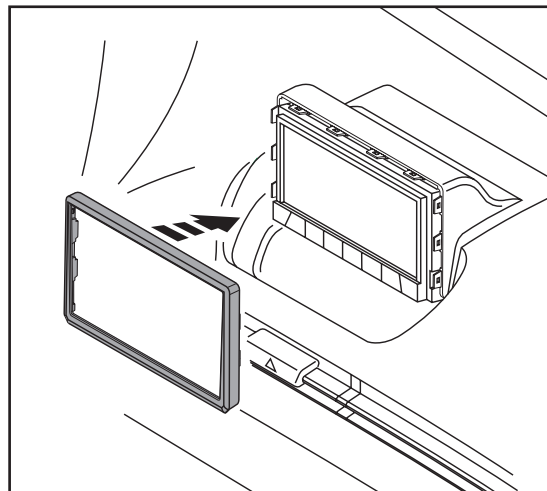
Continued on the next page

KIT ASSEMBLY (CONT.)

5. Clip the panel in front of the radio to the dash. (Figure D)
6. Clip the **trim panel** to the back panel over the face of the radio. (Figure E)



(Figure D)



(Figure E)

KIT ASSEMBLY

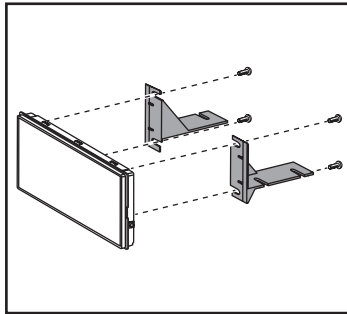
Pioneer Modular DDIN radio provision

Note: For step 1 reference the installation manual provided with the radio for which hardware to use. The display screen and radio chassis use two different types of screws.

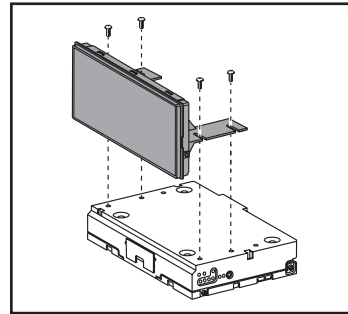
1. Secure the Pioneer chassis and display screen to the **Pioneer brackets** using (8) screws supplied with the radio. (Figures A and B)
2. Connect the RGB extension cable to the display and chassis.
3. Secure the **radio bracket** to the radio using screws supplied with the radio. (Figure C)

Note: Radio chassis screws must be flush. Screws are provided if needed.

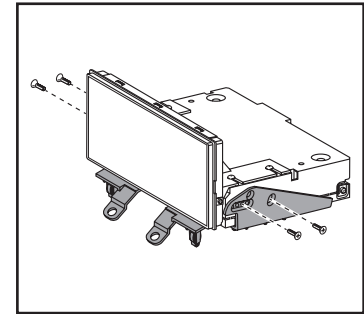
Continued on the next page



(Figure A)



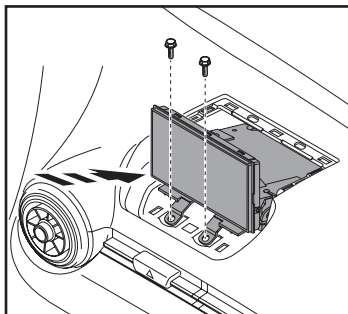
(Figure B)



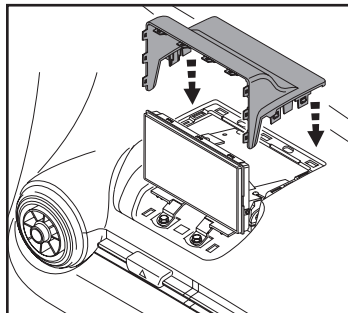
(Figure C)

KIT ASSEMBLY (CONT.)

- Slide the radio bracket assembly into the dash opening. The rear of the bracket should go into the rear support slot in the dash. (Figure D)
- Secure at the front with the factory hardware. (Figure D)
- Clip the **back panel** over the radio. (Figure E)

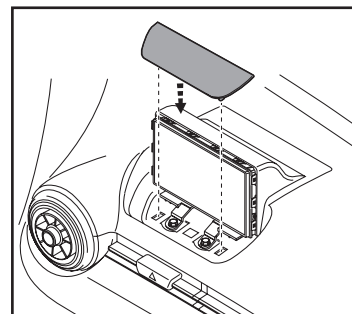


(Figure D)

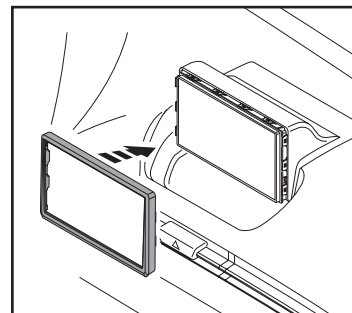


(Figure E)

- Clip the panel in front of the radio to the dash. (Figure F)
- Clip the **trim panel** to the **back panel** over the face of the radio. Clip the panel in front of the radio to the dash. (Figure G)



(Figure F)



(Figure G)



107-MZ1B

INSTALLATION INSTRUCTIONS



Having difficulties? We're here to help.



Contact our Tech Support line at:

386-257-1187



Or via email at:

techsupport@metra-autosound.com

Tech Support Hours (Eastern Standard Time)

Monday - Friday: 9:00 AM - 7:00 PM

Saturday: 10:00 AM - 7:00 PM

Sunday: 10:00 AM - 4:00 PM



KNOWLEDGE IS POWER

Enhance your installation and fabrication skills by enrolling in the most recognized and respected mobile electronics school in our industry. Log onto www.installerinstitute.com or call 800-354-6782 for more information and take steps toward a better tomorrow.



**Metra recommends MECP
certified technicians**