



## Hyundai Sonata 2020-2023

Visit [MetraOnline.com](https://www.MetraOnline.com) for more detailed information about the product and up-to-date vehicle specific applications

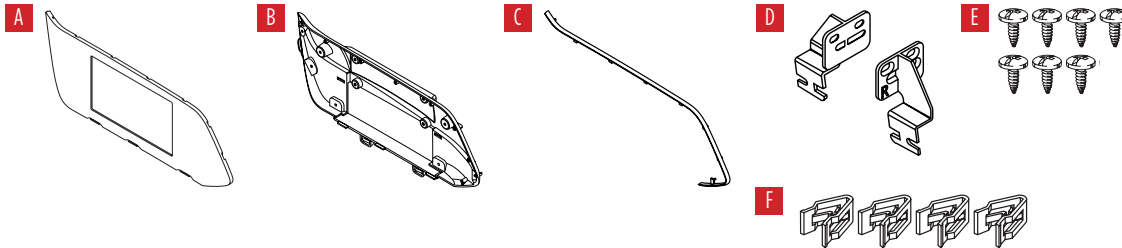
### KIT FEATURES

- Designed specifically for Pioneer modular 6.8" radios like the DMH-C2550NEX and DMH-C2500NEX. (Refer to the radio manufacturer for current models)
- Painted to match factory with a gloss black face, bright silver trim, and matte black back plate.

**Note** – Pioneer extension cable required for installation. Sold separately.

### KIT COMPONENTS

- A) Front panel • B) Back panel • C) Silver trim • D) Brackets • E) #8 x 3/8" Phillips screws (7) • F) Panel clips (4)



### TABLE OF CONTENTS

Dash Disassembly .....	2
Kit Assembly .....	3

### WIRING & ANTENNA CONNECTIONS (sold separately)

Wiring Harness: Visit [metraonline.com](https://www.metraonline.com) for audio/video and steering wheel control interface options.  
Antenna Adapter: 40-K110

### TOOLS REQUIRED

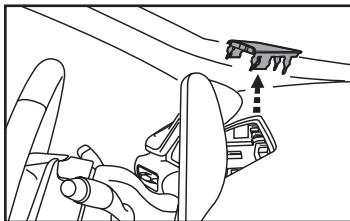
- Panel removal tool
- Phillips screwdriver

**ATTENTION:** With the key out of the ignition, disconnect the negative battery terminal before installing this product. Ensure that all installation connections, especially the air bag indicator lights, are plugged in before reconnecting the battery or cycling the ignition to test this product.

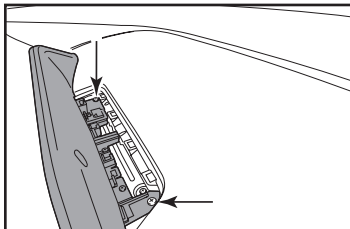
**NOTE:** Refer also to the instructions included with the aftermarket radio.

## DASH DISASSEMBLY

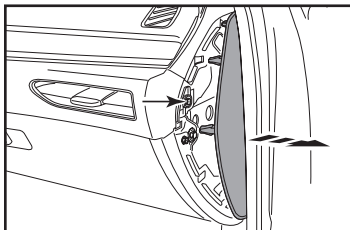
1. Unclip the trim behind the radio and remove (2) Phillips screws exposed. (Figures A,B)
2. Open the passenger door, then remove the trim panel from the side of the dashboard. Remove (1) Phillips screw exposed. (Figure C)
3. Unclip and remove the trim directly below the radio. (Figure D)



(Figure A)



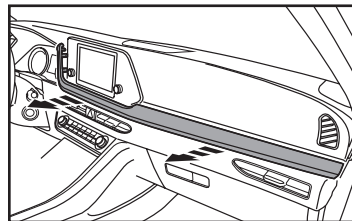
(Figure B)



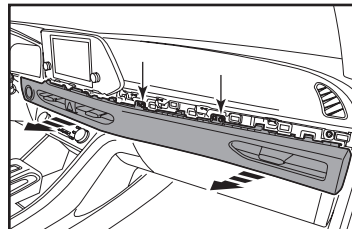
(Figure C)

4. Remove (2) Phillips screws securing the a/c vent panel, then unclip, unplug, and remove. (Figure E)
5. Remove (3) screws securing the radio. Unclip and slide the radio out, then unplug and remove. (Figure F)

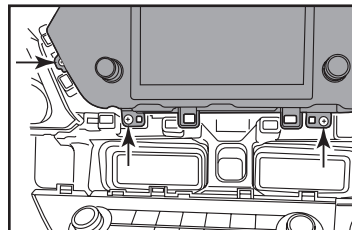
*Continue to Kit Preparation*



(Figure D)



(Figure E)



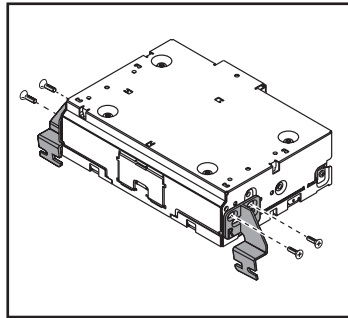
(Figure F)

## KIT ASSEMBLY

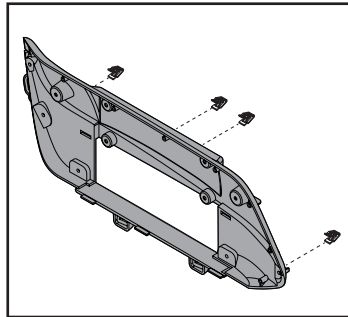
### Pioneer Modular DDIN radio provision

**Note:** For steps 1 and 2, reference the installation manual provided with the radio for which hardware to use. The display screen and radio chassis use two different types of screws.

1. Secure the **brackets** to the radio chassis using (4) screws supplied with the radio. (Figure A)
2. Locate the factory wiring harness and antenna connector in the dash and complete all necessary connections to the radio. Metra recommends using the proper mating adapter from Metra and/or Axxess.
3. Slide the radio assembly into the dash, then secure using the factory screws. (**NOTE** – route screen cable to be connected later)
4. Connect Pioneer extension cable to the radio display screen.

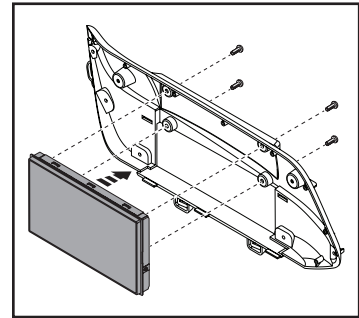


(Figure A)

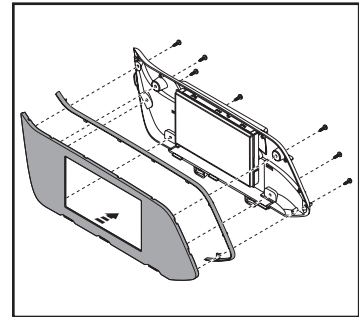


(Figure B)

5. Attach the (4) panel clips to the **back panel** (Figure B)
6. Secure the radio screen display to the **back panel** using (4) of the screws supplied with the radio. (Figure C)
7. Place the **silver trim** between the **back panel** and the **front panel**. Assemble together using (7) of the included #8 x 3/8" screws. (Figure D)
8. Connect the radio display to the radio chassis, clip the assembly into the dash, and secure with the factory hardware.
9. Reassemble the dash in reverse order of disassembly to complete the installation.



(Figure C)



(Figure D)



# 107-HY1

INSTALLATION INSTRUCTIONS



Having difficulties? We're here to help.



Contact our Tech Support line at:

**386-257-1187**



Or via email at:

[techsupport@metra-autosound.com](mailto:techsupport@metra-autosound.com)

### Tech Support Hours (Eastern Standard Time)

Monday - Friday: 9:00 AM - 7:00 PM

Saturday: 10:00 AM - 5:00 PM

Sunday: 10:00 AM - 4:00 PM



**Metra recommends MECP  
certified technicians**