



Dodge **Charger 2006-2007** **Magnum 2005-2007** (without factory NAV)

KIT FEATURES

- ISO DIN radio provision with pocket
- ISO DDIN radio provision
- Painted matte black (99-6548B), silver (99-6548S) or carbon fiber (99-6548CF)

KIT COMPONENTS

- A) Radio/climate-control trim panel
- B) Radio brackets
- C) Pocket
- D) Panel clips
- E) #8 x 3/8" Phillips screws (4)

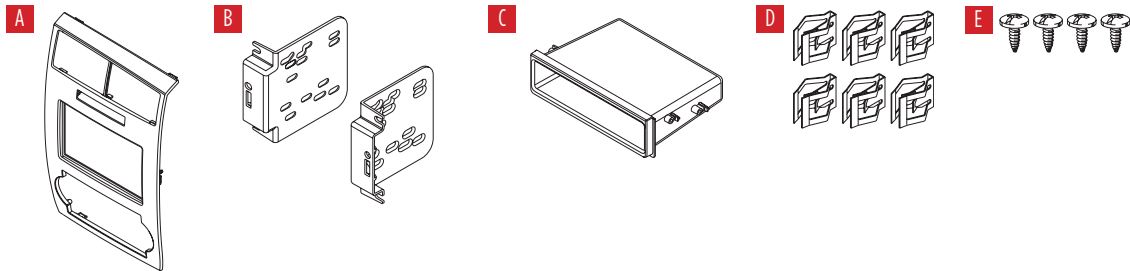


TABLE OF CONTENTS

Dash Disassembly	2
Kit Assembly	
–ISO DIN radio provision with pocket	3
–ISO DDIN radio provision.....	4

WIRING & ANTENNA CONNECTIONS (sold separately)

Wiring Harness:

- AXVI-6502 (A)
- AXTO-CH1 or AXTO-CH13

Antenna Adapter: 40-CR10

TOOLS REQUIRED

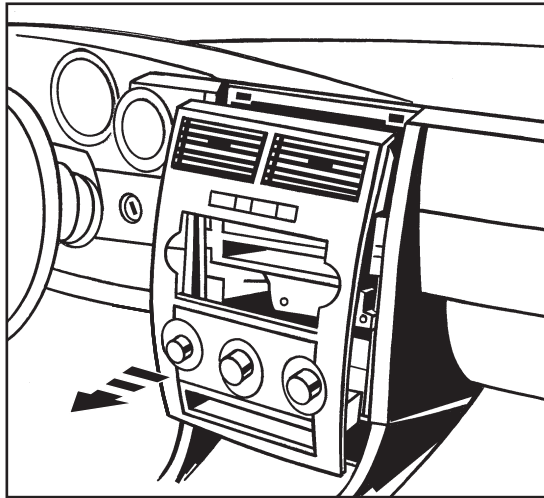
- Panel removal tool
- Phillips screwdriver
- 9/32" Socket wrench

ATTENTION: With the key out of the ignition, disconnect the negative battery terminal before installing this product. Ensure that all installation connections are secure before cycling the ignition to test this product.
NOTE: Refer also to the instructions included with the aftermarket radio.

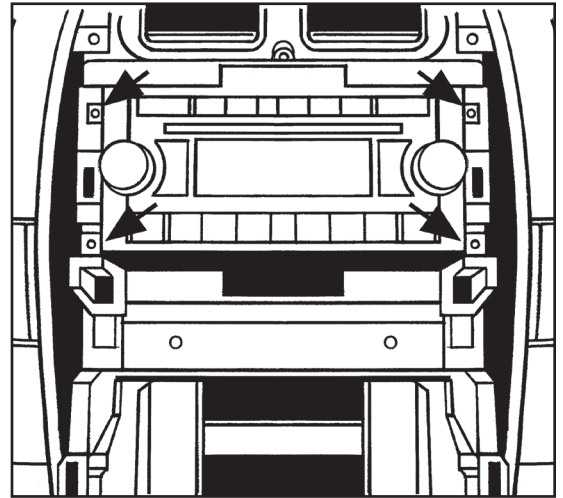
DASH DISASSEMBLY

1. Using the panel removal tool, carefully unclip and remove the entire panel surrounding radio and climate controls, including the A/C vents. (Figure A)
2. Remove (4) 7mm screws securing the radio, disconnect the wiring, and then remove the radio. (Figure B)
3. Remove factory vents and climate panel from the factory radio panel and transfer to the 99-6548 radio/ climate-control trim panel using the factory screws.

Continue to Kit Assembly



(Figure A)

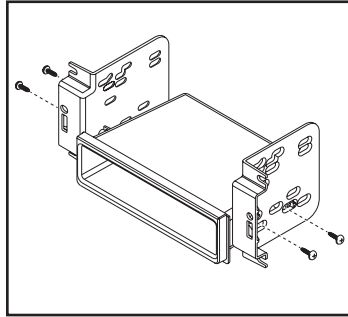


(Figure B)

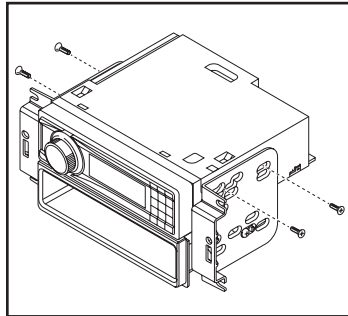
KIT ASSEMBLY

ISO DIN radio provision with pocket

1. Secure the *pocket* to the *radio brackets* using the (4) #8 x 3/8" Phillips screws provided. (Figure A)
2. Remove the metal DIN sleeve and trim ring from the aftermarket radio.
3. Slide the radio into the bracket/pocket assembly, and then secure it using the screws supplied with the radio. (Figure B)

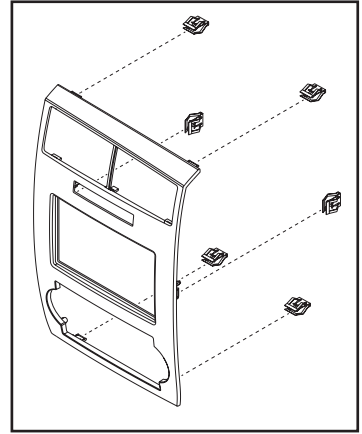


(Figure A)



(Figure B)

4. Attach the (6) panel clips provided with this kit onto the 99-6548 radio/climate control trim panel. (Figure C)
5. Locate the factory wiring harness and antenna connector in the dash and complete all necessary connections to the radio. Metra recommends using the proper mating adapter from Metra and/or Axxess.
6. Reconnect the negative battery terminal and test the aftermarket radio for proper operation.
7. Secure the radio assembly to the dash using the factory screws.
8. Reassemble the dash in reverse order of disassembly using the 99-6548 radio/climate control trim panel to complete the installation.

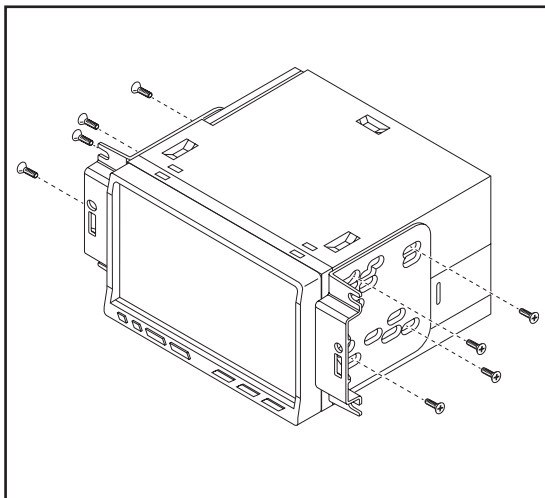


(Figure C)

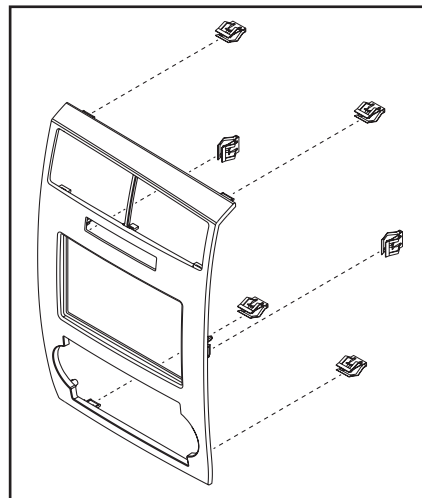
KIT ASSEMBLY

ISO DDIN radio provision

1. Secure the *radio brackets* to the radio using the screws supplied with the radio. (Figure A)
2. Attach the (6) panel clips provided onto the 99-6548 radio/climate control trim panel. (Figure B)
3. Locate the factory wiring harness and antenna connector in the dash and complete all necessary connections to the radio. Metra recommends using the proper mating adapter from Metra and/or Axxess.
4. Reconnect the negative battery terminal and test the aftermarket radio for proper operation.
5. Secure the radio assembly to the dash using the factory screws.
6. Reassemble the dash in reverse order of disassembly using the 99-6548 radio/climate control trim panel to complete the installation.



(Figure A)



(Figure B)







Lined writing area on the left side of the page.

Lined writing area on the right side of the page.



99-6548
INSTALLATION INSTRUCTIONS



Having difficulties? We're here to help.



Contact our Tech Support line at:

386-257-1187



Or via email at:

techsupport@metra-autosound.com

Tech Support Hours (Eastern Standard Time)

Monday - Friday: 9:00 AM - 7:00 PM

Saturday: 10:00 AM - 7:00 PM

Sunday: 10:00 AM - 4:00 PM



KNOWLEDGE IS POWER

Enhance your installation and fabrication skills by enrolling in the most recognized and respected mobile electronics school in our industry. Log onto www.installerinstitute.com or call 800-354-6782 for more information and take steps toward a better tomorrow.



Metra recommends MECP certified technicians